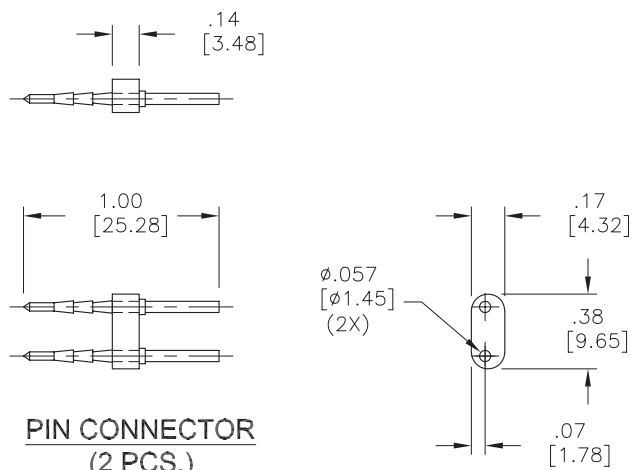
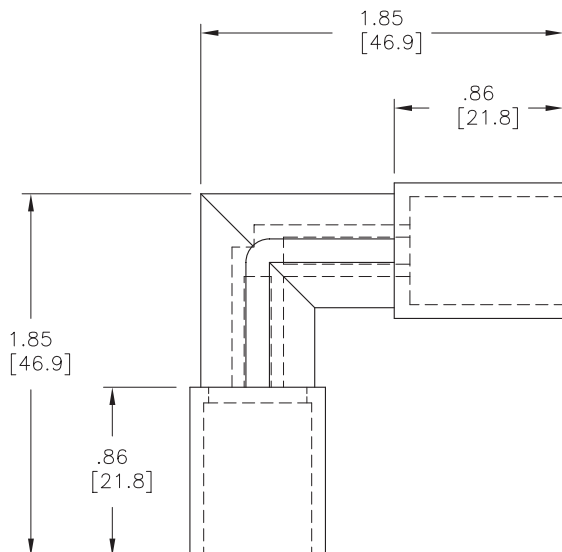
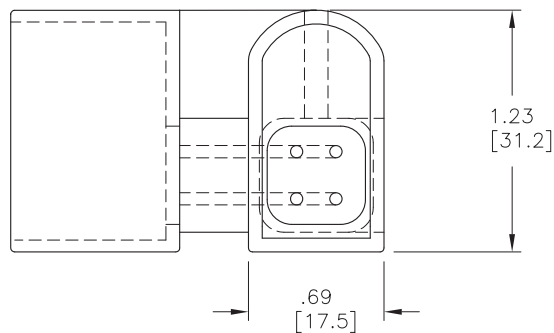
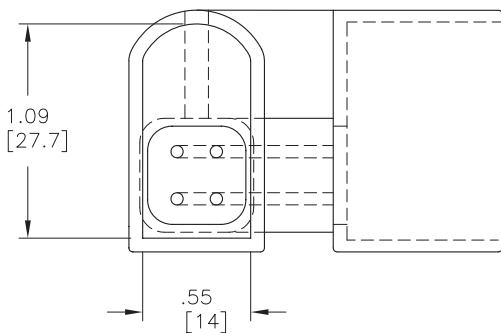


LTR	REVISION	DATE	APPD
-	RELEASED	11-25-08	



**PIN CONNECTOR**  
(2 PCS.)



**"L" CORNER CONNECTOR**



**NOTES:**

MATERIAL: PVC, UV PROTECTED  
 COLOR: TRANSPARENT  
 INDOOR/OUTDOOR USE.

REVISION NOTIFICATION	
<input type="checkbox"/>	PMA
<input type="checkbox"/>	UL
<input type="checkbox"/>	CUSTOMER _____
<input type="checkbox"/>	OTHER

**LED**<sup>®</sup>  
 LEDTRONICS,™ INC.  
 23105 KASHIWA COURT  
 TORRANCE, CA 90505

**-PROPRIETARY-**  
 This document contains Proprietary information of LEDTRONICS,™ INC. It may not be copied, used or disclosed for any purpose without the prior express written consent of LEDTRONICS,™ INC.

.XXX ± .010 TOLERANCE PER ANSI-Y14.5  
 .XX ± .025 (UNLESS OTHERWISE STATED)  
 ANGLES ± 0°,30'  
 FRACT. ± 1/32

TITLE						
<b>RNLD04U-008</b>						
DWG NO	SCALE	SHEET	DATE			
RL04013-REC	1:1	1 OF 1	11-25-08			
CODE IDENT NO.	DWG BY	CHK BY	QA	MFG	CUSTOMER	
8Z410	GP	PL	12-01-08			