

### Specifications

Insulation Resistance: 1,000MΩ min.  
 Withstanding Voltage: 500V AC rms for 1 minute  
 Contact Resistance: 40mΩ max. (initial resistance)  
 Voltage Rating: 250V AC  
 Current Rating: 0.5A  
 Operating Temp. Range: -20°C to +60°C

### Materials and Finish

Contact: PB / Ni-Au  
 Insulator Base: PA, black  
 Cover: Stainless Steel

### Features

- SMT type terminals
- Acceptable for automation mounting machine
- Space saving design and low profile (2.9mm height)



### Part Number (Details)

CN015 RZ - 31 2 3 - 0

Series No.

RZ = 3.3V for SmartMedia Card (3.3V)

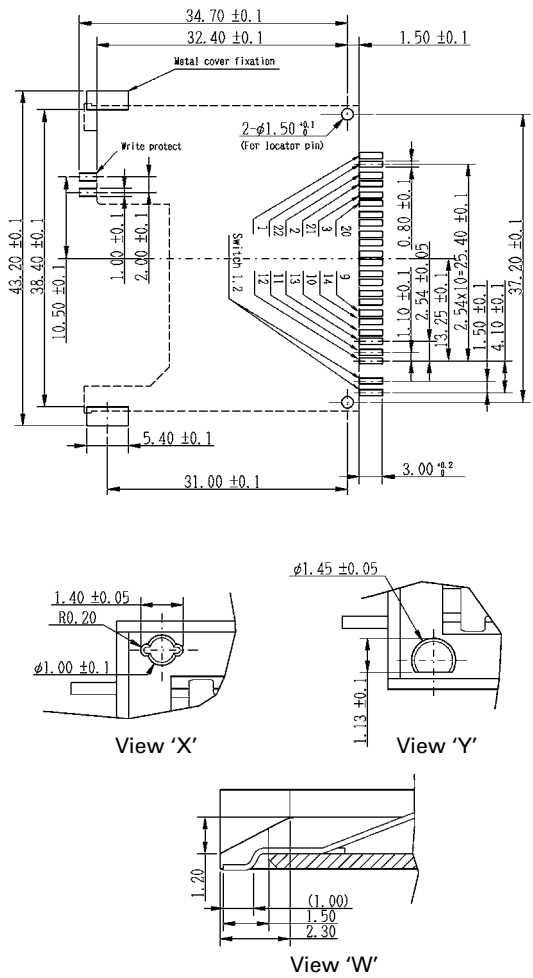
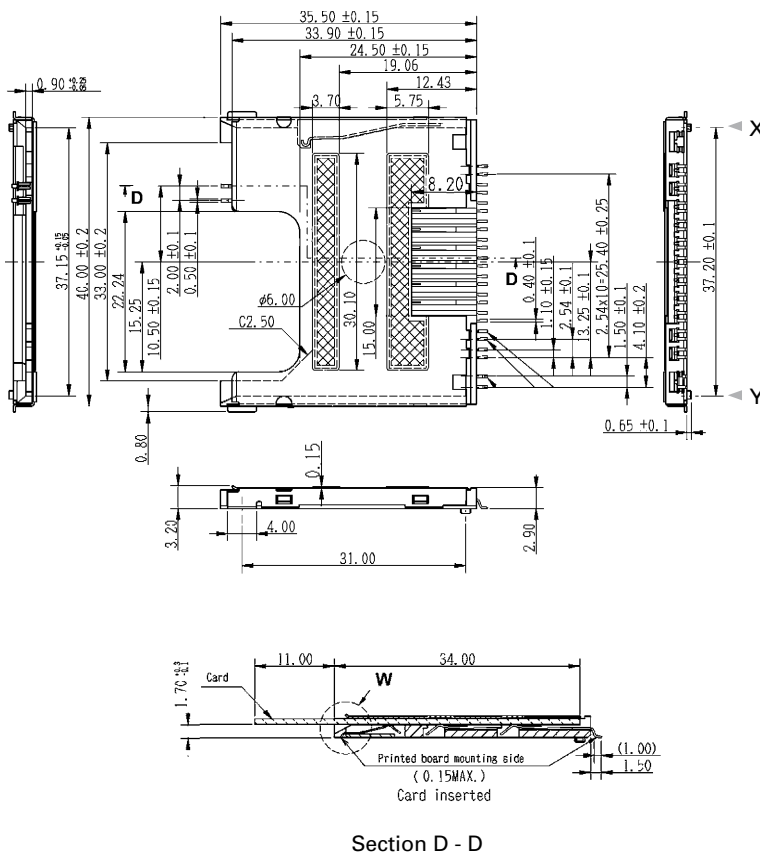
Type 31

PCB Mounting: 3 = SMT Fixing Metal Pads

Height of Stand-off:  
 0 = 0.0mm

### Type 31 with SMT Metal Pads (3.3V)

### Recommended PCB Layout Top View



**Note:**  
 The Switch should be open when card is not inserted, and should be closed when card is inserted

### Function Table

Part Number	Voltage of SmartMedia	Ejector	Mis-insertion Protection	Sequential Contact	Write Protection Switch
CN015RZ-3123-0	3.3V	No	Yes	Yes	Yes

# CN015 Series - Type 31

# Direct Mounting with Metal Cover (w/o Ejector)

## Specifications

- Insulation Resistance: 1,000MΩ min.
- Withstanding Voltage: 500V AC rms for 1 minute
- Contact Resistance: 40mΩ max. (Initial resistance)
- Voltage Rating: 250V AC
- Current Rating: 0.5A
- Operating Temp. Range: -20°C to +60°C

## Materials and Finish

- Contact: Copper Alloy (contact position Gold Plating)
- Insulator Base: Synthetic Resin (black), UL94V-0
- Power Switch Contact: Copper Alloy (contact position Gold Plating)
- Polarity Key: Stainless Steel
- Cover: Stainless Steel

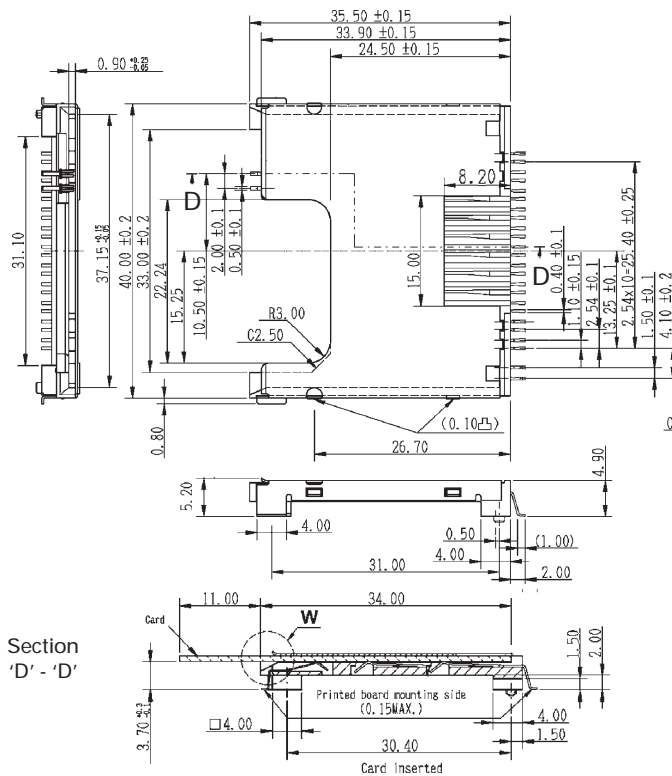


## Features

- ◇ SMT type terminals
- ◇ Acceptable for automation mounting machine
- ◇ Space saving design with 2.0mm Stand-off height



## Type 31 with SMT Metal Pads (3.3V)



## Part Number (Details)

CN015 RZ - 31 1 3 - 2

Series No.

RZ = 3.3V for SmartMedia Card (3.3V)

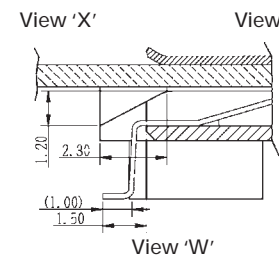
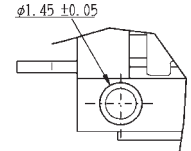
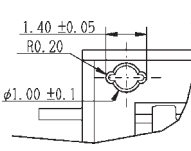
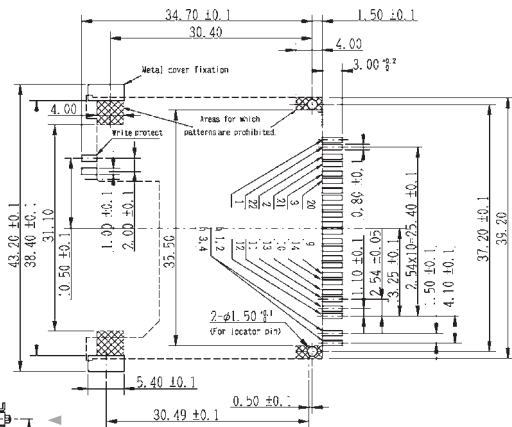
Type 31

PCB Mounting: 3 = SMT Fixing Metal Pads

Height of Stand-off = 2.00mm

## Recommended PCB Layout

Top View



**Info:**  
The Switch should be open when card is not inserted, and should be closed when card is inserted

## Function Table

Part Number	Voltage of SmartMedia	Ejector	Mis-insertion Protection	Sensor Switch (See Note)	Write Protection Switch	Pieces per Tray
CN015RZ-3113-2	3.3V	No	Yes	Yes	Yes	10 pcs.



# CN015 Series - Type 31

# Direct Mounting, Metal Cover (w/o Ejector)

## Specifications

Insulation Resistance: 1,000MΩ min.  
 Withstanding Voltage: 500V AC rms for 1 minute  
 Contact Resistance: 40mΩ max. (initial resistance)  
 Voltage Rating: 250V AC  
 Current Rating: 0.5A  
 Operating Temp. Range: -20°C to +60°C

## Materials and Finish

Contact: Copper Alloy (contact position Gold Plating)  
 Insulator Base: Synthetic Resin (black), UL94V-0  
 Power Switch Contact: Copper Alloy (contact position Gold Plating)  
 Polarity Key: Stainless Steel  
 Cover: Stainless Steel



## Features

- ◇ SMT type terminals
- ◇ Acceptable for automation mounting machine
- ◇ Space saving design and low profile (2.9mm height)



## Part Number (Details)

CN015 RZ - 31 2 3 - 0

Series No.

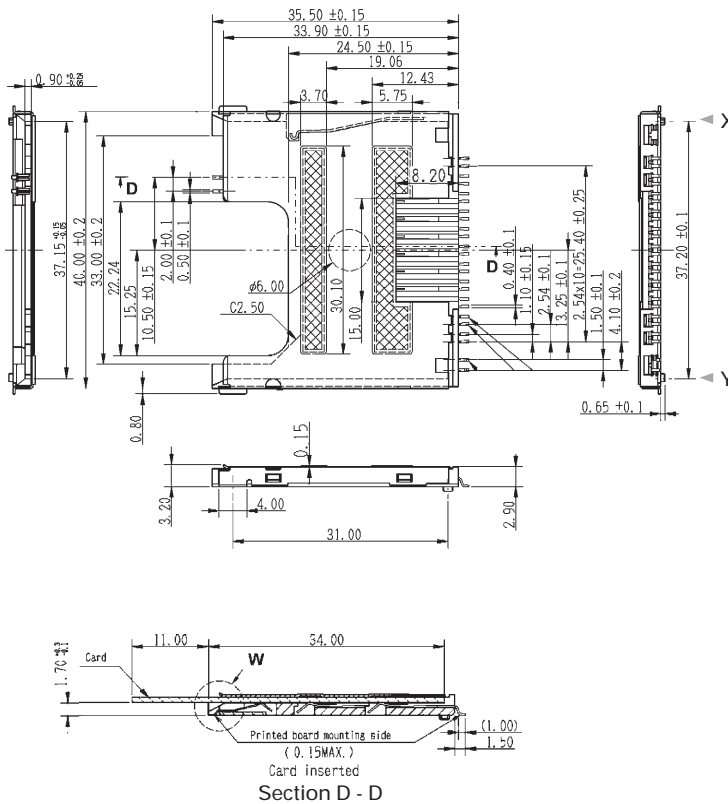
Applications:  
 RZ = 3.3V  
 for SmartMedia 3.3V

Type 31

PCB Mounting: 3 = SMT Fixing Metal Pads

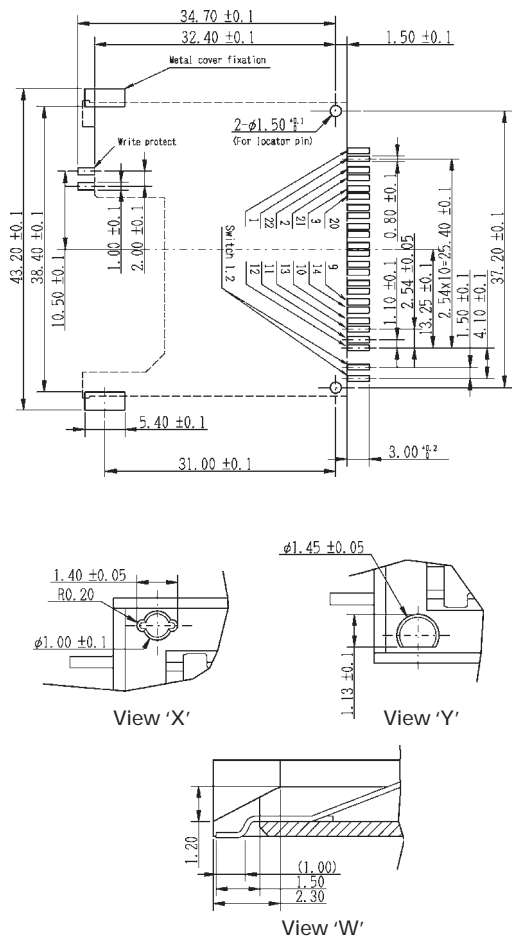
Height of Stand-off:  
 0 = 0.0mm

## Type 31 with SMT Metal Pads (3.3V)



## Recommended PCB Layout

Top View



**Note:**  
 The Switch should be open when card is not inserted,  
 and should be closed when card is inserted

## Function Table

Part Number	Voltage of SmartMedia	Ejector	Mis-insertion Protection	Sensor Switch (Note)	Write Protection Switch	Pieces per Tray
CN015RZ-3123-0	3.3V	No	Yes	Yes	Yes	10 pcs.