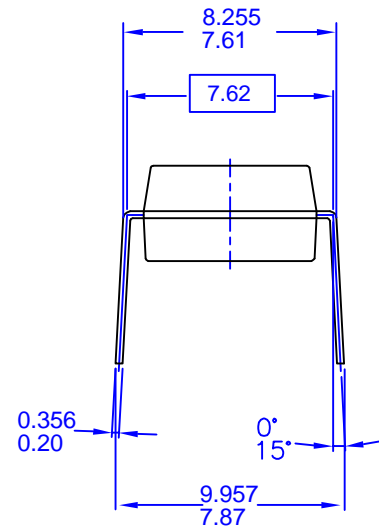
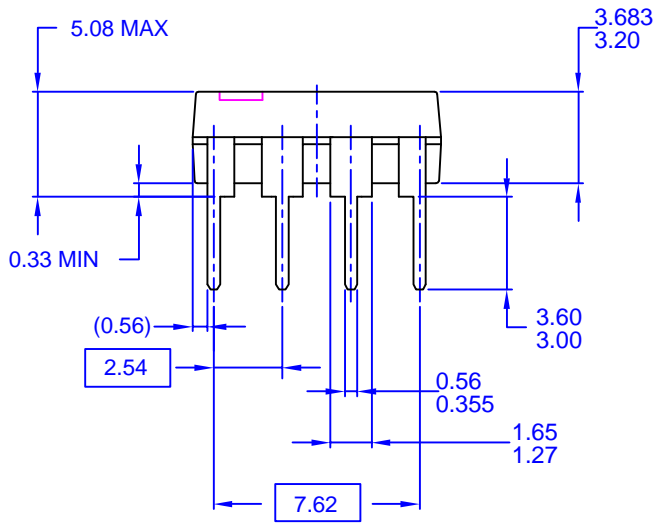
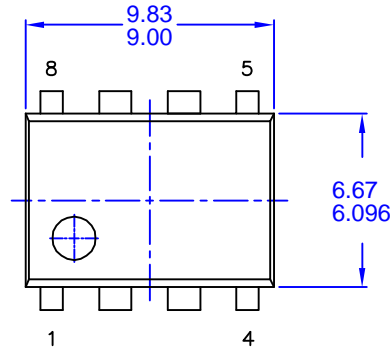


THIS DRAWING IS THE PROPERTY OF FAIRCHILD SEMICONDUCTOR CORPORATION. NO USE THEREOF SHALL BE MADE OTHER THAN AS A REFERENCE FOR PROPOSALS AS SUBMITTED TO FAIRCHILD SEMICONDUCTOR CORPORATION FOR JOBS TO BE EXECUTED IN CONFORMITY WITH SUCH PROPOSALS UNLESS THE CONSENT OF SAID FAIRCHILD SEMICONDUCTOR CORPORATION HAS PREVIOUSLY BEEN OBTAINED. NO PART OF THIS DRAWING SHALL BE COPIED OR DUPLICATED OR ITS CONTENTS DISCLOSED. THE INFORMATION CONTAINED ON THIS DRAWING IS CONFIDENTIAL AND PROPRIETARY.

REVISIONS

LTR	DESCRIPTION	E.D.C.N.	DATE	BY/APP'D
A	RELEASE TO DOCUMENT CONTROL		05APR2004	OS.JEON
2	Dimension Composition	ECN-MKT-N08FR2	2AUG 2007	H.ALLEN



- NOTES: UNLESS OTHERWISE SPECIFIED
- A) THIS PACKAGE CONFORMS TO JEDEC MS-001 VARIATION BA
  - B) ALL DIMENSIONS ARE IN MILLIMETERS.
  - C) DIMENSIONS ARE EXCLUSIVE OF BURRS, MOLD FLASH, AND TIE BAR EXTRUSIONS.
  - D) DIMENSIONS AND TOLERANCES PER ASME Y14.5M-1994
  - E) DRAWING FILENAME AND REVSION: MKT-N08FREV2.

APPROVALS		DATE	FAIRCHILD SEMICONDUCTOR		
DRAWN: J. H MOON		22MAY2007	8LD, MDIP, JEDEC MS-001 .300" WIDE		
CHECKED: J. H MOON		22MAY2007			
APPROVED: T. S KIM		22MAY2007			
		SCALE 1:1	SIZE NA	DRAWING NUMBER MKT-N08F	REV 2
		FORMERLY: N/A	SHEET : 1 OF 1		