



10 BASE-T LOW PASS FILTER TRANSMITTER & RECEIVER WITH COMMON CHOKES

APPLY TO GENERIC IC/POWER

P/N:PFS2028 DATA SHEET

Feature



- IEEE 802.3 and IEEE 802.5 compatible.
- Designed to meet AMD AM79C98, AT & T T7220 & NS DP83922 chip sets requirements.
- Integrated filter and isolation transformers in single 16 Pin SMD package.
- Low insertion loss characteristics.
- Cost effective designs.
- Operating temperature range: 0°C to +70°C.
- Storage temperature range: -25°C to +125°C.

Electrical Specifications @ 25°C

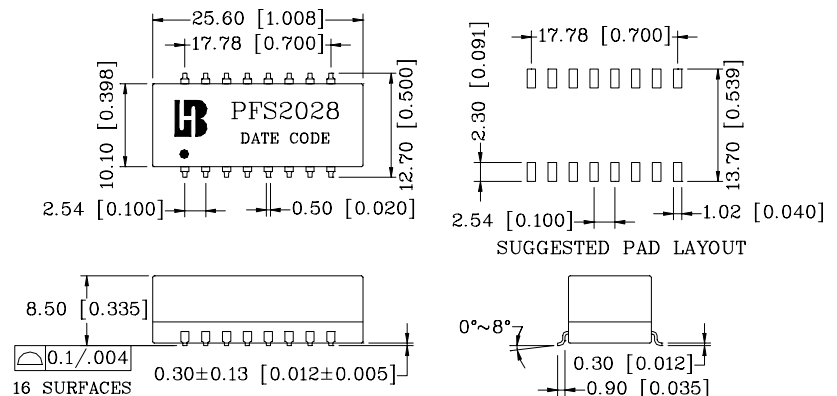
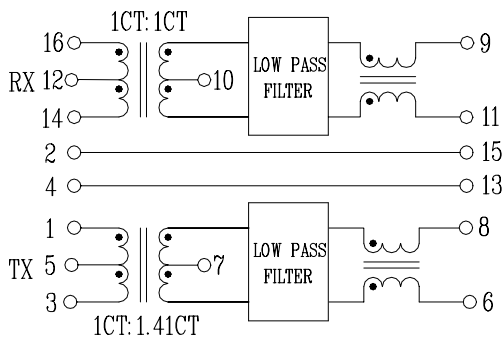
Part Number	Turns Ratio (±5%)		CUT-OFF Frequency	HI-POT (Vrms)
	TX	RX		
PFS2028	1 CT:1.41CT	1CT:1CT	17 MHz ± 1.5MHz	1500

Continue

Part Number	Insertion Loss (dB Max)		Attenuation (dB Min) TX/RX				Return Loss (dB Min)	Cross talk Attenuation (dB Min)	CMR (dB Min)
	1-10MHz	5-10MHz	20MHz	25MHz	30MHz	40MHz	5-10MHz	1-10 MHz	30-100MHz
PFS2028	-1.0/RX	-1.2/TX	-7/-6	-19/-14	-30/-20	-32/-31	-15	-30	-24

Schematic

Mechanical



Units: mm[Inches] Tolerances: xx.x0±0.25[0.010] 0.xx±0.05[0.002]