



SMD SPECIFICATION

PLCC6RGBCT



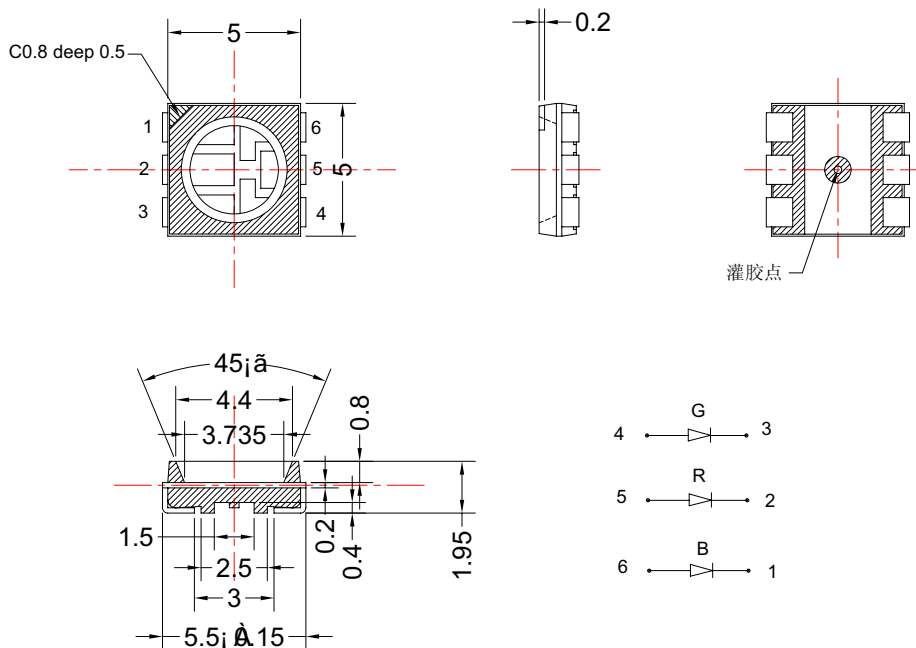
➤ Features/特征:

- Emitting Color/发光颜色: Red/Green/Blue/红色/绿色/蓝色
- Lens Type/封装特性: Water clear/透明
- Device Outline/外形特征: 5.5×5.0×1.95 (unit:mm)
- HBM ESD:Class 2/人体抗静电指标: Class 2
- Pb-Free/无铅
- RoHS compliant/符合 RoHS 标准

➤ Applications/应用:

- Backlight for Mobile, Machine Vision, LCD Display/手机、电话、显示屏背光源
- Backlight in Dashboard and switch of Automotive/汽车仪表盘、记程器背光源

➤ Product dimension/产品外形尺寸(units:mm)





SMD SPECIFICATION

➤ Absolute maximum ratings/极限参数 (Ta = 25°C)

Parameter 参数	Symbol 符号	Test Condition 测试条件	Values 数值		Unit 单位
			Min.	Max.	
Reverse Voltage 反向电压	Pd	—	—	70	mW
Forward Current 正向工作电流	VR	IR = 30 μ A	5	—	V
Power Dissipation 损耗功率	IFp	Duty=0.1, 1kHz	—	100	mA
Pulse Current 正向峰值电流	IFm	—	—	25	mA
Operating Temperature 工作温度范围	Topr	—	-40	+85	°C
Storage Temperature 储存温度范围	Tstr	—	-40	+85	°C

➤ Electrical and optical characteristics/光电参数 (Ta = 25°C)

Parameter 参数	Color 颜色	Symbol 符号	Test Condition 测试条件	Values 数值			Unit 单位
				Min	Typ	Max	
Forward Voltage 正向电压	Red	VF	IF = 20mA	—	2.3	2.6	V
	Green			—	3.2	3.6	
	Blue			—	3.2	3.6	
Reverse Current 反向电流	Red	IR	VR =5V	—	—	10	μ A
	Green			—	—	30	
	Blue			—	—	30	
Dominate Wavelength 主波长	Red	λ d	IF = 20mA	—	626	—	nm
	Green			—	524	—	
	Blue			—	468	—	
Spectral Line half-width 半波长宽度	Red	Δ λ	IF = 20mA	—	20	—	nm
	Green			—	35	—	
	Blue			—	22	—	
Luminous Intensity 发光强度	Red	Iv	IF = 20mA	102	160	---	mcd
	Green			200	350	---	
	Blue			102	150	---	
Viewing Angle 发光指向角	Red	2 θ 1/2	IF = 20mA	—	120	—	Deg.
	Green			—	120	—	
	Blue			—	120	—	



SMD SPECIFICATION

➤ Product Rank/产品分级

Luminous Intensity / 发光强度 (mcd)			
Rank	Blue	Green	Red
B	102~145	280~390	145~200
C	145~200		
D	102~145		
E	145~200	390~550	
F	102~145	280~390	200~280
G	145~200		
H	102~145	390~550	
J	145~200		

Wavelength / 波长 (nm)			
Rank	Blue	Green	Red
B	465~470	520~525	620~630
C	470~475		
D	465~470	525~530	
E	470~475		

Notes/备注: Rank error/分档误差: Iv: $\pm 15\%$, λd : $\pm 1\text{nm}$



SMD SPECIFICATION

➤ Typical electrical/optical characteristic curves/光电特性曲线图:

