

T1/E1/CEPT/ISDN Interface Transformer

EPR1413SE

- Robust construction to meet toughest soldering processes •
- Transmit and Receive in one SMD Package •
 - 1500 Vrms Isolation •
- UL1446 Class B-130°C Insulation System •
- Operating Temperature : -40°C - +85°C •

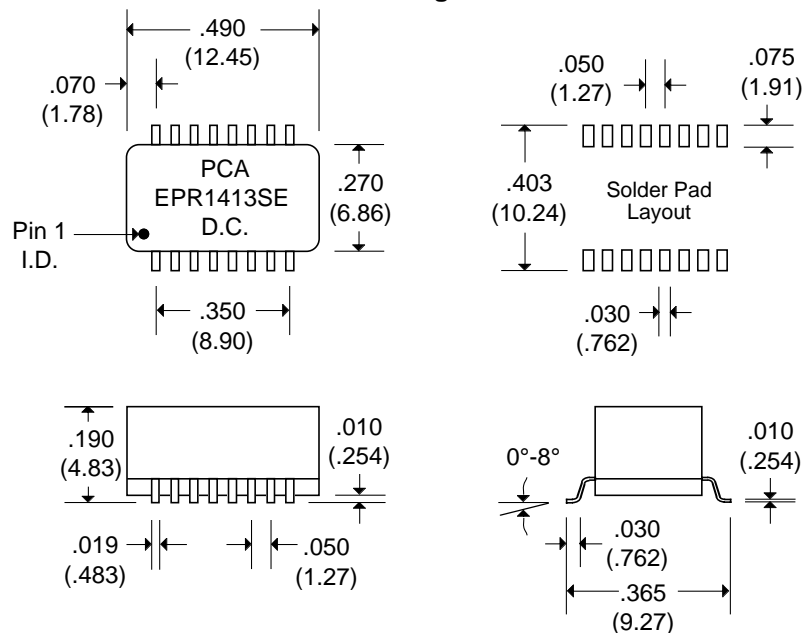
Electrical Parameters @ 25° C

Primary Inductance (mH Typ.)		Leakage Inductance (μH Max.)	Interwinding Capacitance (pF Max.)	Turns Ratio (Tol. ± 2%)		DCR (Ω Max.)		Crosstalk (dB Typ.,) 0.5-5 MHz
1.5	1.5	0.5	35	1CT:2.4CT	1CT:1CT	0.8	0.8	-60
Pins 1-3	Pins 6-8	Pins 1-3 & 6-8 w/ 16-14 & 11-9 shorted	Pins 16-14 to 1-3 Pins 6-8 to 11-9	Pins 1-3 : Pins 16-14	Pins 6-8 : Pins 11-9	Pins 1-3	Pins 6-8	Xmit to Rcv

Schematic



Package



Unless Otherwise Specified Dimensions are in Inches /mm ± .010 / .25