

Model NO.	FDT0373	Model Name	Driver Transformer
Part NO.	FDT0373-50	SIZE	EP-13 SMD Total 10PIN

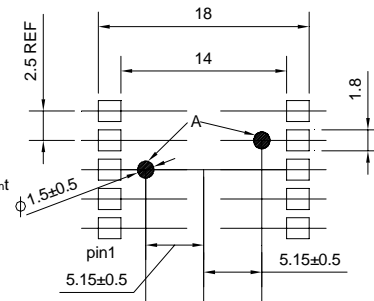
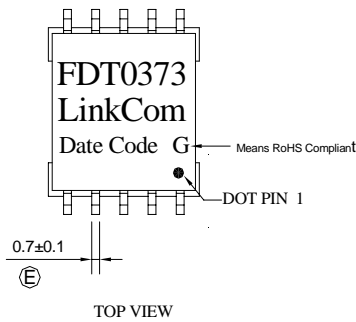
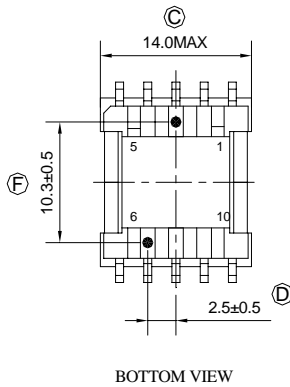
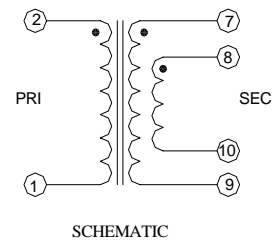
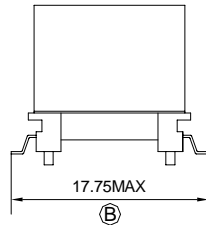
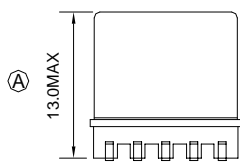
Specification and Dimension

Electrical characteristic:

	Item	Test Pin	Specifications	Short Pins	Testing Condition	Instruments
1	Inductance	2 - 1	40uH \pm 10%		200KHz / 0.2Vrms	WK-3260B
		2 - 1	36uH Min.		200KHz/0.2V/at 2A DC	
2	Leakage Inductance	2 - 1	0.621 uH Max.	7-9 , 8-10	200KHz / 0.2V	WK-3260B
3	Turn Ratio	2-1 : 7,8-9,10	2.5 \pm 2%:1	7-8 , 9-10		WK-3260B
4	HI-POT	Pri. to Sec.	1500VAC/50Hz		2Seconds / 1mA	Zentech 9052
		Pri. to CORE	500VAC/50Hz			
		Sec. to CORE	500VAC/50Hz			
5	D.C. R.	2 - 1	0.108 ohm Max.		AT 25°C	WK-3260B
		7 - 9	0.040 ohm Max.			
		8 - 10	0.040 ohm Max.			

Production Drawing:

(Unit: mm)



'A' means through hole

Terminal Dimensions

Customer to determine PCB pad dimensions.