

DC-AC INVERTER UNIT

PS-DA0211-142-B(S) (12 W DUAL OUTPUTS)

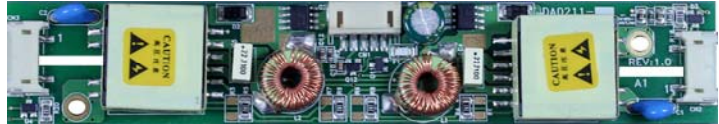
(PRELIMINARY INFORMATION)

DESCRIPTION :

This low profile DC to AC Inverter is developed for dual lamps.
Optimized for Sharp: **LQ150X1LG51, LQ150X1LG41**

INPUT VOLTAGE:

12 Vdc



APPLICABLE LCD:

6.4 to 15 inches double lamp type
Lamp Voltage 560 Vrms
Lamp Current 2 x 7.5 mArms
Lamp Start Up Voltage 1.500 Vrms (Vin : 12 Vdc)

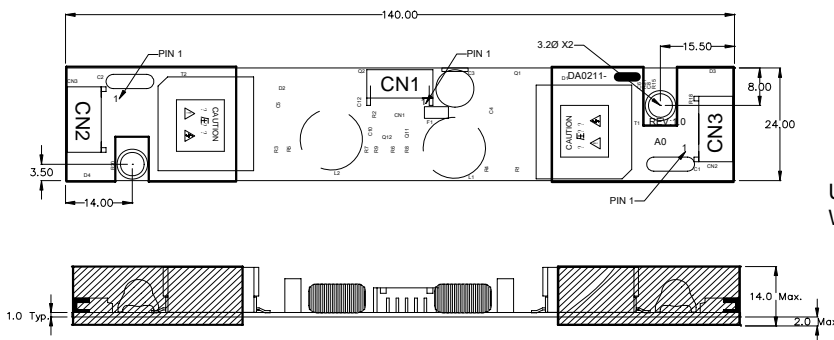
FEATURES :

- Remote ON/OFF
- Open Lamp Detection
- Regulated
- Wide Input range 9.6 ~ 14.4 Vdc
- Dimming Function
- RoHS compliant (S)

TEMPERATURE & HUMIDITY :

Operating Temperature Range -10°C ~ +50°C
Storage Temperature Range -40°C ~ +85°C
Humidity 95 %RH max

DIMENSIONS : L x W x H 140 x 24 x 15 mm



Unit : mm
Weight :39,8 (g) typ.

Note: Please use plastic screw in case of a non-insulating mounting base!

Components

| No. | Part Description | Qty. | Material | Note |
|-----|---------------------|------|-------------------------|--------------|
| 1 | PCB | 1 | UL94V-0 (FR-4 or CEM-3) | t=1mm |
| 2 | Connector CN1 | 1 | S5B-PH-SM3 | JST or equal |
| 3 | Connector CN2 + CN3 | 2 | SM02(8.0)B-BHS-1-TB | JST or equal |

Power Systems – The Power Solution

Web: www.Power-Systems.de
Email: Info@Power-Systems.de

Address: Hauptstr. 48 ; 74360 Ilsfeld-Auenstein / Germany
Tel. : + 49 / 70 62 / 67 59 - 6
Fax: + 49 / 70 62 / 67 59 - 800

DC-AC INVERTER UNIT

PS-DA0211-142-B(S) (12 W DUAL OUTPUTS)

(PRELIMINARY INFORMATION)

Input side CN1:

| Pin No. | Symbols | Ratings |
|---------|---------|------------------------------|
| CN 1-1 | Vin | 9.6 ~ 14.4 Vdc |
| CN 1-2 | GND | |
| CN 1-3 | Vbr | 0 ~ 4.2 Vdc |
| CN 1-4 | GND | |
| CN 1-5 | Vrmt | 0 ~ 0.4 = OFF / 3 ~ Vin = ON |

Output side CN2 + CN3:

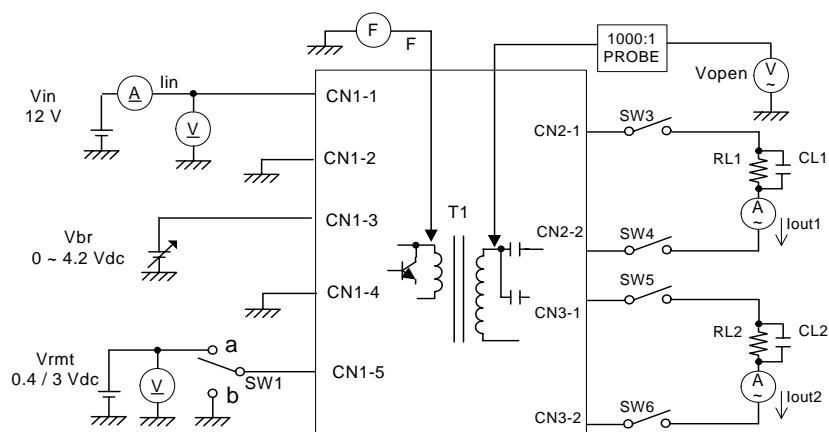
| Pin No. | Symbols | Ratings |
|---------|---------|---------|
| CN 2-1 | VHIGH | 560Vrms |
| CN 2-2 | N.C. | - |
| CN 2-3 | VLOW | GND |

ELECTRICAL CHARACTERISTICS :

| Parameters | Symbols | Conditions | | | Specification | | | Unit | Note |
|----------------------|---------|------------|---------|-----------|---------------|-------|-------|-----------------|--------------|
| | | Vin (V) | Vbr (V) | Tu (°C) | Min. | Typ. | Max. | | |
| Output Current | Iout | 9.6~14.4 | 0.0 | -10 ~ +50 | 7.0 | 7.5 | 8.0 | mArms | |
| Output Current | Iout | 9.6~14.4 | 4.2 | -10 ~ +50 | 2.5 | 3.0 | 3.5 | mArms | |
| Input Current | Iin | 9.6~14.4 | 0.0 | -10 ~ +50 | - | 0.93 | 1.4 | A _{dc} | |
| Frequency | F | 9.6~14.4 | 0.0 | -10 ~ +50 | 44.5 | 52 | 59.5 | kHz | |
| Open Circuit Voltage | Vopen | 9.6~14.4 | 0.0 | -10 ~ +50 | 1.300 | 1.500 | 1.700 | Vrms | |
| No load Shutdown | Tsd | 9.6~14.4 | 0.0 | -10 ~ +50 | 1.0 | - | - | sec | without load |

Note 1 : Please keep minimum of 2mm clearance (all directions) between inverter high voltage area as marked on mechanical drawing and any conductors.

TEST CIRCUIT :



| SW1 | Operation of unit |
|-----|-------------------|
| a | Operation |
| b | Non operation |

Power Systems – The Power Solution

Web: www.Power-Systems.de
 Email: Info@Power-Systems.de

Address: Hauptstr. 48 ; 74360 Ilsfeld-Auenstein / Germany
 Tel. : + 49 / 70 62 / 67 59 - 6
 Fax: + 49 / 70 62 / 67 59 - 800