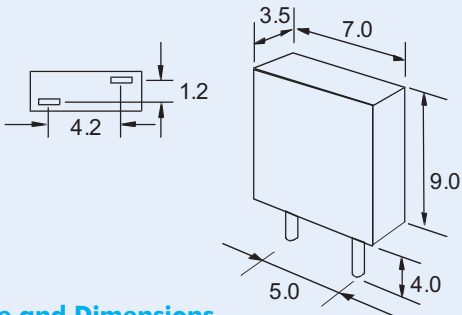


**ZTB456F SERIES**

FM USE



Outline and Dimensions

**Electrical characteristics**

Part Number	Frequency and Frequency Tolerance at 25°C	Recommended IC
ZTB 456F11	18.950kHz $\pm$ 38Hz	LA3410 (SANYO)
ZTB 456F14	19.000kHz $\pm$ 38Hz	TA7413AP (TOSHIBA)
ZTB 456F15	19.000kHz $\pm$ 38Hz	LA3430 (SANYO)
ZTB 456F16	19.000kHz $\pm$ 38Hz	TA8122AN (TOSHIBA)
ZTB 456F18	19.000kHz $\pm$ 38Hz	TA8132N (TOSHIBA)
ZTB 456F23	456kHz $\pm$ 0.25%	LA1886 (SANYO)