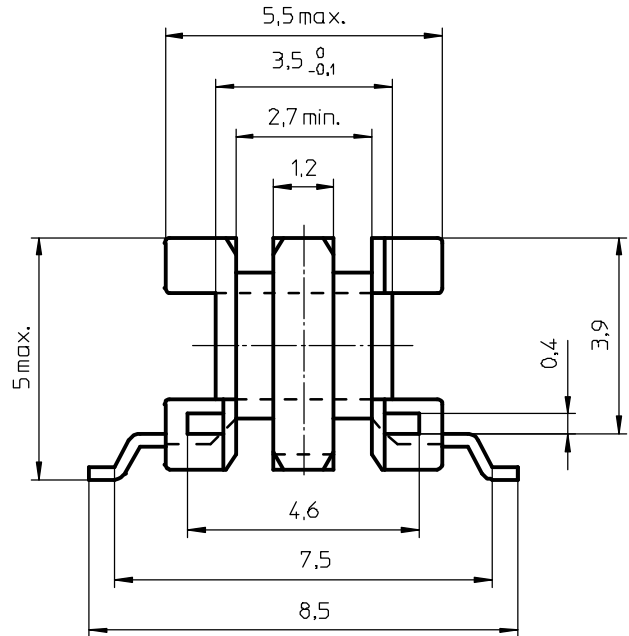
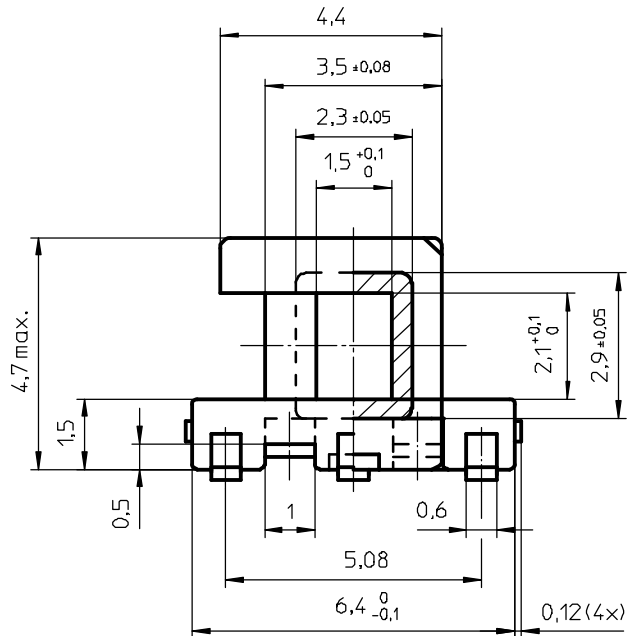
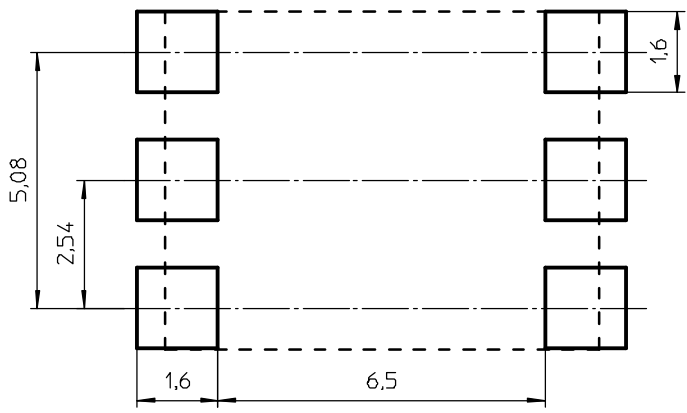




1 2 3 4 5 6 7 8



PROPOSED PAD ARRANGEMENT



- Coil former material: Sumikasuper E4008 (LCP), glass-reinforced.
UL file number: E54705 - UL94V-0
- Pin material: CuSn - Ni flash, Sn plated.
- Max. operating temp.: acc. to IEC 60085 class F, 155°C.
- Resistance to soldering heat: acc. to IEC 60068-2-20 Part 2, Test Tb, method 1B, 350°C - 3.5sec.
- Solderability: acc. to IEC 60068-2-20 Part 2, Test Ta, method 1, 235°C - 2sec.
- Min. winding area: 0,9 mm².
- Mean length of turn: 12,8 mm.

CLASS NO.		03-02-20	
CPHS-E6.3/2-2S-6P-Z		4322 021 06061	
NAME M.Veekens	SUPERS VERV.	1	SP BL 112 - 001
MPA	CHECK CONTR.	DATE 03-02-20	Property of Eigendom van © FERROXCUBE 2000
			069
			A3

1 2 3 4

a
b
c
d
e
f