

Structure	Silicon Monolithic Integrated Circuit
Product series	PWM Driver for combi drive
Type	BH5510KV
Function	<ul style="list-style-type: none"> • Super silent spindle drive by S!PWM^{×2} technology. • Built in 2mode of spindle driver's gain for low-speed stability rotation.

○Absolute maximum ratings

Parameter	Symbol	Limits	Unit
Power MOS supply voltage	PVcc	6	V
Control circuit power supply voltage	Vcc	6	V
Maximum driver output current	IoMAX	3 #1	A
Power dissipation	Pd	1.18 #2	W
Operating temperature range	Topr	-40~85	°C
Storage temperature range	Tstg	-55~150	°C
Joint part temperature	Tjmax	150	°C

#1 The current is guaranteed 3.0A in case of the current is turned on/off in a duty-ratio of less than 1/10 with a maximum on-time of 5msec.

#2 PCB (70mm × 70mm × 1.6mm, occupied copper foil is less than 3%, glass epoxy standard board) mounting. Reduce power by 9.5mW for each degree above 25°C.

○Recommended operating conditions(Ta=-10~+70°C)

[Set the power supply voltage taking allowable dissipation into considering]

Parameter	Symbol	MIN.	TYP.	MAX.	Unit
Power MOS supply voltage	PVcc	3.0	5.0	5.5	V
Control circuit power supply voltage	Vcc	4.0	5.0	5.5	V

This product described in this specification isn't judged whether it applies to COCOM regulations. Please confirm in case of export.
This product isn't designed for protection against radioactive rays.

Application example

The application circuit is recommended for use. Make sure to confirm the adequacy of the characteristics.
When using the circuit with changes to the external circuit constants, make sure to leave an adequate margin for external components including static and transitional characteristics as well as dispersion of the IC.
Note that ROHM cannot provide adequate confirmation of patents.

The product described in this specification is designed to be used with ordinary electronic equipment or devices (such as audio-visual equipment, office-automation equipment, communications devices, electrical appliances, and electronic toys).
Should you intend to use this product with equipment or devices which require an extremely high level of reliability and the malfunction of which would directly endanger human life (such as medical instruments, transportation equipment, aerospace machinery, nuclear-reactor controllers, fuel controllers and other safety devices), please be sure to consult with our sales representative in advance.

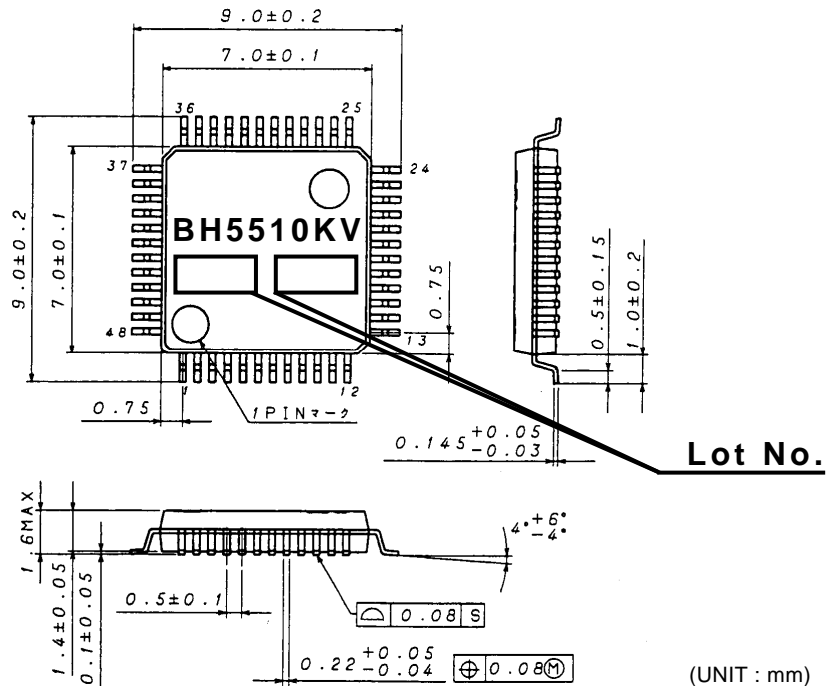
ROHM assumes no responsibility for use of any circuits described herein, conveys no license under any patent or other right, and makes no representation that the circuits are free from patent infringement.

○Electrical characteristics

(Unless otherwise noted Ta=25°C, Vcc=PVcc=5V, Vref=1.25V, RL(act)=8Ω+47μH, RL(SP)=2Ω+47μH, SPRNF=0.2Ω)

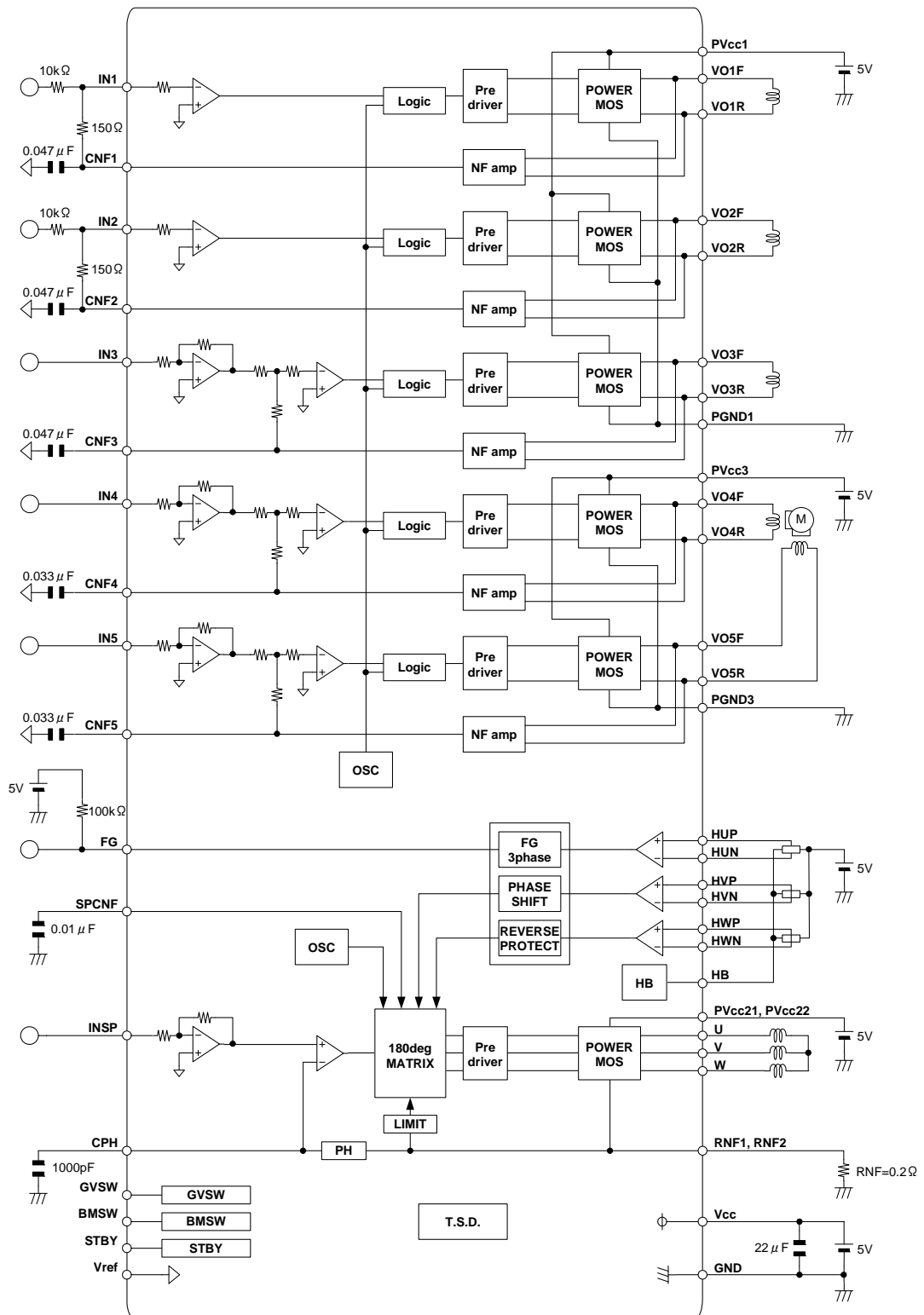
Parameter		Symbol	MIN.	TYP.	MAX.	Unit	Condition
Circuit current	Quiescent current	ICC	—	10.5	20	mA	VST=2.6V
	Current in standby mode	IST	—	—	0.1	mA	VST=1.0V
Stepping driver block	Input dead zone (one side)	VDZSTP4,5	10	30	50	mV	
	Output offset voltage	VOO4,5	-50	—	50	mV	
	Voltage gain	GVC4,5	12.0	14.0	16.0	dB	
	Output On resistor (top and bottom)	RON4,5	—	1.5	2.3	Ω	Io=500mA
	PWM frequency	f4,5CH	240	300	360	kHz	
Spindle driver block	Input dead zone of gm1(one side)	VDZSP1	2	50	100	mV	GVSW=L
	Input dead zone of gm2(one side)	VDZSP2	10	210	460	mV	GVSW=H
	Input output gain 1	gm1	0.8	1.0	1.2	A/V	SPRNF=0.2Ω GVSW=L
	Input output gain 2	gm2	0.16	0.2	0.24	A/V	SPRNF=0.2Ω GVSW=H
	Output On resistor (top and bottom)	RONSP	—	0.6	1.2	Ω	Io=500mA
	Output limit voltage	VLIMSP	0.16	0.20	0.24	V	SPRNF=0.2Ω
	PWM frequency	fSP	60	80	100	kHz	
Actuator driver block	Input dead zone (one side)	VDZACT1,2,3	—	—	3	mV	Value of design guarantee
	Output offset voltage	VOO1,2,3	-50	—	50	mV	
	Voltage gain	GVC1,2,3	12.0	14.0	16.0	dB	
	Output On resistor (top and bottom)	RON1,2,3	—	1.3	2.0	Ω	Io=500mA
	PWM frequency	f1,2,3CH	240	300	360	kHz	
Others	Vref drop mute ON threshold voltage	VMVref	—	0.7	1.0	V	
	Vcc drop mute ON threshold voltage	VMVcc	3.2	3.6	4.0	V	
	Standby High level voltage range	VSTH	2.6	—	3.3	V	
	Standby Hi-Z level voltage range	VSTHZ	1.6	—	2.0	V	OPEN(Hi-z) is also available.
	Standby Low level voltage range	VSTL	0	—	1.0	V	

○Package outlines



(UNIT : mm)

Figure No. ; EX259-5001-1



Notes

- No technical content pages of this document may be reproduced in any form or transmitted by any means without prior permission of ROHM CO.,LTD.
- The contents described herein are subject to change without notice. The specifications for the product described in this document are for reference only. Upon actual use, therefore, please request that specifications to be separately delivered.
- Application circuit diagrams and circuit constants contained herein are shown as examples of standard use and operation. Please pay careful attention to the peripheral conditions when designing circuits and deciding upon circuit constants in the set.
- Any data, including, but not limited to application circuit diagrams information, described herein are intended only as illustrations of such devices and not as the specifications for such devices. ROHM CO.,LTD. disclaims any warranty that any use of such devices shall be free from infringement of any third party's intellectual property rights or other proprietary rights, and further, assumes no liability of whatsoever nature in the event of any such infringement, or arising from or connected with or related to the use of such devices.
- Upon the sale of any such devices, other than for buyer's right to use such devices itself, resell or otherwise dispose of the same, no express or implied right or license to practice or commercially exploit any intellectual property rights or other proprietary rights owned or controlled by
- ROHM CO., LTD. is granted to any such buyer.
- Products listed in this document are no antiradiation design.

The products listed in this document are designed to be used with ordinary electronic equipment or devices (such as audio visual equipment, office-automation equipment, communications devices, electrical appliances and electronic toys).

Should you intend to use these products with equipment or devices which require an extremely high level of reliability and the malfunction of which would directly endanger human life (such as medical instruments, transportation equipment, aerospace machinery, nuclear-reactor controllers, fuel controllers and other safety devices), please be sure to consult with our sales representative in advance.

It is our top priority to supply products with the utmost quality and reliability. However, there is always a chance of failure due to unexpected factors. Therefore, please take into account the derating characteristics and allow for sufficient safety features, such as extra margin, anti-flammability, and fail-safe measures when designing in order to prevent possible accidents that may result in bodily harm or fire caused by component failure. ROHM cannot be held responsible for any damages arising from the use of the products under conditions out of the range of the specifications or due to non-compliance with the NOTES specified in this catalog.

Thank you for your accessing to ROHM product informations.

More detail product informations and catalogs are available, please contact your nearest sales office.

ROHM Customer Support System

THE AMERICAS / EUROPE / ASIA / JAPAN

www.rohm.com

Contact us : webmaster@rohm.co.jp