

10Base-T NIC Module with Enhanced CMA and Resistor Network EPE6167G & EPE6167G-RC



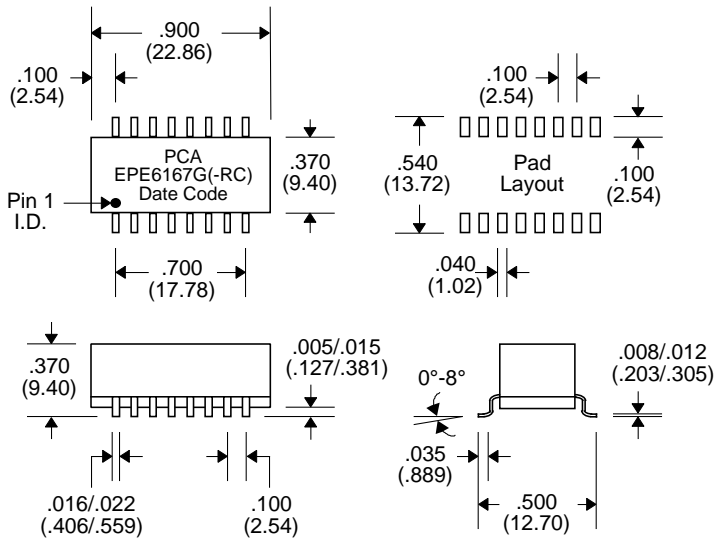
- Optimized for DP83902, 905, 907, 932 PHY Chips
- Robust construction allows for toughest reflow processing
- Complies with or exceeds IEEE 802.3, 10Base-T Standards
- Add "-RC" after part number for RoHS Compliant

Electrical Parameters @ 25° C

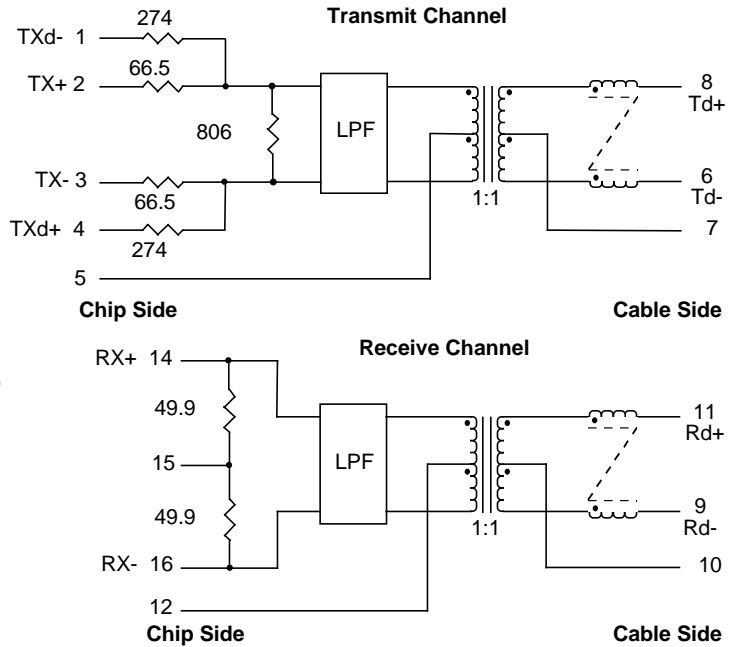
Cut-off Frequency (MHz)		Insertion Loss (dB Max.)		Return Loss (dB Min.)		Attenuation (dB Min.) (1)								Common Mode Rejection (dB Min.)				Crosstalk (dB Min.)
± 1.0 MHz		1-10 MHz		5-10 MHz		@ 20 MHz		@ 25 MHz		@ 30 MHz		@ 40 MHz		@ 30-100 MHz		@ 200 MHz		@ 1-10 MHz
Xmit	Rcv	Xmit	Rcv	Xmit	Rcv	Xmit	Rcv	Xmit	Rcv	Xmit	Rcv	Xmit	Rcv	Xmit	Rcv	Xmit	Rcv	
17	17	-1	-1	-15	-15	-7	-5	-18	-11	-30	-18	-35	-26	-30	-30	-30	-30	-35

- Isolation : 1500 Vrms • Characteristic Filter Impedance : 100
- Note: 1) Referenced to the filter output @ 5 MHz for filter only, excluding resistor network. •

Package



Schematic



Notes :	EPE6167G	EPE6167G-RC
1. Assembly Process (Solder Composition)	SnPb	Pb-Free + (RoHS exemption 7a)
2. Peak Solder Rating (per IPC/JEDEC J-STD-020C)	225°C	260°C
3. Moisture Sensitive Levels (MSL) (per IPC/JEDEC J-STD-020C)	MSL = 3 (168 Hours, 30°C/60%RH)	MSL = 4 (72 Hours, 30°C/60%RH)
4. Weight	TBD grams	TBD grams
5. Packaging Information (Tube)	19 pieces/tube	19 pieces/tube
(*Add "TR" to end of part number when placing order) (Tape & Reel)	300 pieces/13" reel (*EPE6167G-TR)	300 pieces/13" reel (*EPE6167G-RCTR)

Unless Otherwise Specified Dimensions are in Inches /mm ± .010 / .25