

**SINGLE RJ45 CONNECTOR MODULE WITH INTEGRATED 10/100 BASE-TX MAGNETICS AND LEDS**

P/N: NU1S517-134

Page : 1/2

**Feature**



- Complies with requirement of IEEE802.3u standards.
- RJ 45 connector with 10/100 BASE-TX magnetic.
- Operating temperature range: 0°C to +70°C.
- Storage temperature range: -25°C to +85°C.

|           |     |        |       |        |
|-----------|-----|--------|-------|--------|
| Code      | 1   | 3      | 4     | Empty  |
| LED Color | Red | Yellow | Green | No LED |

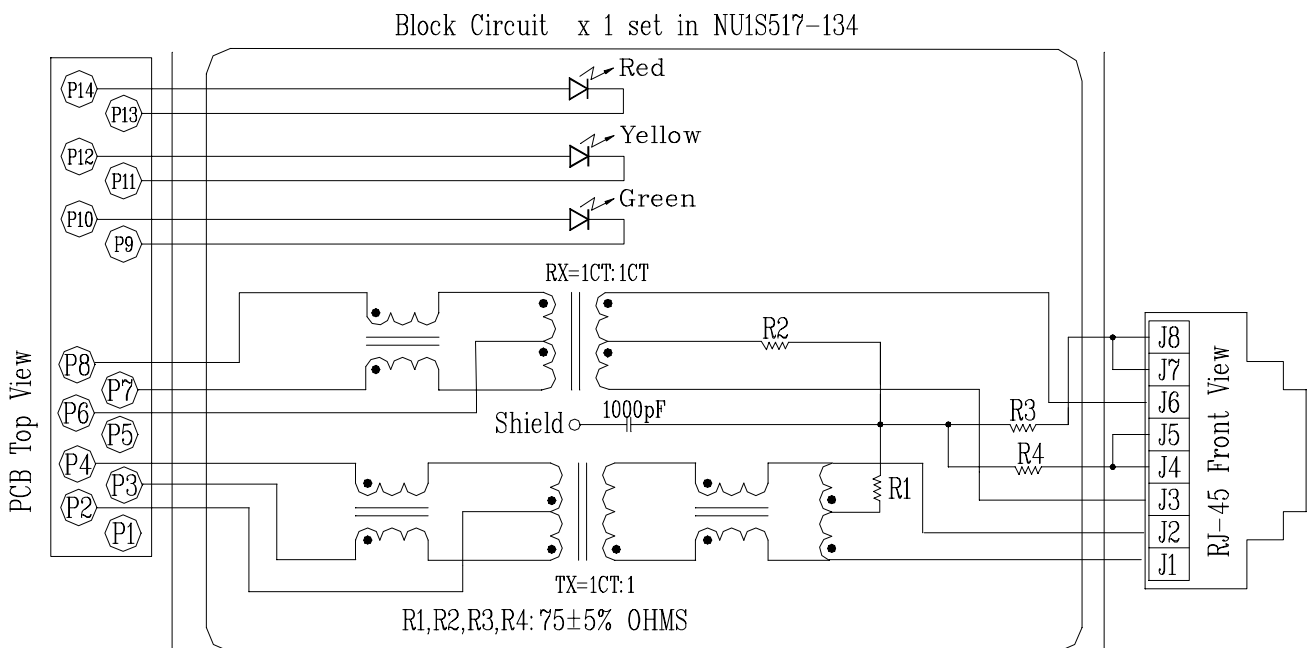
**Electrical Specifications @ 25°C**

| Part Number | Turns Ratio (±5%) |         | OCL (uH Min)<br>@ 100 KHz/0.1V<br>with 8mA DC Bias | L.L<br>(uH Max) | C <sub>W/W</sub><br>(pF Max) | Rise Time<br>10-90%<br>(nS TYP) | Cross talk<br>(dB Min) |          |           |
|-------------|-------------------|---------|--|-----------------|------------------------------|---------------------------------|------------------------|----------|-----------|
|             | TX                | RX      |  |                 |                              |                                 | 0.3-30MHz              | 30-60MHz | 60-100MHz |
| NU1S517-134 | 1CT:1             | 1CT:1CT | 350  | 0.4             | 28                           | 2.5                             | -40                    | -35      | -30       |

**Continue**

| Part Number | Insertion Loss<br>(dB Max) |            | Return Loss<br>(dB Min) |       |       |       |       | CMR<br>(dB Min) TX/RX |          |           | HI-POT<br>(Vrms) |
|-------------|----------------------------|------------|-------------------------|-------|-------|-------|-------|-----------------------|----------|-----------|------------------|
|             | 0.3-100MHz                 | 100-125MHz | 30MHz                   | 40MHz | 50MHz | 60MHz | 80MHz | 1-30MHz               | 30-60MHz | 60-125MHz |                  |
| NU1S517-134 | -1.1                       | -1.5       | -16                     | -14   | -13.5 | -13   | -10   | -30                   | -25      | -20       | 1500             |

**Schematic**

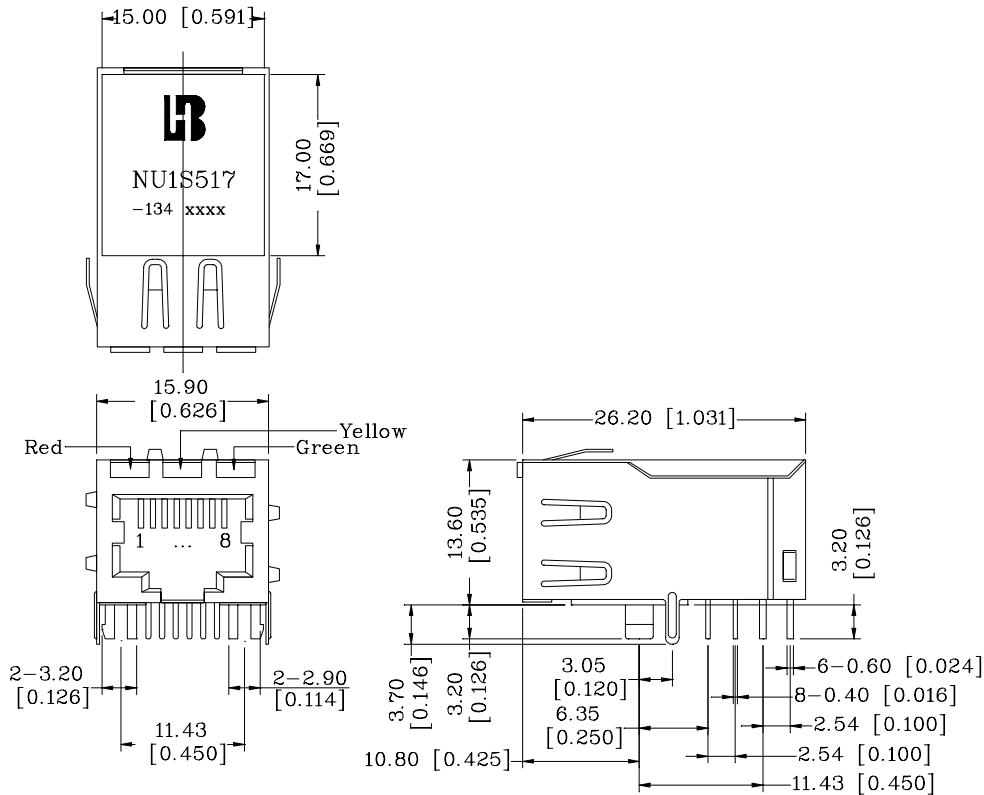


**SINGLE RJ45 CONNECTOR MODULE WITH INTEGRATED 10/100 BASE-TX MAGNETICS AND LEDS**

P/N: NU1S517-134

Page : 2/2

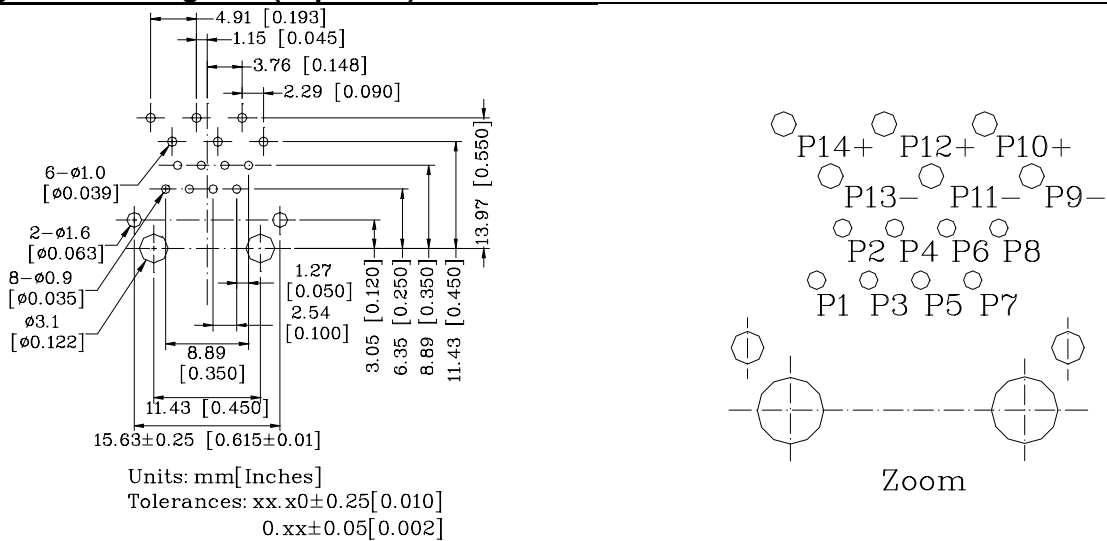
**Mechanical**



Units: mm[Inches] Tolerances: xx.x0±0.25[0.010]  
0.xx±0.05[0.002]

- 1. Plastic Material : PBT 15% Glass Filled(UL 94V-0), Black Housing
- 2. Metal Shield : Brass C2680-H, 20u Nickel Plated, t=0.25mm
- 3. Spring Wire : 0.45mm Dia. Phosphor bronze with 6u gold plated
- 4. Solder Pin : 0.4x0.4mm, Phosphor bronze with solder Plated
- 5. Durability : 300 Mating cycles Min.

**PCB Layout Mounting Hole(Top View)**



Units: mm[Inches]  
Tolerances: xx.x0±0.25[0.010]  
0.xx±0.05[0.002]