

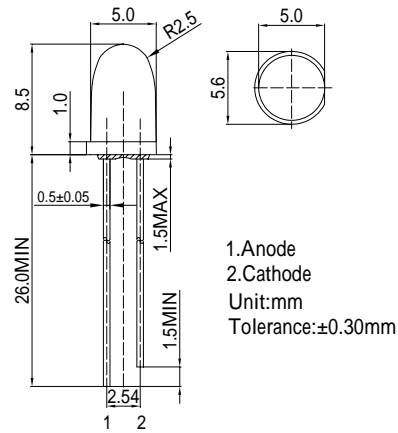
### ■Features

- High Luminous LEDs
- 5mm Bullet Standard Directivity
- Long Lifetime Operation
- Superior Weather-resistance
- UV Resistant Epoxy
- Water Clear Type

### ■Applications

- Electronic Signs And Signals
- Small Area Illuminations
- Back Lighting
- Other Lighting

### ■Outline Dimension

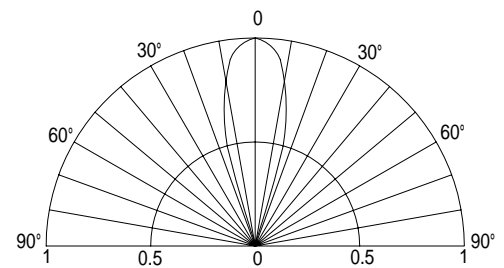


### ■Absolute Maximum Rating (Ta=25 °C)

Item	Symbo l	Value		Unit
		W/B/G	Y/O/R	
DC Forward Current	I <sub>F</sub>	30	30	mA
Pulse Forward Current*	I <sub>FP</sub>	100	100	mA
Reverse Voltage	V <sub>R</sub>	5	5	V
Power Dissipation	P <sub>D</sub>	108	70	mW
Operating Temperature	Topr	-40 ~ +85		
Storage Temperature	Tstg	-40~ +85		
Lead Soldering Temperature	Tsol	260 /5sec		-

\*Pulse width Max 0.1ms, Duty ratio max 1/10

### ■Directivity



### Electrical -Optical Characteristics (Ta=25 °C)

Part Number	Color		V <sub>F</sub> (V)			I <sub>R</sub> (μA)	v(lm)*			λD(nm)*			2θ1/2(deg)
			Min.	Typ.	Max.	Max.	Min.	Typ.	Max.	Min.	Typ.	Max.	Typ.
			I <sub>F</sub> =20mA			V <sub>R</sub> =5V	I <sub>F</sub> =20mA						
OSW4DK6231A	White	W	2.9	3.1	3.6	10	-	5.5	-	X=0.31, Y=0.32			30
OSB5SA6231A	Blue	B	2.9	3.1	3.6	10	-	1	-	465	470	475	30
OSG5DA6231A	Pure Green	G	2.9	3.1	3.6	10	-	3	-	520	525	530	30
OSY5WA6231A	Yellow	Y	1.9	2.1	2.6	10	-	2	-	586	590	592	30
OSO5WA6231A	Orange	O	1.9	2.1	2.6	10	-	2	-	600	605	610	30
OSR5WA6231A	Red	R	1.9	2.1	2.6	10	-	2	-	620	625	630	30

Note: \*1. Tolerance of chromaticity coordinates is ±10%

\*2. Dominant wavelength tolerance: ±1nm

\*3. Tolerance of luminous Flux is ±15%