

# KR 2403 HDTV ANTI-ALIASING FILTER

## General Description

KR 2403 is a HDTV anti-aliasing filter. The filter has a 60 MHz passband and group delay equalization. Other passband frequencies are available. Please consult the factory.

## Features

- Anti-Aliasing filter
- Elliptic response
- Group delay equalization
- 75  $\Omega$

## Typical Performance

**Passband Amplitude & Group Delay**  
(0.2 dB/div & 1 nsec/div)

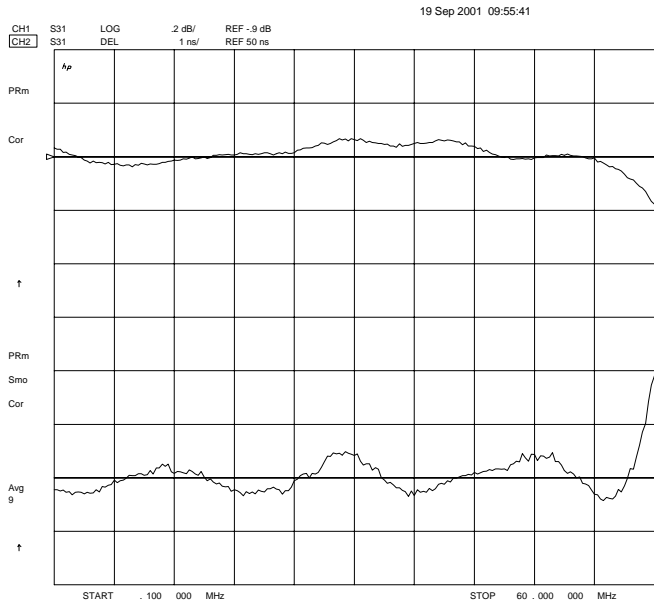


Figure 1

**Overall Response**  
(10 dB/div)

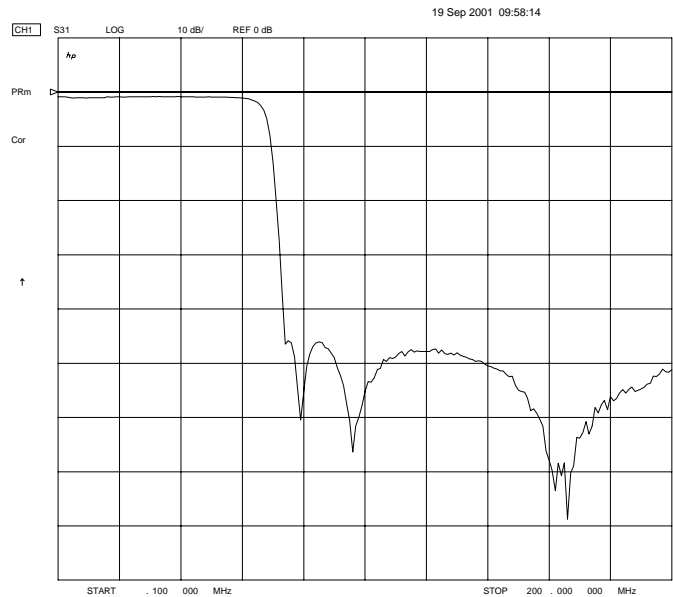


Figure 2

KR Electronics, Inc.  
91 Avenel Street  
Avenel, NJ 07001

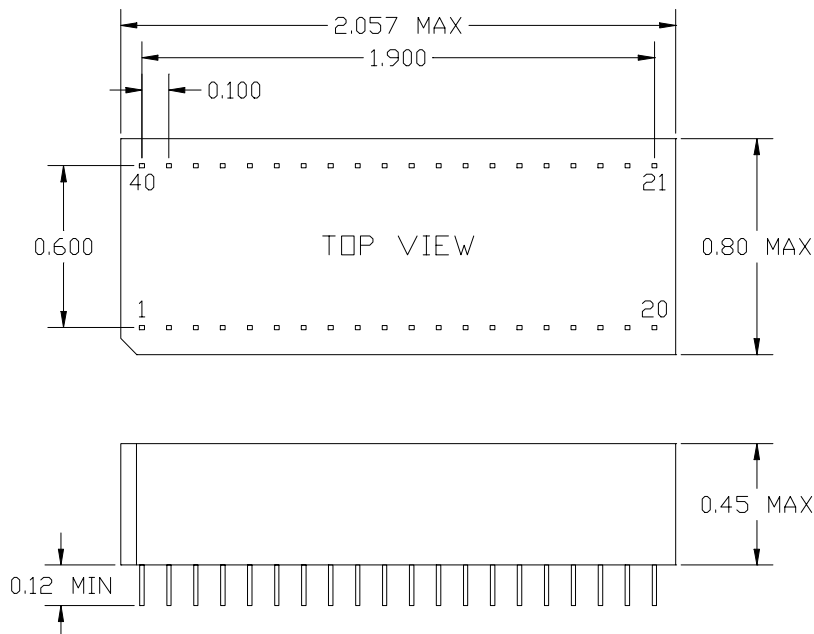
Web [www.krfilters.com](http://www.krfilters.com)  
Email [sales@krfilters.com](mailto:sales@krfilters.com)  
Phone (732) 636-1900  
Fax (732) 636-1982

# KR 2403 HDTV Filter

## Specifications

Parameter	Specification
Filter type	Lowpass
Insertion Loss	< 1.5 dB
Passband Ripple to 40 MHz	< ± 0.1 dB
Passband Ripple to 60 MHz	< ± 0.2 dB
Group Delay Ripple to 40 MHz	< ± 1 nsec
Group Delay Ripple to 60 MHz	< ± 1.5 nsec
Start of Stopband	74.25 MHz
Stopband Attenuation	> 40 dB
Source & Load	75 Ω

## Physical Dimensions



NOTES:  
 PIN 1 = INPUT  
 PIN 20 = OUTPUT  
 PIN 21 THRU 40 = GROUND  
 PIN SIZE 0.018 × 0.016 IN