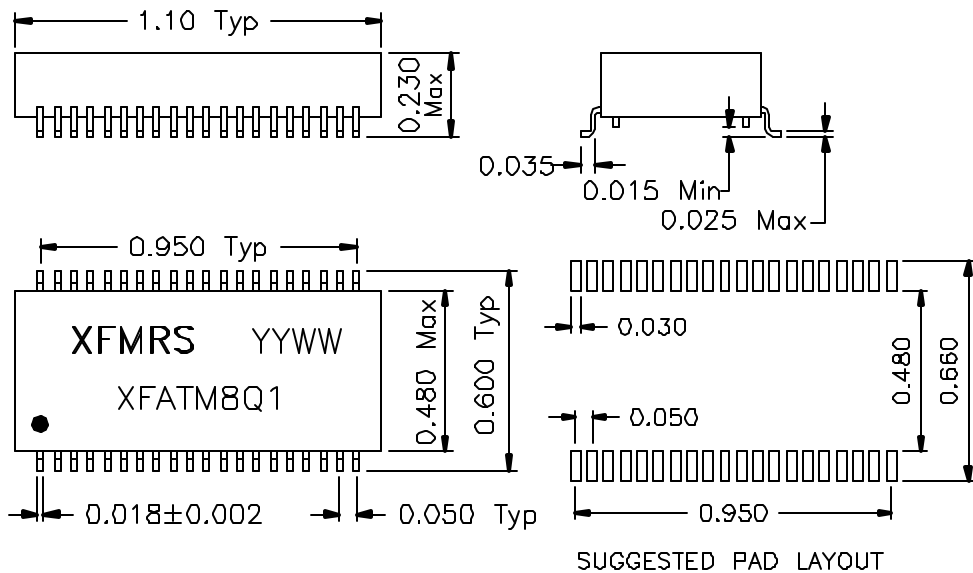


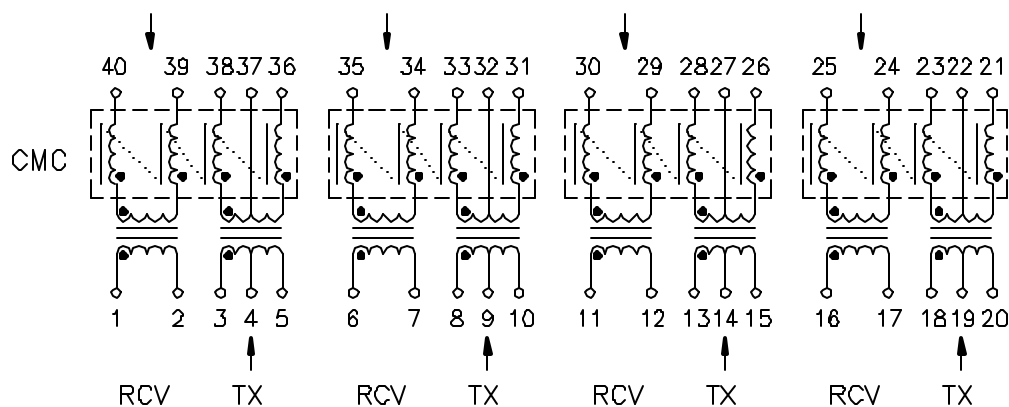
### 1. Dimensions:



### 3. Electrical Specifications: @25°C

- PRI/SEC ISOLATION: 1500 Vrms
- URNS RATIO: 1CT:1CT (TX)
- URNS RATIO: 1 : 1 (RCV)
- OCL: 350uH Minimum @100KHz 100mV 8mADC
- INSERTION LOSS: -1.0dB Max (300KHz-60MHz)
- RETURN LOSS: -20dB Typ 30MHz  
-15dB Typ 80MHz
- CROSSTALK: -40dB TYPICAL @30MHz  
-35dB TYPICAL @60MHz  
-35dB TYPICAL @80MHz

### 2. Schematic:



DOC. REV: B/1

<b>XFMRS Inc</b>	Title: Quad Port 10/100BASE-TX Module	
	UNLESS OTHERWISE SPECIFIED	P/N: XFATM8Q1
	TOLERANCES: .xxx ±0.010	DWN. 康玉坤 Jan-11-00
	Dimensions in INCH	CHK. 李清儿 Jan-11-00
SHEET 1 OF 1	APP. Joe Huff	REV. B Jan-11-00