

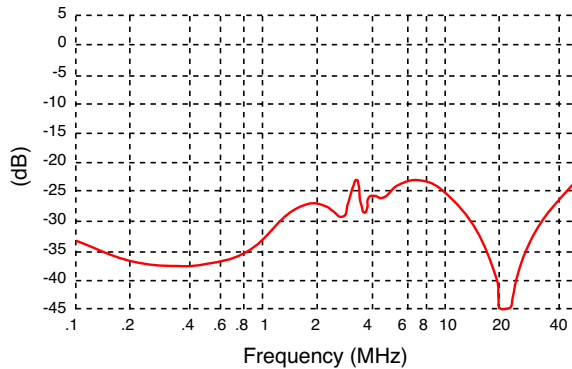
- Designed for Transmit Long Haul VDSL Applications
- Designed to match Infineon Technologies VDSL Solutions
- Robust construction allows for IR/VP processes

Electrical Parameters @ 25° C

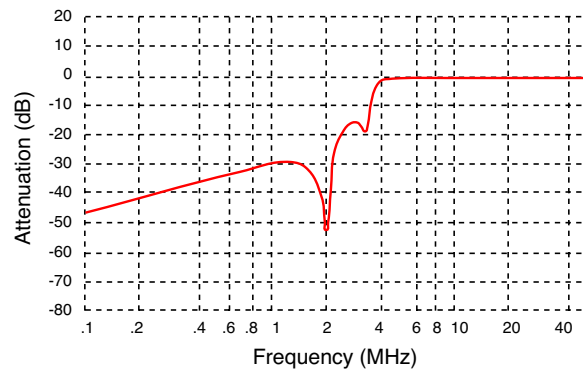
Impedance (Ω)	Insertion Loss (dB Max.)	Return Loss ¹ (dB Min.)		Attenuation (dB Min.)
---	4.5 MHz - 7.9 MHz	900 KHz - 3.0 MHz	4.5 MHz - 7.9 MHz	900 KHz - 3.0 MHz
40	-0.8	-10	-10	-10

• **Note 1** : Return Loss measured across pins 1 & 2 with pins 9 & 10 loaded with 40 Ω •

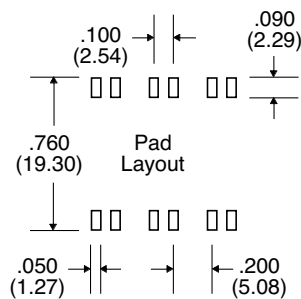
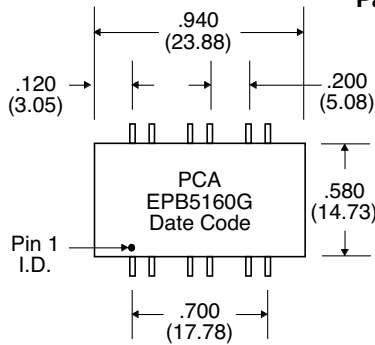
Typical Return Loss



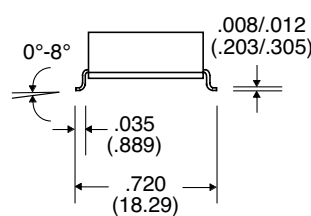
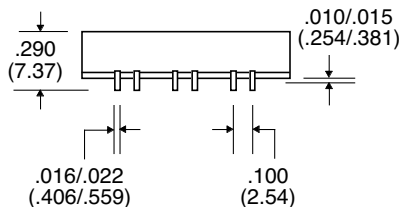
Typical Frequency Response



Package



Schematic



Unless Otherwise Specified Dimensions are in Inches /mm ±.010 /.25