

EPD1035GE

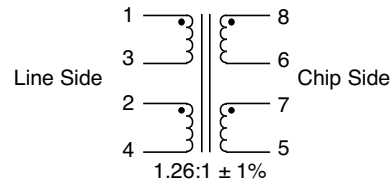
- Designed to meet the Requirements of IEC60950 with Working Voltage of 250 V
- Excellent THD Characteristic
- Operating Temperature : -40°C to +85°C
- Hipot : 1875 Vrms, (for 1 second; 500 μ A Max. Leakage)

Electrical Parameters @ 20° C

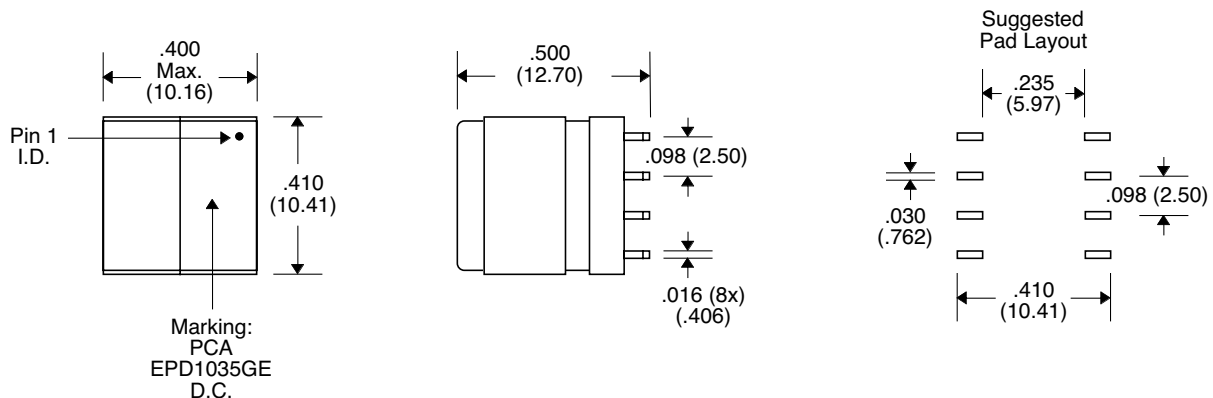
Inductance (μ H \pm 5%)	Dielectric (Vdc)	Leakage Inductance (μ H Max.)	Interwinding Capacitance (pF Max.)	Total Harmonic Distortion (dB Max.)	Longitudinal Balance (dB Min.)	DCR ($\Omega \pm$ 10%)	
@ 10 KHz , 0.1 Vrms	@ 500 μ A Max. Leakage	@ 100 KHz, 0.1 Vrms	@ 100 KHz, 0.1 Vrms	@ 10 KHz, 1.5 Vrms	30 KHz - 1.1 MHz		
470	650	17	7.0	-72	-55	1.50	2.00
Pins 8-5 with 6-7 shorted	Core to Wdg's	Pins 8-5 with 6-7, 1-2-3-4 shorted	Pri.-Sec.	Line Side	---	Pins 1-3/2-4	Pins 8-6/7-5

• Line Side Impedance : 100 Ω •

Schematic



Package



Unless Otherwise Specified Dimensions are in Inches /mm \pm .010 / .25