

KR Electronics 2649-1 Bandpass Filter

General Description

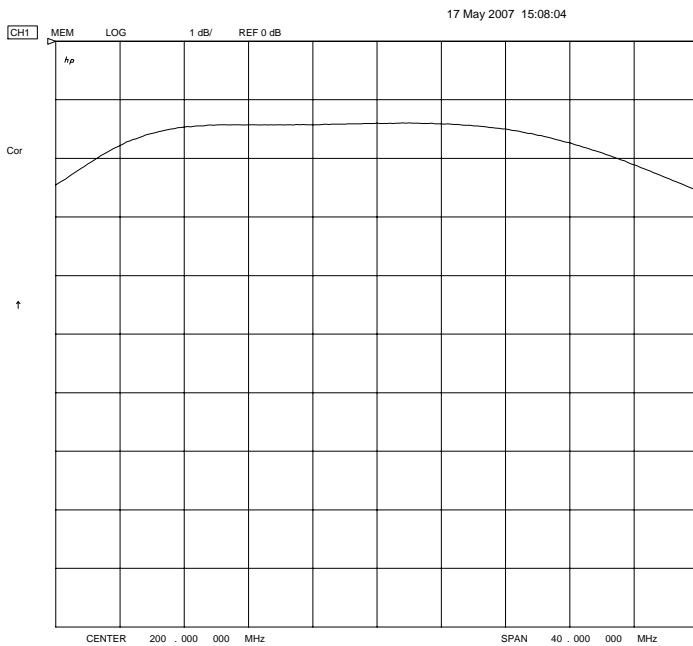
KR 2649-1 is a 200 MHz bandpass filter. Other center frequencies and bandwidths available. Please consult the factory.

Features

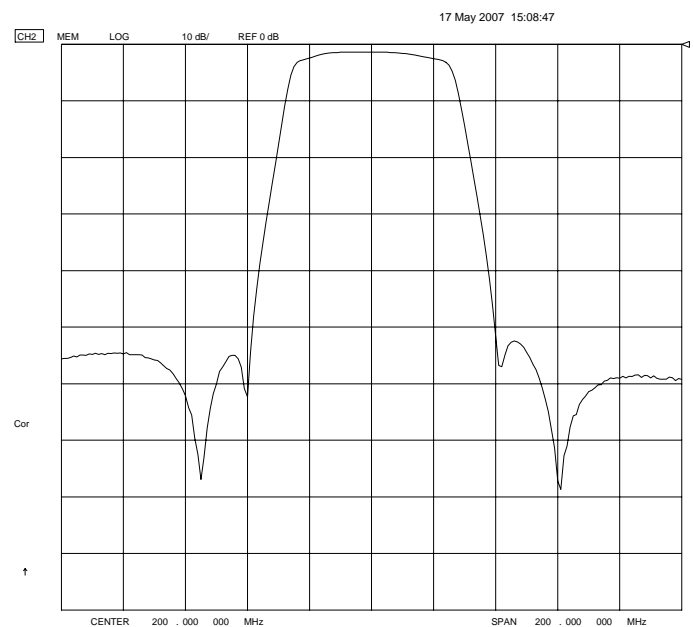
- Surface Mount Package
- Sharp Transition to Stopband
- 50 Ω Source and Load

Typical Performance

Passband Amplitude
(1 dB/div)



Overall Response
(10 dB/div)



KR Electronics, Inc.
91 Avenel Street
Avenel, NJ 07001

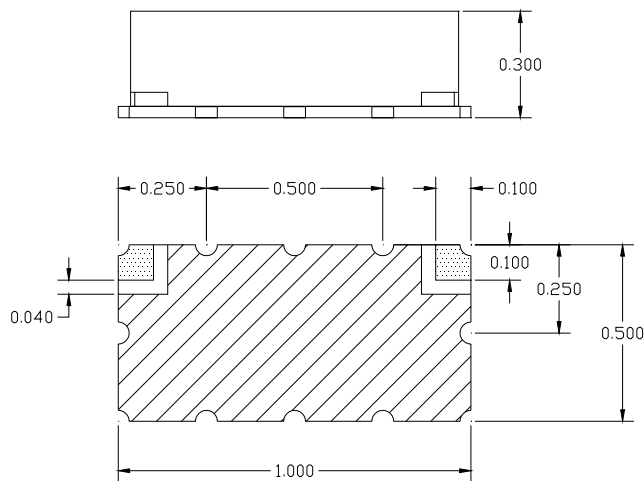
Web www.krfilters.com
Email sales@krfilters.com
Phone (732) 636-1900
Fax (732) 636-1982

KR Electronics 2649-1 Bandpass

Specifications

Parameter	Specification
Filter type	Bandpass
Center Frequency	200 MHz
Insertion Loss	< 2.5 dB (1.5 dB typical)
Bandwidth (3 dB)	40 MHz min (50 MHz typical)
Stopband Attenuation 159 MHz	50 dB min
Stopband Attenuation 241 MHz	50 dB min
Source and Load	50 Ω

Physical Dimensions



Notes:

1. Surface mount package — Metal cover, open frame
2. Dimensions in inches
3. Max reflow temperature 209° C for 10 sec
4. If boards are cleaned after installation, units must be completely dried