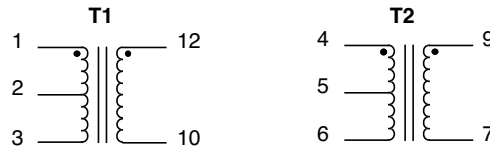


- Designed for 2.048 MBPS Applications
- Contains both Transmit and Receive Transformers
- 1500 Vrms Isolation
- Packaged in Tubes

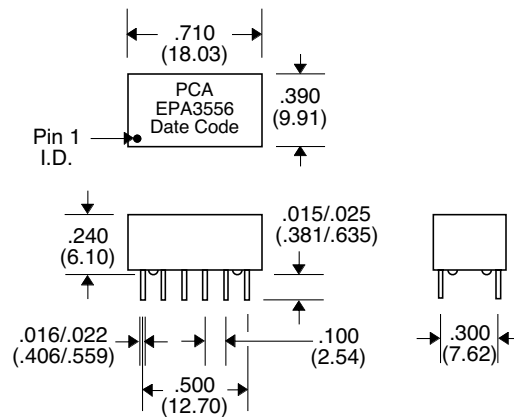
Electrical Parameters @ 25° C

Inductance (mH Min.)	Leakage Inductance (μ H Max.)	Interwinding Capacitance (pF Max.)	Insertion Loss (dB Max.)	Return Loss (dB Min.)			DCR (Ω Max.)
				@ 2.05 MHz to 2.102 MHz	@ 2.102 MHz to 2.048 MHz	@ 2.048 MHz to 3.072 MHz	
@ 100 KHz, 0.1 Vrms	@ 100 KHz, 0.1 Vrms	@ 100 KHz, 0.1 Vrms	@ 1 MHz to 3 MHz				
1.2	0.6	35	-0.25	-12	-18	-14	0.80
Pins 9-7 or Pins 10-12	Pins 10-12 w 1/2/3 shorted Pins 9-7 w 4/5/6 shorted	Wdg. to Wdg.					Pins 9-7 or 10-12

Schematic



Package



Unless Otherwise Specified Dimensions are in Inches /mm $\pm .010 / .25$