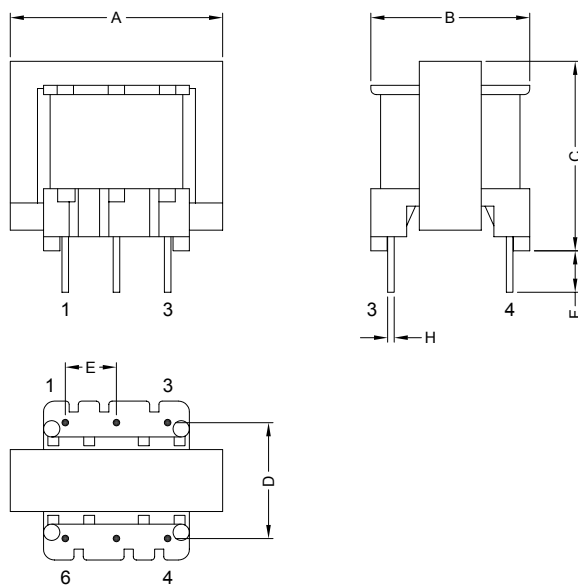


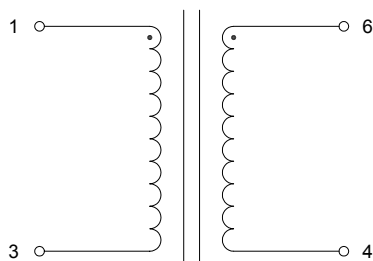
1. CONFIGURATION & DIMENSIONS :



Unit:m/m

A	B	C	D	E	F	H
20.50 Max.	15.50 Max.	17.50 Max.	11.00±0.30	4.70±0.30	4.00±0.50	Ø0.70 Ref.

2. SCHEMATIC :



3. SCHEMATIC :

- a) Bobbin : PBT
- b) Core : EI19
- c) Wire : Polyurethane DD (2UEW)
- d) Tape : Polyester Film
- e) Varnish : Synthite AC-43
- f) Nomex : 5mil



RoHS Compliant

NOTE : Specifications subject to change without notice. Please check our website for latest information.

18.06.2008



SUPERWORLD ELECTRONICS (S) PTE LTD

4. GENERAL SPECIFICATION :

- a) Operating Temperature Range : -25°C to +105°C
- b) Insulation Class : B (130°C)

5. ELECTRICAL CHARACTERISTICS :

Part No.	Impedance (Z)	Conditions	Test Frequency	DCR @ 25°C
SEIB9VTF-50726	Z : (1-3) = 600Ω±15%	Load : 6-4 = 470Ω	1KHz 1V	(1-3) = 150Ω Max.
				(6-4) = 150Ω Max.



RoHS Compliant

NOTE : Specifications subject to change without notice. Please check our website for latest information.

18.06.2008



SUPERWORLD ELECTRONICS (S) PTE LTD