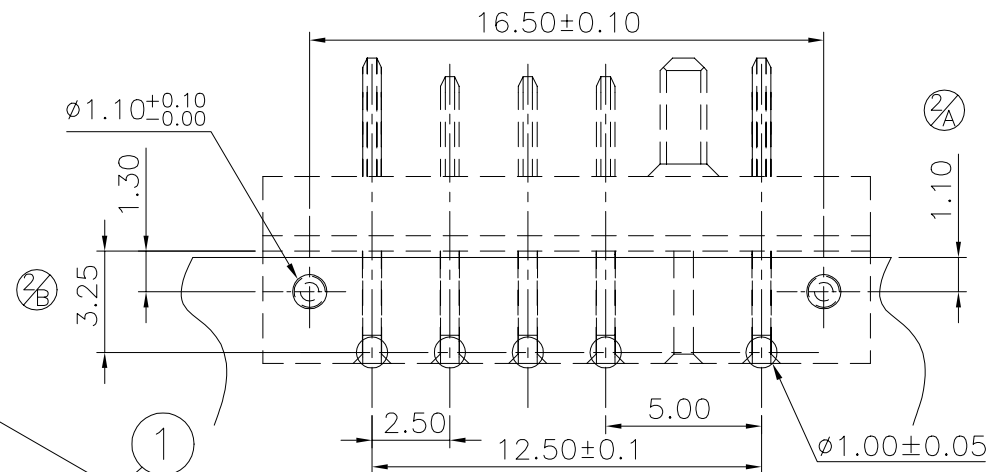
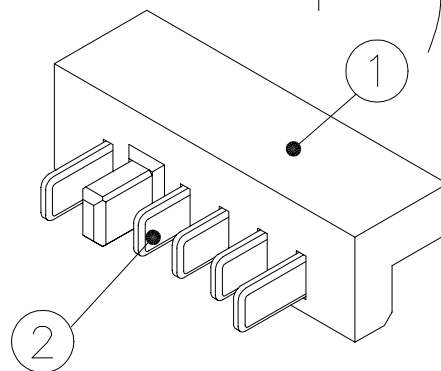


Recommended P.C.B Layout (Component Side)
P.C.B Thickness = 0.8mm



NOTE:
250237MR005 □ 15ZL

1. Selective plating
 - G1-05u" Gold over Nickel.
 - G2-Indicate Gold flash
 - G3-10u" Gold over Nickel.
 - G4-15u" Gold over Nickel.
 - G5-30u" Gold over Nickel.



| 4 | | | | |
|-----|-------------|------------|-------|-------------|
| 3 | | | | |
| 2 | Terminal | Copper | | Gold Plated |
| 1 | Plastics | High Temp. | BLACK | UL94V-0 |
| NO. | DESCRIPTION | MATERIAL | COLOR | REMARK |

SUYIN
CONNECTOR

CUSTOMER COPY TITLE: 2.50mm PITCH Battery MALE R/A DIP TYPE

PART NO. 250237MR005GX15ZL

PART NO. (OLD)

DRAWING NO. ^D 250237MR005GX15ZL _{ING}

SCALE 4:1 UNIT mm A4

| | | | | | | | | | |
|----------------|-----|----------|--|--------|--------|---|--------|-----|----------|
| | B | | B1:修改第一PIN與最後PIN與防呆PIN間高度;B2: ADD 3.25 B3:ADD 3.80±0.10 | | | Angle 30 ~ ±2° ±0.50 | DRAW | 蔣志向 | 04/07/30 |
| EC1T-040909-27 | A | 04/09/09 | A1:3.70±0.15->3.70±0.15;A2:ADD1.10 | 郭河杉 | 宋權哲 | 10 ~ 30 ±0.30 | DESIGN | 蔣志向 | 04/07/30 |
| | O | 04/08/09 | NEW | | | ~ 10 ±0.15 | CHECK | 徐慶禧 | 04/07/30 |
| ECN (DCN) NO. | REV | DATE | DESCRIPTION | CHANGE | APPRO. | GENERAL TOLERANCE UNLESS OTHERWISE NOTED | APPRO. | 周孫宇 | 04/07/30 |