



Frontier Electronics Corp.

667 E. COCHRAN STREET, SIMI VALLEY, CA 93065

TEL: (805) 522-9998 FAX: (805) 522-9989

E-mail: frontiersales@frontierusa.com

Web: frontierusa.com

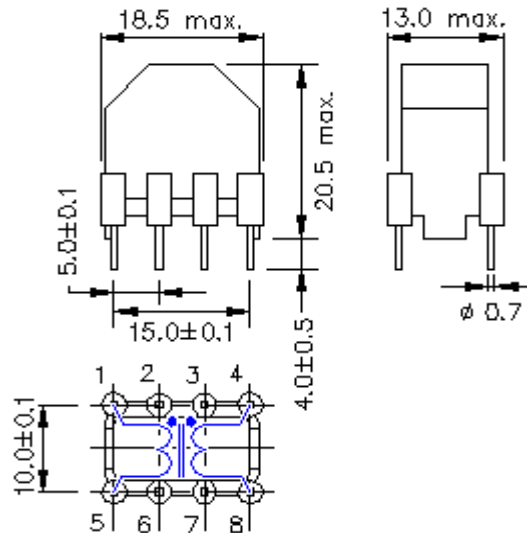
Common Mode Line Filters—3112 series

A. Specifications:

Part Number	Inductance (uH)	/ L1-L2/ (uH) Max.	DCR (OHMS) Max.	Rated Current (A) RMS.
3112-11	2 x 0.4	0.04	0.06	2.6
3112-12	2 x 1.0	0.10	0.10	2.0
3112-13	2 x 3.3	0.33	0.17	1.5
3112-14	2 x 6.8	0.68	0.28	1.2
3112-15	2 x 10	1.00	0.55	0.7
3112-16	2 x 15	1.50	0.83	0.5
3112-17	2 x 27	2.70	1.80	0.4
3112-18	2 x 39	3.90	1.90	0.4

Original P/N is 3110122-series. (All the spec remains the same, except Frontier reassign the P/N and change to 3112-series.)

B. Mechanical Dimensions:



C. General information:

1. Test Condition: 1.0KHz / 1V.
2. Electrical specifications at 25°C.
3. Temperature Rise: 40°C.
4. Operating temperature: -20°C TO +105°C.
5. Insulation Resistance: 100M OHMS at 500VDC.
6. Rated Voltage: 100V to 270V / 50-60 Hz.
7. Hi-Pot Voltage: 1500VAC for one minute.
8. For **“LEAD FREE”** / **“RoHS”** parts, we add **“-LF”** / **“-LFR”** after the part number.

★ *Custom specifications are available.*