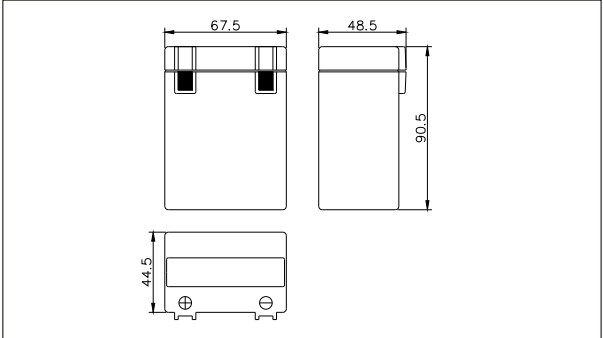




SW832(8V3.2AH)



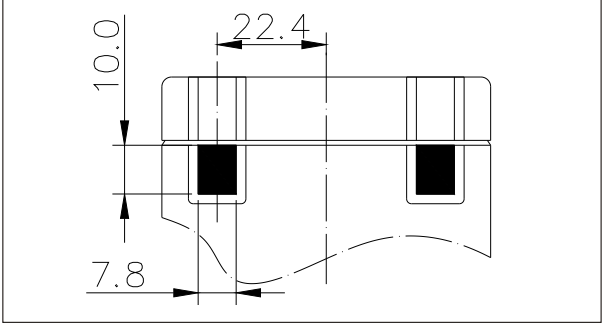
● **Outer dimensions (mm)**



● **Specifications**

Nominal Voltage		8 V
Rated capacity (20hour rate)		3.2 Ah
Dimensions	Total Height	90.5 mm (3.56 inches)
	Height	90.5 mm(3.56 inches)
	Length	67.5 mm(2.66 inches)
	Width	48.5 mm(1.91 inches)
Weight Approx		0.73 Kg (1.61 lbs)

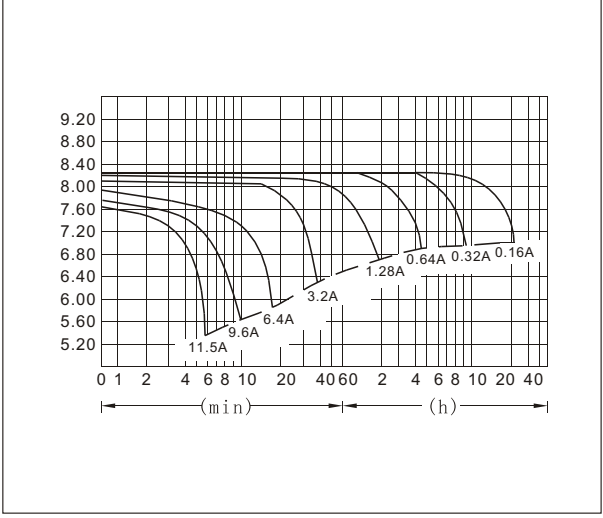
● **Terminal Type (mm)**



● **Characteristics**

Capacity 25°C(77°F)	20 hour rate(0.160A)	3.20 AH
	10 hour rate(0.29A)	2.94 AH
	5 hour rate(0.54A)	2.72 AH
	1 hour rate(1.92A)	1.92 AH
	1.5 hour discharge to 5.25 V	1.38 A
Internal Resistance Full charged Battery at 25°C(77°F)		34 mΩ
Capacity affected by Temperature (20hour rate)	40°C(104°F)	102%
	25°C(77°F)	100%
	0°C(32°F)	85%
	-15°C(5°F)	65%
Self-Discharge at 25°C(77°F)	Capacity after 3 month storage	91%
	Capacity after 6 month storage	82%
	Capacity after 12 month storage	64%
Terminal		T25
Charge (constant Voltage)	Cycle	Initial Charging Current less than 1.28A Voltage 9.60-9.80V
	Float	Voltage 9.00-9.20V

● **Discharge Curves 25°C(77°F)**



Constant Current(Amp) and Constant Power(Watt) Discharge Table at 25°C(77°F)												
Time	5min	10min	15min	30min	1h	2h	3h	4h	5h	8h	10h	20h
6.40V	A	11.5	7.6	5.6	3.7	1.9	1.12	0.82	0.66	0.56	0.37	0.17
	W	80	54	40	26.4	13.9	8.2	6.12	4.96	4.26	2.84	1.28
6.80V	A	10.6	7.2	5.1	3.5	1.8	1.07	0.80	0.64	0.55	0.36	0.16
	W	76	54	38	26.1	13.6	8.3	6.18	4.96	4.28	2.84	1.26
7.00V	A	9.6	6.8	4.8	3.4	1.7	1.05	0.79	0.61	0.55	0.36	0.16
	W	70	51	37	26.0	13.4	8.1	6.11	4.75	4.25	2.83	1.26
7.20V	A	9.2	6.5	4.5	3.3	1.7	1.03	0.77	0.60	0.52	0.35	0.16
	W	69	50	34	25.4	13.1	8.0	6.08	4.70	4.10	2.77	1.24
7.40V	A	8.5	6.1	4.2	3.2	1.6	1.00	0.73	0.59	0.50	0.34	0.15
	W	65	47	32	25.0	12.7	7.9	5.80	4.66	3.96	2.73	1.23