



Not for new design, this product will be obsoleted soon

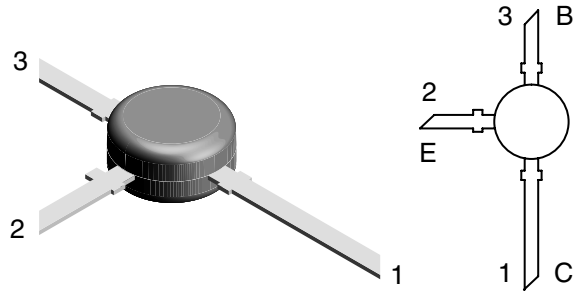
BFR96TS

Vishay Semiconductors

Silicon NPN Planar RF Transistor

Features

- High power gain
- Low noise figure
- High transition frequency
- Lead (Pb)-free component
- Component in accordance to RoHS 2002/95/EC and WEEE 2002/96/EC



19039

Applications

RF amplifier up to GHz range specially for wide band antenna amplifier.



Electrostatic sensitive device.
Observe precautions for handling.

Mechanical Data

Case: TO-50 Plastic case

Weight: approx. 111 mg

Marking: BFR96TS

Pinning: 1 = Collector, 2 = Emitter, 3 = Base

Absolute Maximum Ratings

T_{amb} = 25 °C, unless otherwise specified

Parameter	Test condition	Symbol	Value	Unit
Collector-base voltage		V _{CBO}	20	V
Collector-emitter voltage		V _{CEO}	15	V
Emitter-base voltage		V _{EBO}	2.5	V
Collector current		I _C	100	mA
Total power dissipation	T _{amb} ≤ 45 °C	P _{tot}	700	mW
Junction temperature		T _j	150	°C
Storage temperature range		T _{stg}	- 65 to + 150	°C

Maximum Thermal Resistance

Parameter	Test condition	Symbol	Value	Unit
Junction ambient	1)	R _{thJA}	150	K/W

1) on glass fibre printed board (40 x 25 x 1.5) mm³ plated with 35 μm Cu

Electrical DC Characteristics

$T_{amb} = 25\text{ }^{\circ}\text{C}$, unless otherwise specified

Parameter	Test condition	Symbol	Min	Typ.	Max	Unit
Collector-emitter cut-off current	$V_{CE} = 20\text{ V}, V_{BE} = 0$	I_{CES}			100	μA
Collector-base cut-off current	$V_{CB} = 10\text{ V}, I_E = 0$	I_{CBO}			100	nA
Emitter-base cut-off current	$V_{EB} = 2.5\text{ V}, I_C = 0$	I_{EBO}			10	μA
Collector-emitter breakdown voltage	$I_C = 5\text{ mA}, I_B = 0$	$V_{(BR)CEO}$	15			V
DC forward current transfer ratio	$V_{CE} = 10\text{ V}, I_C = 70\text{ mA}$	h_{FE}	25	75	150	

Electrical AC Characteristics

$T_{amb} = 25\text{ }^{\circ}\text{C}$, unless otherwise specified

Parameter	Test condition	Symbol	Min	Typ.	Max	Unit
Transition frequency	$V_{CE} = 10\text{ V}, I_C = 70\text{ mA},$ $f = 500\text{ MHz}$	f_T		5		GHz
Collector-base capacitance	$V_{CB} = 10\text{ V}, f = 1\text{ MHz}$	C_{cb}		0.85		pF
Collector-emitter capacitance	$V_{CE} = 10\text{ V}, f = 1\text{ MHz}$	C_{ce}		0.4		pF
Emitter-base capacitance	$V_{EB} = 0.5\text{ V}, f = 1\text{ MHz}$	C_{eb}		3.5		pF
Noise figure	$V_{CE} = 10\text{ V}, I_C = 70\text{ mA},$ $Z_S = 50\ \Omega, f = 500\text{ MHz}$	F		3.3		dB
	$V_{CE} = 10\text{ V}, I_C = 70\text{ mA},$ $Z_S = 50\ \Omega, f = 800\text{ MHz}$	F		4.0		dB
Power gain	$V_{CE} = 10\text{ V}, I_C = 70\text{ mA},$ $Z_S = 50\ \Omega, Z_L = Z_{Lopt},$ $f = 800\text{ MHz}$	G_{pe}		11.5		dB
Linear output voltage - two tone intermodulation test	$V_{CE} = 10\text{ V}, I_C = 70\text{ mA},$ $d_{IM} = 60\text{ dB}, f_1 = 806\text{ MHz},$ $f_2 = 810\text{ MHz}, Z_S = Z_L = 50\ \Omega$	$V_1 = V_2$		500		mV
Third order intercept point	$V_{CE} = 10\text{ V}, I_C = 70\text{ mA},$ $f = 800\text{ MHz}$	IP_3		37		dBm



Common Emitter S-Parameters

$Z_0 = 50 \Omega$, $T_{amb} = 25 \text{ }^\circ\text{C}$, unless otherwise specified

V_{CE}/V	I_C/mA	f/MHz	S11		S21		S12		S22	
			LIN MAG	ANG	LIN MAG	ANG	LIN MAG	ANG	LIN MAG	ANG
				deg		deg		deg		deg
5	5	100	0.691	-68.6	11.94	137.4	0.044	59.4	0.807	-28.82
		300	0.552	-135.5	6.04	100.7	0.071	46.5	0.521	-45.0
		500	0.518	-162.6	3.85	84.4	0.087	49.4	0.453	-51.6
		800	0.499	173.8	2.47	68.1	0.114	55.7	0.444	-63.0
		1000	0.488	162.5	1.99	59.7	0.136	58.7	0.458	-71.3
		1200	0.477	152.5	1.68	52.3	0.161	60.2	0.478	-79.3
		1500	0.459	139.2	1.37	43.1	0.203	60.5	0.515	-91.2
		1800	0.446	125.8	1.15	34.7	0.247	59.0	0.553	-102.4
5	10	100	0.427	118.9	1.05	29.9	0.272	57.6	0.577	-109.4
		300	0.538	-92.3	17.08	126.6	0.035	57.6	0.672	-38.9
		500	0.465	-152.7	7.31	94.9	0.060	57.1	0.389	-51.7
		800	0.452	-173.7	4.51	81.7	0.085	61.7	0.341	-57.7
		1000	0.444	167.6	2.87	67.7	0.125	64.1	0.343	-69.2
		1200	0.436	157.3	2.31	60.3	0.153	64.0	0.359	-77.5
		1500	0.429	148.6	1.96	53.5	0.182	63.0	0.379	-85.2
		1800	0.413	136.4	1.59	44.7	0.227	60.3	0.415	-96.2
5	30	100	0.403	124.0	1.35	36.5	0.271	57.0	0.451	-106.4
		300	0.387	116.8	1.24	31.8	0.294	54.8	0.474	-112.6
		500	0.387	-134.8	22.79	112.9	0.024	65.1	0.467	-52.1
		800	0.401	-172.7	8.44	89.5	0.055	71.8	0.255	-60.2
		1000	0.400	174.0	5.13	79.0	0.088	72.5	0.234	-67.0
		1200	0.401	160.7	3.25	67.1	0.137	69.9	0.249	-79.7
		1500	0.392	152.5	2.61	60.5	0.170	67.7	0.269	-87.9
		1800	0.390	144.5	2.21	54.2	0.202	64.8	0.291	-95.2
5	50	100	0.375	133.8	1.81	46.1	0.249	60.2	0.326	-105.1
		300	0.370	121.9	1.54	38.3	0.293	55.6	0.362	-113.7
		500	0.351	115.4	1.41	33.6	0.315	52.7	0.383	-119.0
		800	0.370	-150.0	23.94	109.0	0.022	69.6	0.399	-55.7
		1000	0.395	-177.8	8.62	87.9	0.055	75.4	0.221	-62.3
		1200	0.395	171.3	5.23	78.1	0.090	74.8	0.208	-69.7
		1500	0.395	159.1	3.30	66.7	0.140	71.1	0.229	-82.8
		1800	0.389	150.9	2.66	60.2	0.173	68.2	0.250	-90.8
5	70	100	0.386	143.3	2.25	54.0	0.206	65.1	0.273	-98.0
		300	0.373	133.2	1.83	45.8	0.253	60.1	0.308	-107.5
		500	0.363	121.7	1.56	38.2	0.297	55.4	0.343	-115.7
		800	0.348	115.4	1.43	33.5	0.319	52.5	0.364	-120.8
		1000	0.374	-157.4	24.17	107.0	0.021	73.0	0.364	-56.8
		1200	0.397	-179.7	8.60	87.1	0.055	77.4	0.206	-62.5
		1500	0.399	170.0	5.19	77.7	0.090	75.7	0.197	-70.3
		1800	0.398	158.4	3.29	66.2	0.141	71.6	0.221	-83.6
5	2000	100	0.394	150.3	2.65	59.8	0.175	68.6	0.243	-91.7
		300	0.389	143.3	2.24	53.5	0.207	65.3	0.267	-98.8
		500	0.378	132.8	1.82	45.4	0.255	60.3	0.303	-108.2
		800	0.368	121.7	1.55	37.7	0.299	55.4	0.338	-116.3
		1000	0.355	114.9	1.42	32.9	0.321	52.5	0.359	-121.3
		1200	0.374	-157.4	24.17	107.0	0.021	73.0	0.364	-56.8
		1500	0.397	-179.7	8.60	87.1	0.055	77.4	0.206	-62.5
		1800	0.399	170.0	5.19	77.7	0.090	75.7	0.197	-70.3

V _{CE} /V	I _C /mA	f/MHz	S11		S21		S12		S22	
			LIN MAG	ANG	LIN MAG	ANG	LIN MAG	ANG	LIN MAG	ANG
				deg		deg		deg		deg
10	5	100	0.710	-62.3	12.15	140.0	0.036	61.8	0.844	-23.2
		300	0.542	-129.2	6.46	103.2	0.061	48.7	0.591	-36.7
		500	0.497	-157.8	4.14	86.6	0.075	51.4	0.528	-42.4
		800	0.479	177.3	2.66	70.2	0.099	58.2	0.519	-52.7
		1000	0.464	165.3	2.14	61.8	0.118	61.7	0.533	-60.5
		1200	0.454	155.0	1.81	54.5	0.141	63.7	0.550	-68.3
		1500	0.438	141.0	1.45	45.0	0.178	64.5	0.585	-79.8
		1800	0.427	127.6	1.23	36.5	0.219	63.7	0.623	-91.0
10	10	100	0.544	-83.4	17.99	129.3	0.029	60.1	0.722	-31.2
		300	0.436	-146.3	7.94	96.9	0.052	58.8	0.463	-40.3
		500	0.417	-169.2	4.94	83.4	0.073	63.5	0.419	-45.2
		800	0.410	170.8	3.14	69.6	0.109	66.4	0.419	-55.8
		1000	0.397	160.5	2.52	62.1	0.134	66.8	0.433	-63.6
		1200	0.394	151.1	2.13	55.5	0.160	66.1	0.450	-71.3
		1500	0.384	139.1	1.73	46.6	0.201	63.8	0.483	-82.5
		1800	0.372	125.9	1.46	38.1	0.241	61.1	0.520	-93.0
10	30	100	0.356	-122.3	24.66	115.3	0.021	66.0	0.525	-40.2
		300	0.351	-167.1	9.31	90.0	0.048	72.5	0.333	-42.5
		500	0.349	178.4	5.65	80.5	0.077	73.6	0.313	-48.0
		800	0.351	164.4	3.59	68.7	0.121	71.6	0.323	-60.0
		1000	0.348	155.5	2.88	62.2	0.150	69.7	0.340	-68.3
		1200	0.343	147.4	2.44	56.0	0.179	67.3	0.358	-76.2
		1500	0.334	136.6	1.97	47.6	0.222	63.2	0.390	-87.2
		1800	0.328	124.7	1.68	39.6	0.262	59.1	0.426	-97.0
10	50	100	0.325	-137.8	26.14	110.8	0.019	69.8	0.457	-41.9
		300	0.337	-172.8	9.52	89.1	0.049	75.9	0.299	-42.2
		500	0.339	174.8	5.78	79.3	0.079	75.7	0.286	-48.2
		800	0.343	162.2	3.65	68.1	0.123	72.6	0.300	-61.0
		1000	0.337	154.3	2.94	61.8	0.153	70.1	0.318	-69.7
		1200	0.334	146.6	2.48	55.6	0.183	67.4	0.338	-77.6
		1500	0.327	136.1	2.02	47.5	0.226	63.0	0.370	-88.5
		1800	0.322	124.1	1.70	39.6	0.267	58.7	0.406	-98.2
10	70	100	0.323	-145.1	26.39	108.4	0.018	72.0	0.424	-41.8
		300	0.339	-175.6	9.46	88.1	0.049	76.9	0.287	-41.1
		500	0.339	174.1	5.74	78.8	0.079	76.3	0.278	-47.7
		800	0.344	162.0	3.62	67.5	0.124	72.8	0.295	-61.0
		1000	0.341	153.8	2.92	61.1	0.154	70.4	0.313	-69.7
		1200	0.340	146.2	2.46	55.0	0.184	67.6	0.333	-77.6
		1500	0.333	135.6	1.99	46.8	0.227	63.0	0.367	-88.7
		1800	0.326	14.2	1.68	39.0	0.268	58.6	0.403	-98.4
		2000	0.318	117.8	1.54	34.0	0.289	55.9	0.425	-104.4

Typical Characteristics ($T_{amb} = 25\text{ }^{\circ}\text{C}$ unless otherwise specified)

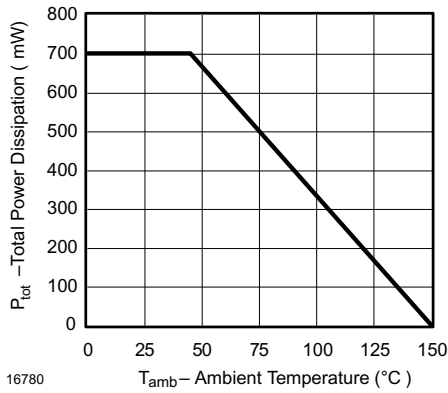


Figure 1. Total Power Dissipation vs. Ambient Temperature

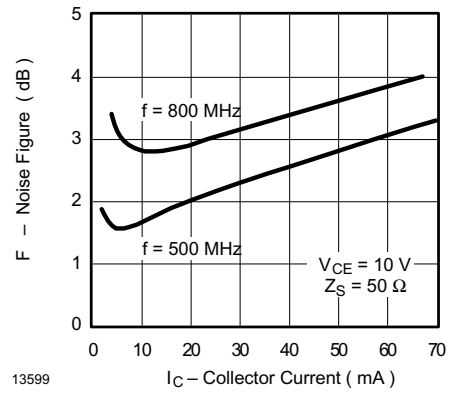


Figure 4. Noise Figure vs. Collector Current

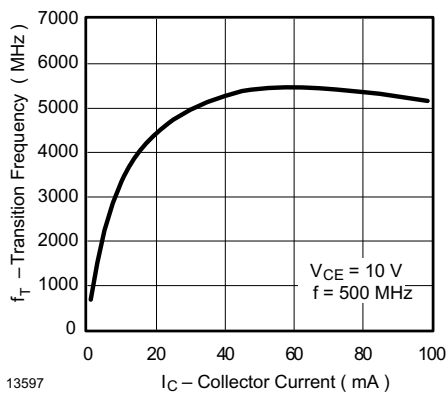


Figure 2. Transition Frequency vs. Collector Current

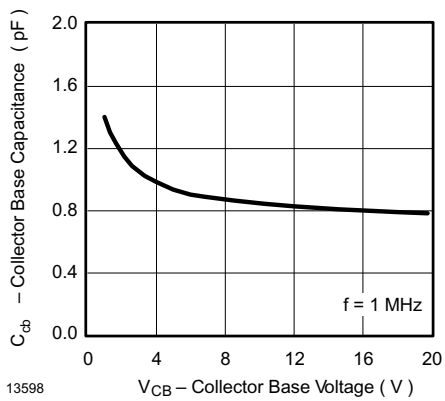


Figure 3. Collector Base Capacitance vs. Collector Base Voltage

$V_{CE} = 10\text{ V}$, $I_C = 70\text{ mA}$, $Z_0 = 50\ \Omega$

S_{11}

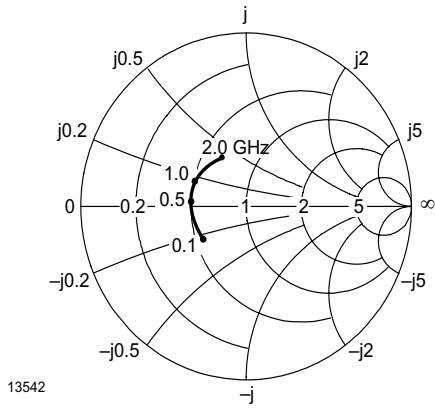


Figure 5. Input Reflection Coefficient

S_{21}

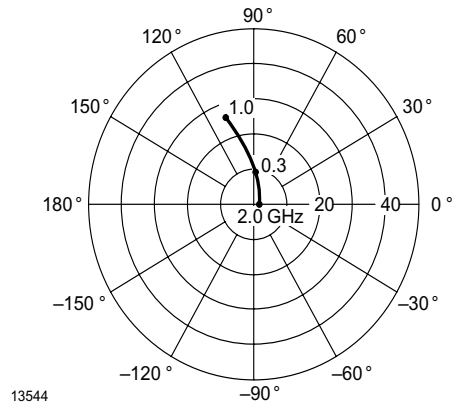


Figure 7. Forward Transmission Coefficient

S_{12}

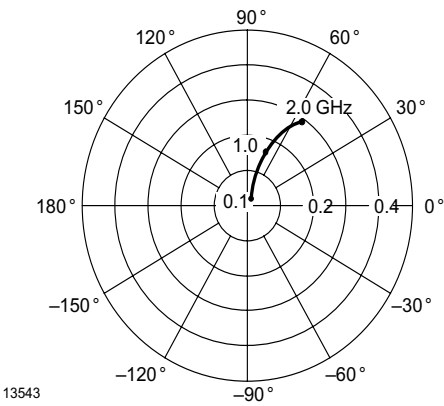


Figure 6. Reverse Transmission Coefficient

S_{22}

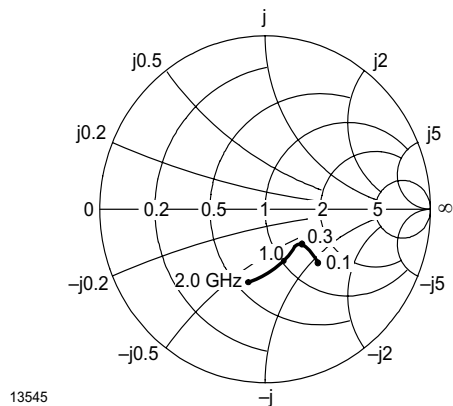
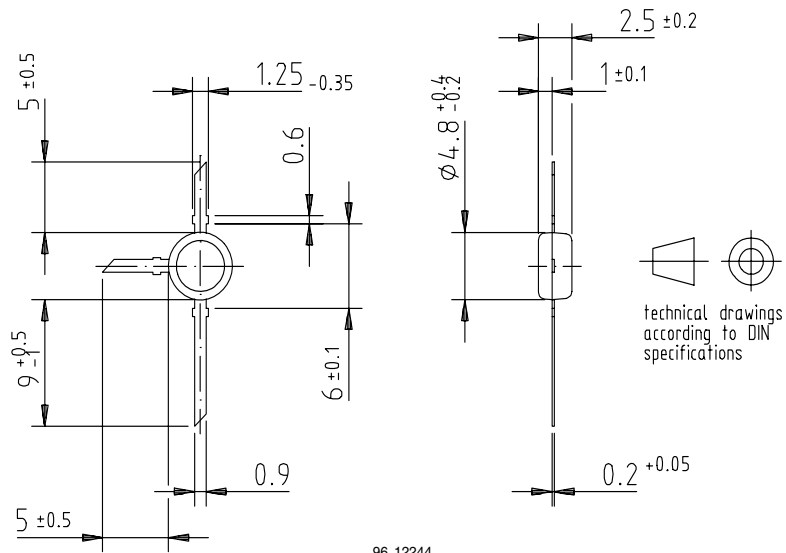


Figure 8. Output Reflection Coefficient

Package Dimensions in mm



96 12244

Ozone Depleting Substances Policy Statement

It is the policy of Vishay Semiconductor GmbH to

1. Meet all present and future national and international statutory requirements.
2. Regularly and continuously improve the performance of our products, processes, distribution and operating systems with respect to their impact on the health and safety of our employees and the public, as well as their impact on the environment.

It is particular concern to control or eliminate releases of those substances into the atmosphere which are known as ozone depleting substances (ODSs).

The Montreal Protocol (1987) and its London Amendments (1990) intend to severely restrict the use of ODSs and forbid their use within the next ten years. Various national and international initiatives are pressing for an earlier ban on these substances.

Vishay Semiconductor GmbH has been able to use its policy of continuous improvements to eliminate the use of ODSs listed in the following documents.

1. Annex A, B and list of transitional substances of the Montreal Protocol and the London Amendments respectively
2. Class I and II ozone depleting substances in the Clean Air Act Amendments of 1990 by the Environmental Protection Agency (EPA) in the USA
3. Council Decision 88/540/EEC and 91/690/EEC Annex A, B and C (transitional substances) respectively.

Vishay Semiconductor GmbH can certify that our semiconductors are not manufactured with ozone depleting substances and do not contain such substances.

We reserve the right to make changes to improve technical design
and may do so without further notice.

Parameters can vary in different applications. All operating parameters must be validated for each customer application by the customer. Should the buyer use Vishay Semiconductors products for any unintended or unauthorized application, the buyer shall indemnify Vishay Semiconductors against all claims, costs, damages, and expenses, arising out of, directly or indirectly, any claim of personal damage, injury or death associated with such unintended or unauthorized use.

Vishay Semiconductor GmbH, P.O.B. 3535, D-74025 Heilbronn, Germany



Disclaimer

All product specifications and data are subject to change without notice.

Vishay Intertechnology, Inc., its affiliates, agents, and employees, and all persons acting on its or their behalf (collectively, "Vishay"), disclaim any and all liability for any errors, inaccuracies or incompleteness contained herein or in any other disclosure relating to any product.

Vishay disclaims any and all liability arising out of the use or application of any product described herein or of any information provided herein to the maximum extent permitted by law. The product specifications do not expand or otherwise modify Vishay's terms and conditions of purchase, including but not limited to the warranty expressed therein, which apply to these products.

No license, express or implied, by estoppel or otherwise, to any intellectual property rights is granted by this document or by any conduct of Vishay.

The products shown herein are not designed for use in medical, life-saving, or life-sustaining applications unless otherwise expressly indicated. Customers using or selling Vishay products not expressly indicated for use in such applications do so entirely at their own risk and agree to fully indemnify Vishay for any damages arising or resulting from such use or sale. Please contact authorized Vishay personnel to obtain written terms and conditions regarding products designed for such applications.

Product names and markings noted herein may be trademarks of their respective owners.