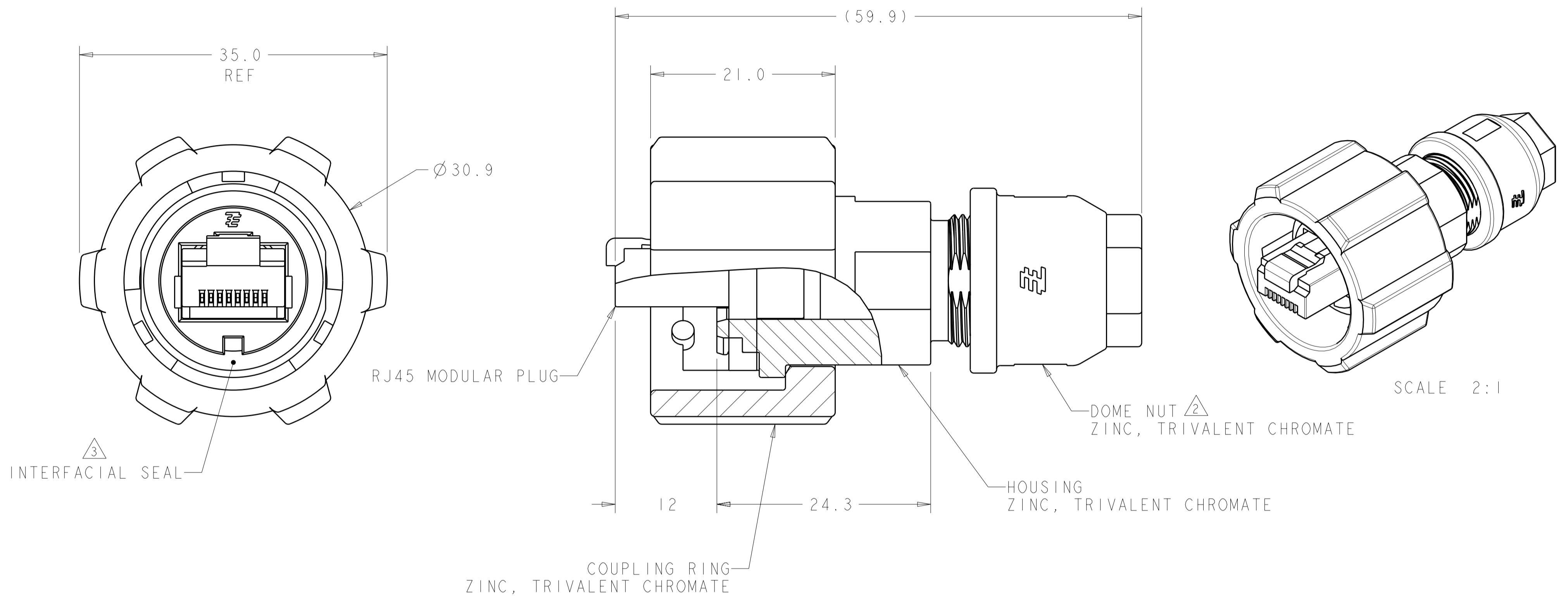


THIS DRAWING IS UNPUBLISHED. RELEASED FOR PUBLICATION 20
 © COPYRIGHT 20 BY TYCO ELECTRONICS CORPORATION. ALL RIGHTS RESERVED.

REVISIONS					
P	LTR	DESCRIPTION	DATE	DWN	APVD
	AI	REVISED PER ECO-09-010030	23APR2009	SS	MS



3 INTERFACIAL SEAL

RJ45 MODULAR PLUG

COUPLING RING
ZINC, TRIVALENT CHROMATE

HOUSING
ZINC, TRIVALENT CHROMATE

DOME NUT
ZINC, TRIVALENT CHROMATE

SCALE 2:1

SOLID WIRE	2008611-2
STRANDED WIRE	2008611-1
WIRE TYPE	PART NUMBER

- 1. CABLE DIAMETER RANGE: $\varnothing 4.5 - \varnothing 6.9$
- 2 36.9 IN-LBS TORQUE RECOMMENDED FOR DOME NUT.
- 3 INTERFACIAL SEAL IS SECURED TO HOUSING WITH ADHESIVE.

THIS DRAWING IS A CONTROLLED DOCUMENT FOR TYCO ELECTRONICS CORPORATION. IT IS SUBJECT TO CHANGE AND THE CONTROLLING ENGINEERING ORGANIZATION SHOULD BE CONTACTED FOR THE LATEST REVISION.		DWN S. WELDON 26MAR2008	Tyco Electronics Harrisburg, PA 17105-3608	
DIMENSIONS: mm		CHK C. HERTZLER 26MAR2008	NAME PLUG KIT, UNSHIELDED, INDUSTRIAL CIRCULAR ETHERNET CONNECTOR	
TOLERANCES UNLESS OTHERWISE SPECIFIED: 0 PLC ±1.0 1 PLC ±0.2 2 PLC ±0.10 3 PLC ±0.000 4 PLC ±0.0000 ANGLES ±1° FINISH		APVD C. HERTZLER 26MAR2008	PRODUCT SPEC 108-2198	RESTRICTED TO
MATERIAL		APPLICATION SPEC 114-13136	WEIGHT	SIZE A200779
		CUSTOMER DRAWING	SCALE 3:1	DRAWING NO C-2008611
			SHEET	OF
			REV	AI