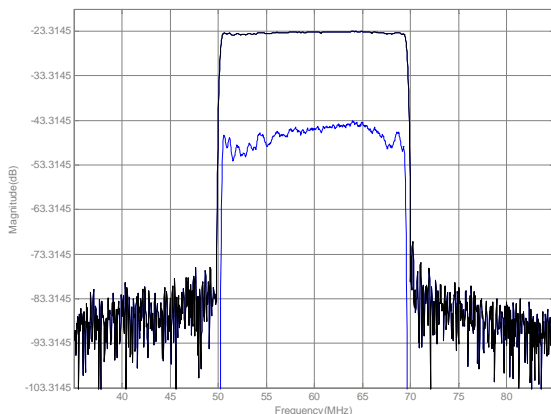




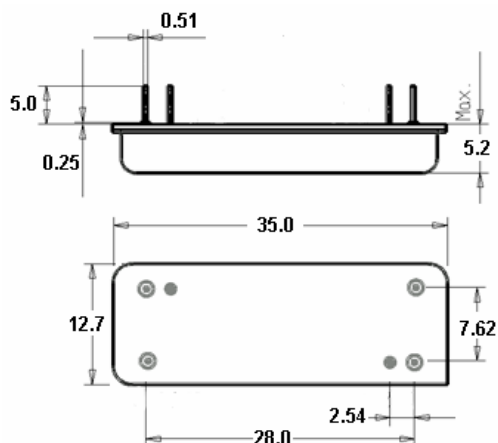
LBN06005 SAW Filter Electrical Characteristic

<i>Specifications</i>				
Parameter	Unit	Minimum	Typical	Maximum
Center Frequency	MHz	59.9	60	60.1
Insertion Loss	dB	-	23.3	25
1 dB Bandwidth	MHz	18.9	18.96	-
3 dB Bandwidth	MHz	19.2	19.23	-
40 dB Bandwidth	MHz	-	20.11	20.25
50 dB Bandwidth	MHz	-	20.19	20.35
Passband Variation	dB	-	0.8	1.0
Absolute Delay	usec	-	3.23	3.5
Ultimate Rejection	dB	50	53	-
Substrate Material		128 LiNbO3		
Ambient Temperature	°C	25		
Package Size		DIP3512 (35.0x12.7x5.2mm ³)		

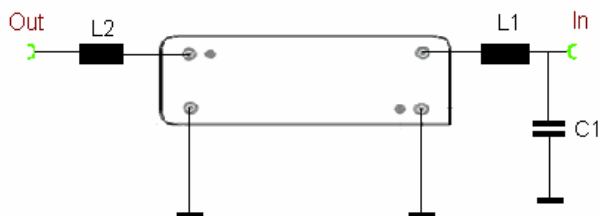
Typical Performance



Package Outline



Matching Configuration



L1=162nH L2=180nH C1=51pF

Source/Load Impedance=50 ohm

Notes - Component values may change depending on board layout.