

Model No.	OST10WG01GD-XXXXTA31B
REV.	C1

## T10 Round AUTO LED

### Descriptions:

- Green light source, fast response
- Long life, easy installation
- Voltages available 12VDC
- LED model number: XXXXTA31B

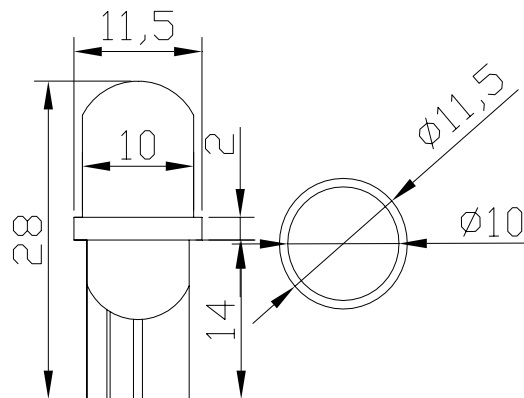
### Features:

- Available in red, yellow, green, blue, white
- High temperature and environmental protection PA material for lamp holder
- Low power consumption
- Energy saving
- Eye protection, no stroboflash, no radiation
- Long life

### Application:

- Dashboard Light
- Width-indicator Lamp
- Signal Light

### Product Picture and Dimensions:



Unit:mm



Model No.	OST10WG01GD-XXXXTA31B
REV.	C1

### Device Selection Guide

Module No.	Color	Wavelength (Typ.)	Intensity / Per LED (Typ.)	Overall luminous flux
R5RUTA31B	Red	625 nm	4900mcd	1.0lm
G5DUTA31B	Green	525 nm	39000mcd	3.5lm
B5YUTA31B	Blue	470 nm	11900mcd	0.6lm
Y5RUTA31B	Yellow	590 nm	4900mcd	1.0lm
W5YKTA31B	White	X=0.27,Y=0.28	23000mcd	3.0lm

### Absolute Maximum Ratings(Ta=25 )

Items	Symbol	Values	Units
Operating supply range(DC)	V <sub>idc</sub>	16	V
Input Current (DC)	I <sub>i</sub>	30	mA
Power Dissipation	P <sub>a</sub>	0.48	W
Operating Temperature	T <sub>ope</sub>	-10 ~ +40	DegC
Storage Temperature	T <sub>stg</sub>	-20 ~ +80	DegC

### Typical Performance (Ta=25 )

Items	Symbol	Min.	Typ.	Max.	Units
LED Module Power	P <sub>m</sub>	-	0.24	0.48	w
Input Voltage(DC)	V <sub>i</sub>	-	12	16	V
Product input Current	I <sub>f</sub>	-	20	30	mA
Beam Pattern	BP	-	30	-	Deg
Total diameter of PCB	L <sub>mod.</sub>	-	28	-	mm
Net Weight	Wei.	---	1.6	---	g