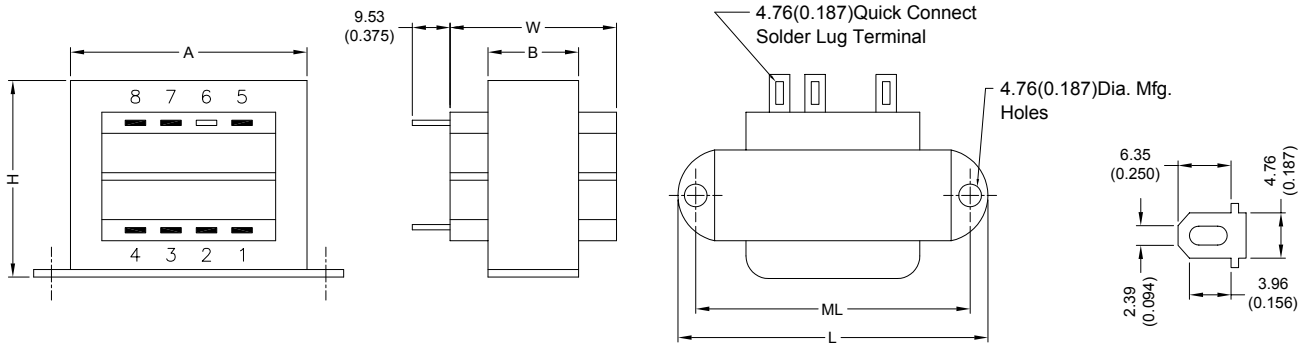


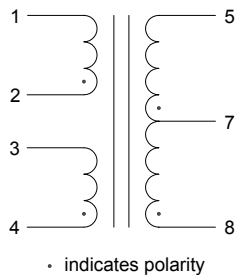
## 1. CONFIGURATION & DIMENSIONS :



UNIT : mm (inch)

| SIZE | VA | L                | W                | H                | A                | B                | ML               | gram   |
|------|----|------------------|------------------|------------------|------------------|------------------|------------------|--------|
| 4    | 6  | 60.33<br>(2.375) | 31.75<br>(1.250) | 34.93<br>(1.375) | 42.88<br>(1.688) | 17.48<br>(0.688) | 50.80<br>(2.000) | 199.58 |

## 2. SCHEMATIC :



## 3. ELECTRICAL CHARACTERISTICS ( @ 25°C ) :

|                                      |                                |
|--------------------------------------|--------------------------------|
| a. Primary Voltage                   | AC 115/230 V 50/60 Hz .        |
| b. No Load Primary Current           | Less Than 20mA / 25mA .        |
| c. Secondary Voltage (±5%)           |                                |
| Pin 5-8 C.T. Pin 7                   | AC 41.60 V / 41.60 V .         |
| d. Secondary Load Current            | 0.18A .                        |
| e. Full Load Primary Current         | Less Than 80mA / 45mA .        |
| f. Full Load Secondary Voltage (±5%) | 34.00V / 34.00V .              |
| Pin 5-8 C.T. Pin 7                   |                                |
| g. DC Resistance                     |                                |
| Pin 1-2                              | Primary-1 = 257 Ohm .          |
| Pin 3-4                              | Primary-2 = 317 Ohm .          |
| Pin 5-7                              | Secondary-1 = - Ohm .          |
| Pin 7-8                              | Secondary-2 = - Ohm .          |
| h. Insulation Resistance             | DC 500V 100Meg Ohm Of More .   |
| i. Withstand Voltage (Hi-Pot)        | AC 2500V 60Hz 1 Minutes .      |
| j. Temperature Rise                  | Less Than 60 Deg C .           |
| k. Core Size                         | EI-41 x 17.00 m/m .            |
| l. Turns & Wire Gauge                |                                |
| Primary-1 Pin 1-2                    | 1600 Turns Diameter 0.10 mm    |
| Primary-2 Pin 3-4                    | 1800 Turns Diameter 0.10 mm    |
| Secondary Pin 5-7-8                  | 290 x 2 Turns Diameter 0.23 mm |



**RoHS Compliant**

NOTE : Specifications subject to change without notice. Please check our website for latest information.

25.02.2008



**SUPERWORLD ELECTRONICS (S) PTE LTD**