

**NEW**



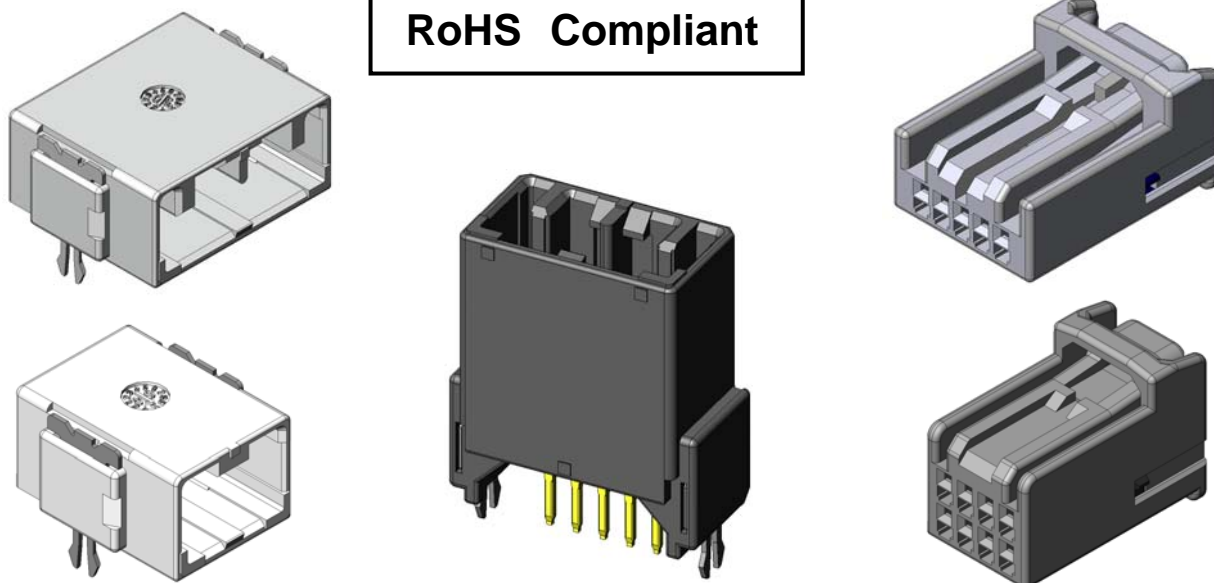
Compact Automotive Connectors for PCB-to-Cable Applications CONNECTOR

## MX34 Series (for Low Pin Counts)

MB-0175-1

October 2007

**RoHS Compliant**



Compact, single row type connectors have been developed to add to the existing line of MX34 Series connectors for automobiles.

The available pin counts are 3, 5 and 7 positions, available in straight and angle pin header type. (Straight type is available in 5 and 7 positions)

Hook pins are placed on both sides for easier board attachment. An 8 position, double row type has also been developed.

### Features

- Compact, single row PCB-to-cable connector with 2.2 mm horizontal pitch. (8 pos. is available in double row, 2.4mm pitch)
- Hook pins are placed on both sides for easier board attachment.
- Socket contact with box-type pin header is durable in external forces; contact is highly resistant to twisting and equipped with a proven double leaf spring. (In common with MX34 Series double row type)
- Adoption of a preset-type retainer facilitates easy wire harness operation. If retainer is not completely inserted in housing, the connector is not engaged, and incomplete contact insertion is detected.
- Lock spring is equipped with a bridge protecting the contacts from external load.

### General Specifications

- |   |   |
|---|---|
| • No. of contacts: Single row 3, 5, 7 pos.<br>Double row 8 pos. | • Rated current: 3A                             |
| • Contact resistance:<br>5m ohm max. (initial)                  | • Insulation resistance: 100M ohm min           |
| • Dielectric withstanding voltage:<br>AC 1000V (per minute)     | • Durability: 50 times                          |
| • Operating temperature:<br>-40 Deg. C to +85 Deg. C            | • Applicable wire:<br>Please refer to next page |

## Materials and Finishes

### •Socket Connector

Components	Materials and Finishes
Socket housing	PPE+PA66 (ALLOY)
Retainer	PPE+PA66 (ALLOY)

### •Pin Connector

Components	Materials and Finishes
Pin insulator	SPS GF 30
Pin contact	Brass/Sn plating
Hook pin	Copper alloy/Sn plating

### •Socket Contact

Components	Materials and Finishes
Socket contact	Highly conductive material/ Sn plating

## Applicable Wire

Part Number	Applicable Wire	SJ Drawing
M34S75C4F1	AVSS0.3mm <sup>2</sup> , CHFUS0.22mm <sup>2</sup> ~0.35mm <sup>2</sup>	SJ038527
M34S75C4F2	AVSS0.5mm <sup>2</sup> , CHFUS0.5mm <sup>2</sup> ~0.75mm <sup>2</sup>	SJ038528
M34S75C4F3	CAN SD 0.35mm <sup>2</sup> (note1)	SJ038747
M34S75C4F4	AVSS0.85mm <sup>2</sup> (note1)	SJ038893

Note 1: M34S75CF3 and M34S75CF4 can only be inserted in double row cavities on both sides, two housing cavities in total.

(8 position type can be inserted in any area.)

## Crimp Tool

Part Number	Hand Crimp Tool	Semi Automatic Applicator	Automatic Applicator
M34S75C4F1	CT150-2-MX34	350-MX34D-2	350-MX34D-3B
M34S75C4F2	CT150-1-MX34		
M34S75C4F3, 4	-----	350-MX34C-2	350-MX34C-3B

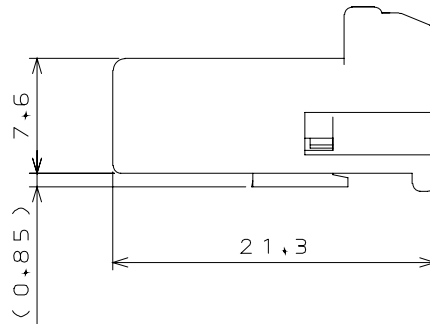
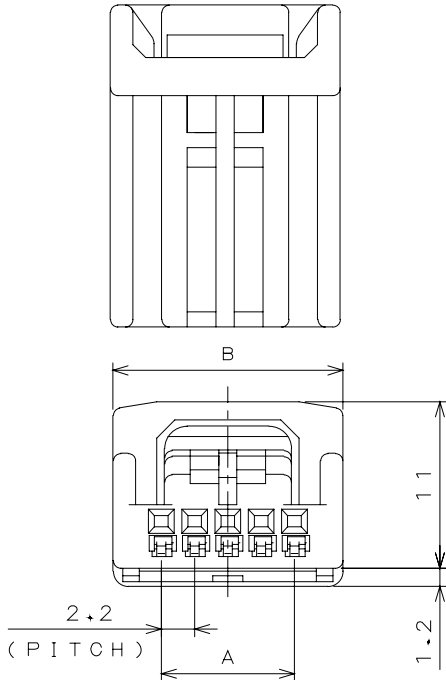
## Withdrawal Tool

ET-MX34-1

Outside Dimension

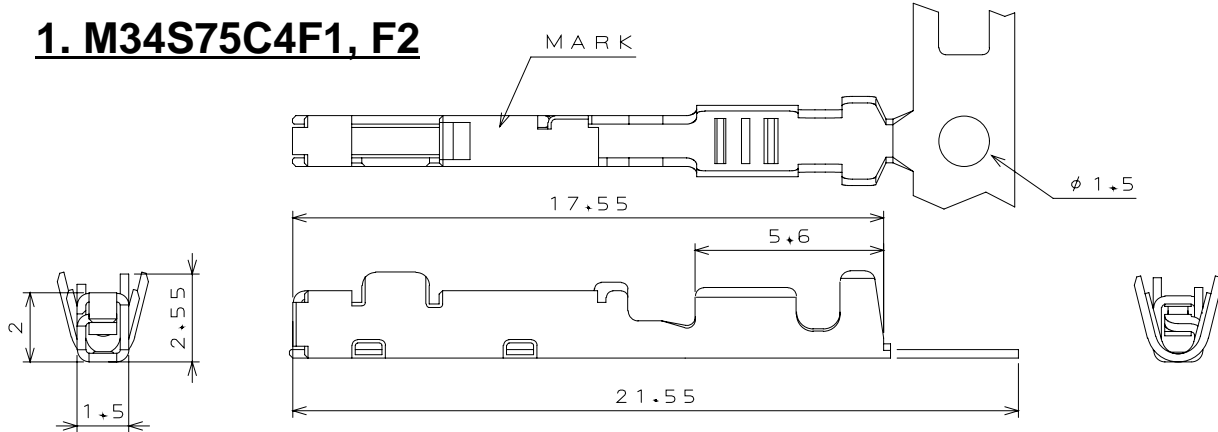
•Socket housing

No. of	Part Number	SJ Drawing	Diameter of each area	
			A	B
3	MX34003SF1	SJ100823	4.4	10.8
5	MX34005SF1	SJ100825	8.8	15.2
7	MX34007SF1	SJ104416	13.2	19.6

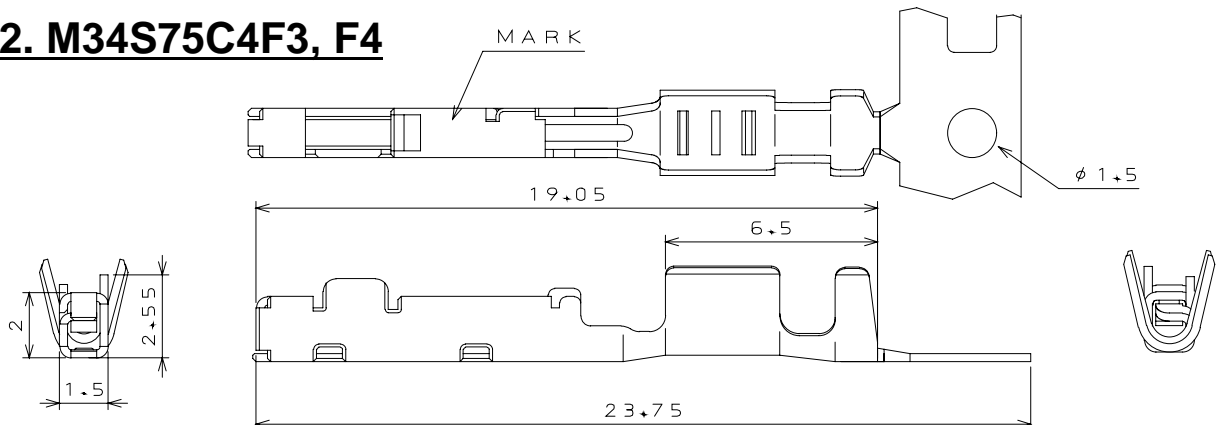


•Socket contact

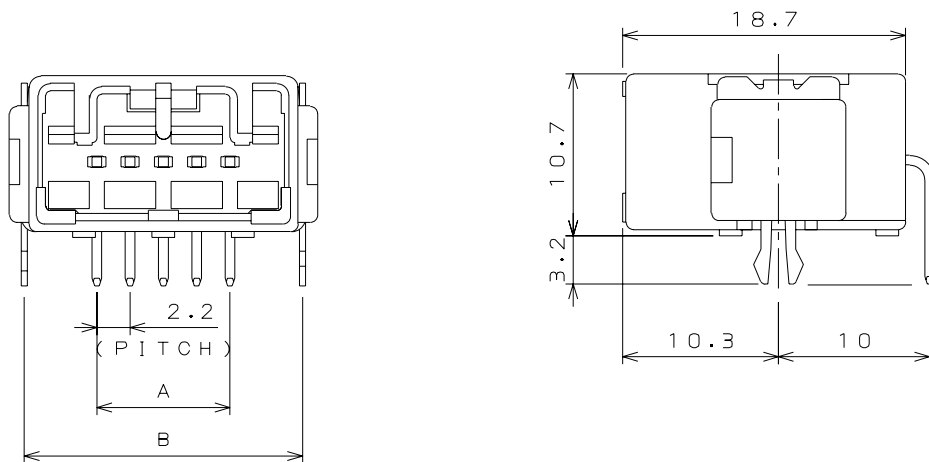
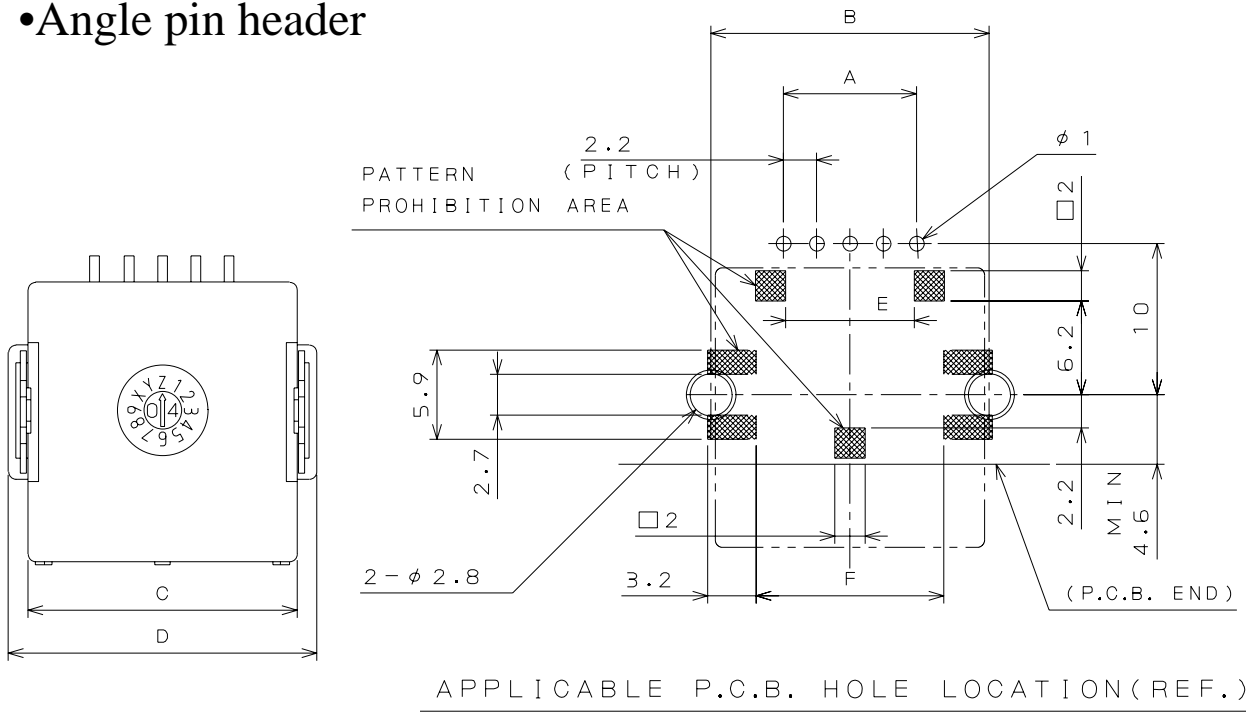
**1. M34S75C4F1, F2**



**2. M34S75C4F3, F4**

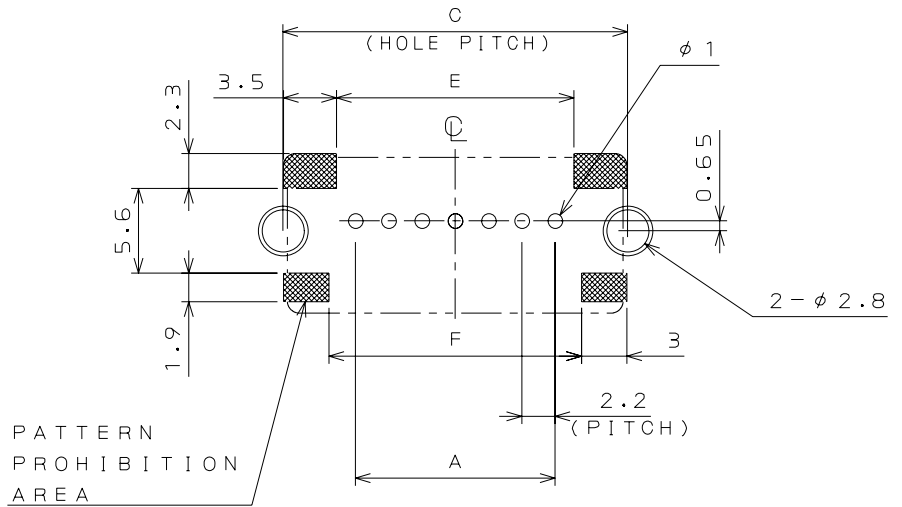
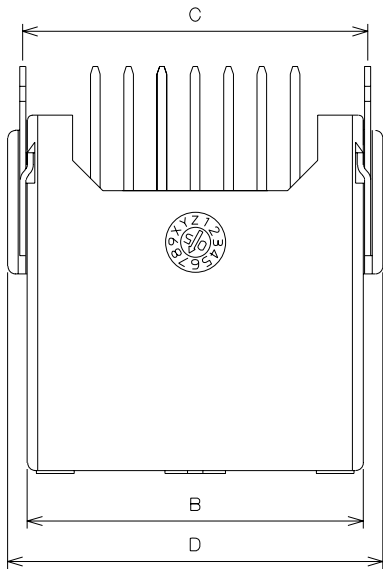


•Angle pin header

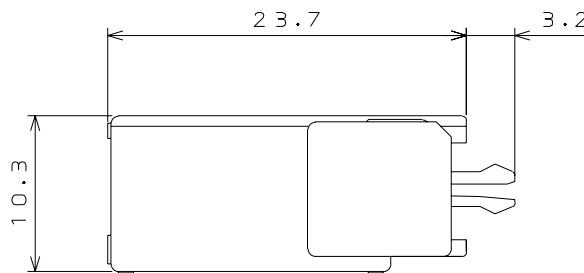
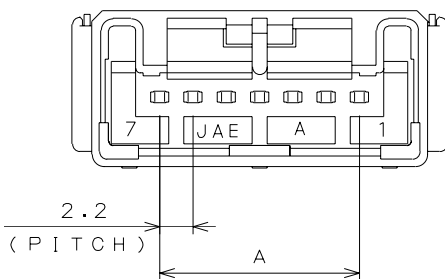


No. of pos.	Part Number	SJ Drawing	Diameter of each area					
			A	B	C	D	E	F
3	MX34003NF1	SJ100824	4.4	13.8	13.2	15.8	3.9	7.8
5	MX34005NF1	SJ100826	8.8	18.4	17.8	20.4	8.5	12.4
7	MX34007NF1	SJ104514	13.2	22.8	22.2	24.8	12.9	16.8

•Straight pin header



APPLICABLE P.C.B. HOLE LOCATION(REF.)

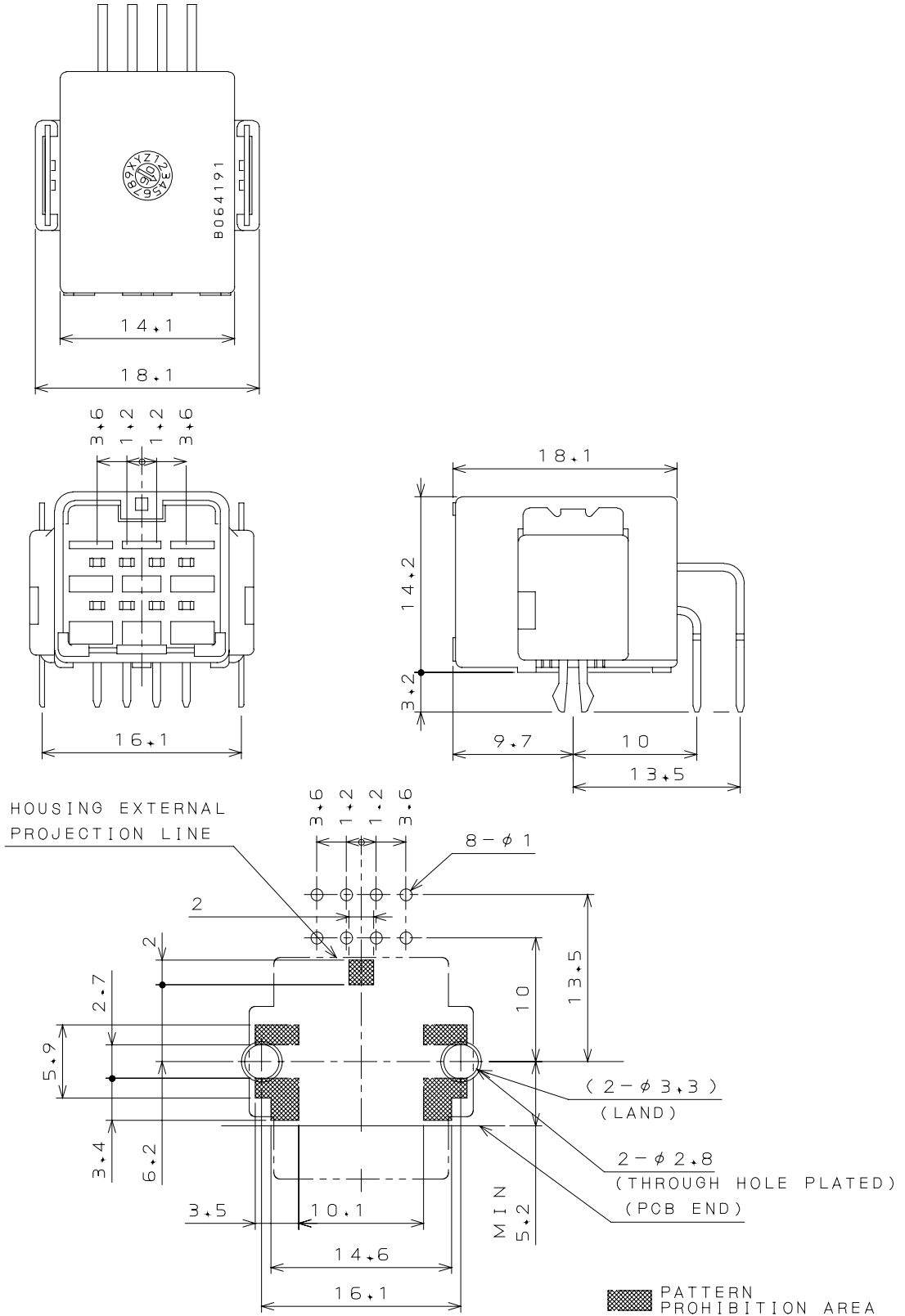


No. of pos.	Part Number	SJ Drawing	Diameter of each area					
			A	B	C	D	E	F
5	MX34005UF1	SJ104369	8.8	17.8	18.4	20.4	11.3	12.3
7	MX34007UF1	SJ104370	13.2	22.2	22.8	24.8	15.7	16.7

Note 1: 3 position not available for straight pin header

# Shape of double row 8 position type

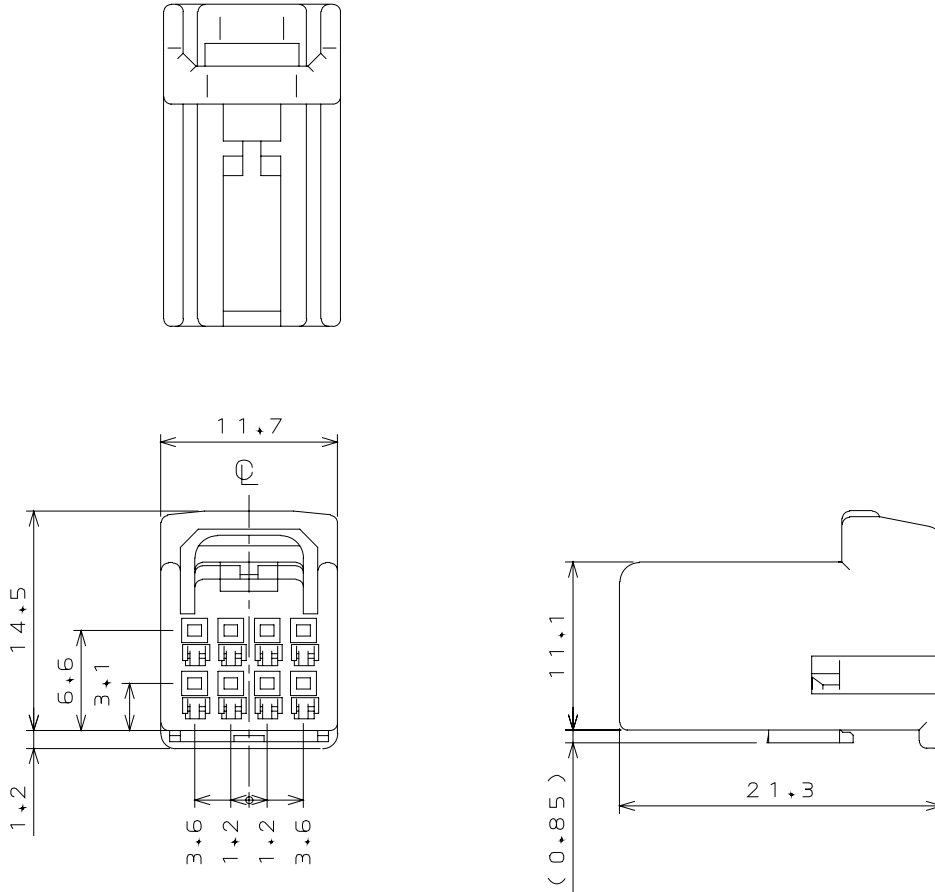
•Angle pin header (MX34E08NF1) SJ Drawing: SJ106197



APPLICABLE P.C.B. HOLE LOCATION (REF.)

# Shape of double row 8 position type

•Socket housing (MX34E08SF1) SJ Drawing: SJ106203



## Others

Specification

JACS-1754

Handling Instructions

JACS-1754

## Japan Aviation Electronics Industry, Limited

Product Marketing Division  
 Aobadai Building, 3-1-19, Aobadai, Meguro-ku, Tokyo 153-8539  
 Phone: +81-3-3780-2787 FAX: +81-3-3780-2946

**Notice:** Products shown in this leaflet are made for the applications listed below. However, if the above-mentioned products are to be used in aerospace devices, marine cable-connection devices, atomic power control systems, medical equipment for life-support systems, or any other specific application requiring extremely high reliability, please contact JAE for further information.  
 Recommended applications: Computers, Office machines, Measuring devices, Telecommunication devices (Terminals, Mobile devices), AV devices, Household applications, FA devices, etc.