



P/N: PU1S041A-34 LF

Feature



- Complies with requirement of IEEE802.3u standards.
- RJ 45 connector with 10/100 BASE-TX magnetic.
- Meet UL safety standard.
- Includes integrated 2 LEDS(option).
- LEDS are isolated to reduce cross talk and electro-magnetics interference.
- Lead free for external pins.
- Operating temperature range: 0 to +70 .
- Storage temperature range: -25 to +85 .
- Recommended panel

Part Number	Standard LED	Forward*V(Max)	(TYP)
3	YELLOW	2.6V	2.1V
4	GREEN	2.6V	2.2V

*With a forward current 20mA

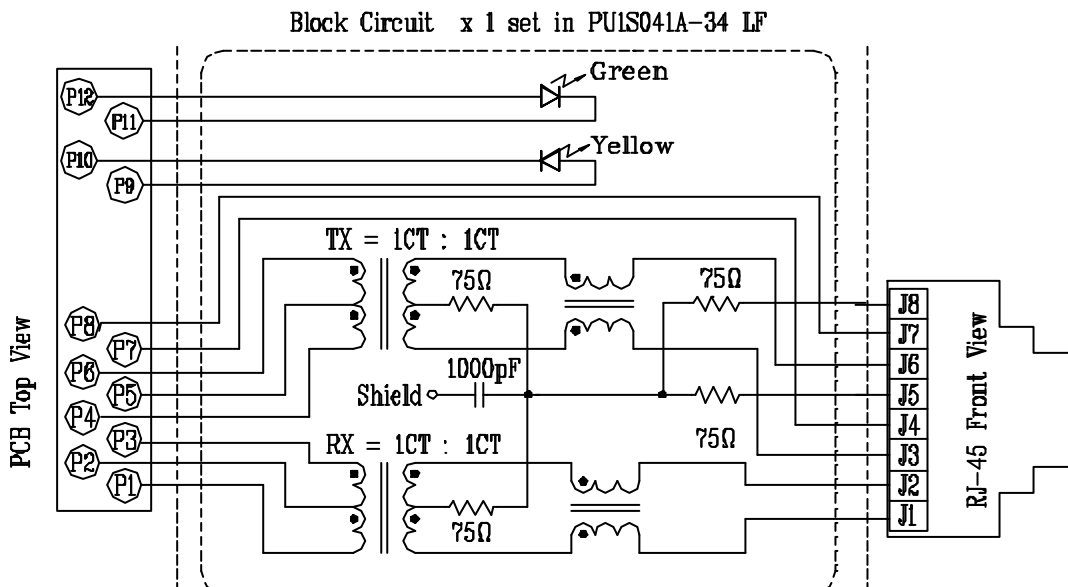
Electrical Specifications @ 25° C

Part Number	Turns Ratio (±5%) TX/RX	OCL(uH Min) @100KHz/0.1V with 8mA DC Bias	C _{ww} (pF Max)	L.L (uH Max)	Cross talk (dB Min)			HI-POT (Vrms)
					0.3-30MHz	30-60MHz	60-100MHz	
PU1S041A-34 LF	1CT:1CT	350	28	0.5	-40	-35	-30	1500

Continue

Part Number	Insertion Loss (dB Max)	Return Loss (dB Min)					CMR (dB Min)		
		30MHz	40MHz	50MHz	60MHz	80MHz	1-30MHz	30-60MHz	60-125MHz
PU1S041A-34 LF	-1.15	-16	-14	-13.5	-13	-10	-30	-25	-20

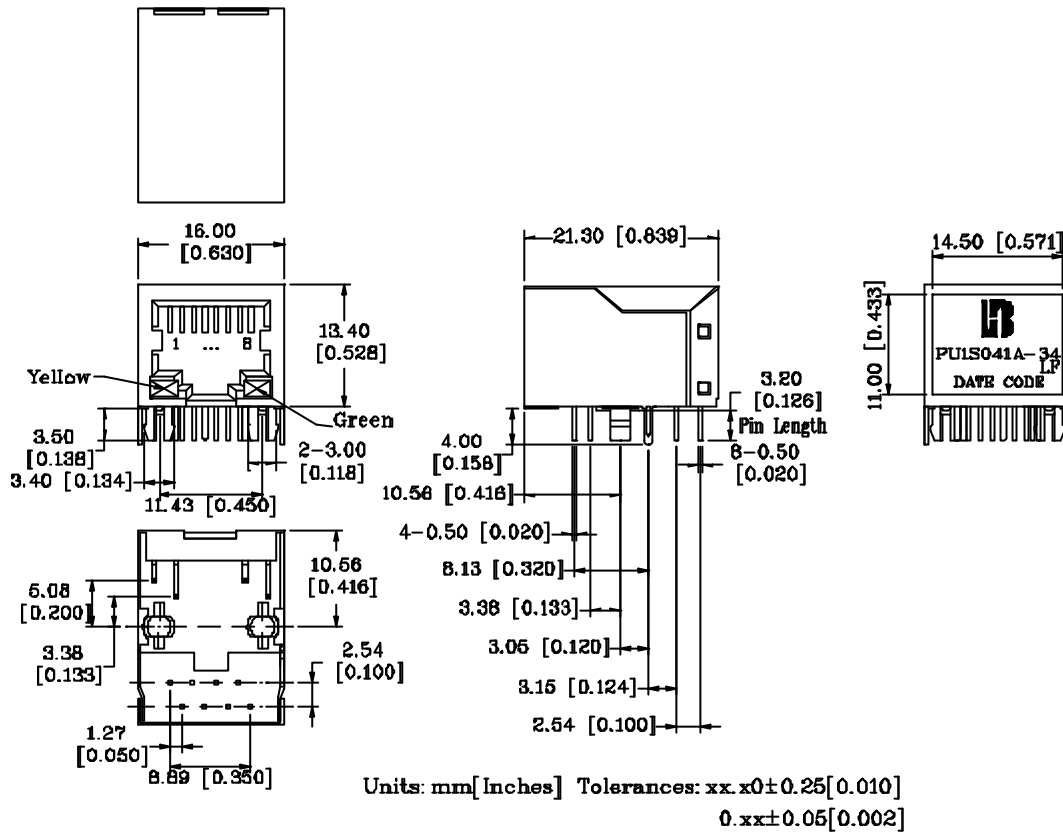
Schematic





P/N: PUIS041A-34 LF

Mechanical



- 1. Plastic Material : Thermoplastic (UL 94V-0), Black Housing.
- 2. Metal Shield : Brass, 20u inches thick Nickel
- 3. Spring Wire : Phosphor bronze with selective gold plating
- 4. Solder Pin : 0.4x0.4mm, Phosphor bronze with solder Plated
- 5. Durability : 750 Mating cycles Min.

PCB Layout Mounting Hole(Top View)

