

**PLEASE CHECK WWW.MOLEX.COM FOR LATEST PART INFORMATION**

**Part Number:** [0039036014](#)  
**Status:** **Active**  
**Overview:** [standard\\_093](#)  
**Description:** 2.36mm (.093") Diameter Standard .093" Pin and Socket Receptacle Housing With Positive Latch, UL 94V-2, 1 Circuit

**Documents:**

|   |   |
|---|---|
| <a href="#">3D Model</a>                                | <a href="#">Product Specification PS-3191-003 (PDF)</a> |
| <a href="#">Drawing (PDF)</a>                           | <a href="#">Product Specification PS-3191-005 (PDF)</a> |
| <a href="#">Product Specification PS-3191-001 (PDF)</a> | <a href="#">RoHS Certificate of Compliance (PDF)</a>    |

**Agency Certification**

|     |           |
|-----|-----------|
| CSA | LR19980   |
| TUV | R72081037 |
| UL  | E29179    |

**General**

|                |                              |
|----------------|------------------------------|
| Product Family | Crimp Housings               |
| Series         | <a href="#">3191</a>         |
| Comments       | Polarized to Mating Part     |
| Overview       | <a href="#">standard_093</a> |
| Product Name   | Standard .093"               |

**Physical**

|                               |                 |
|-------------------------------|-----------------|
| Breakaway                     | No              |
| Circuits (maximum)            | 1               |
| Color - Resin                 | Natural         |
| Flammability                  | 94V-2           |
| Gender                        | Dual            |
| Glow-Wire Compliant           | No              |
| Keying to Mating Part         | None            |
| Lock to Mating Part           | Yes             |
| Material - Resin              | Nylon           |
| Number of Rows                | 1               |
| Packaging Type                | Bag             |
| Panel Mount                   | No              |
| Pitch - Mating Interface (in) | 0.264 In        |
| Pitch - Mating Interface (mm) | 6.71 mm         |
| Polarized to Mating Part      | Yes             |
| Stackable                     | No              |
| Temperature Range - Operating | -40°C to +105°C |

**Electrical**

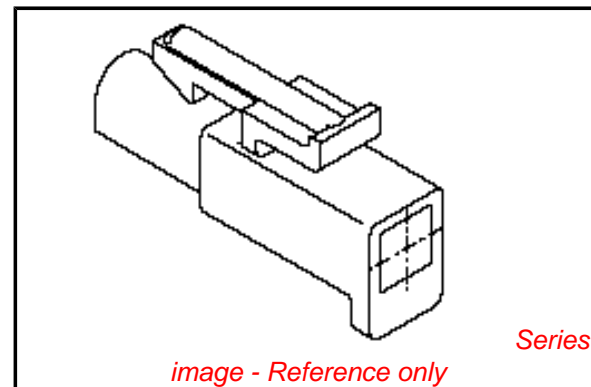
|                               |     |
|-------------------------------|-----|
| Current - Maximum per Contact | 12A |
|-------------------------------|-----|

**Material Info**

|                 |           |
|-----------------|-----------|
| Old Part Number | 3191-01R1 |
|-----------------|-----------|

**Reference - Drawing Numbers**

|                         |   |
|-------------------------|---|
| Packaging Specification | SPK-3191-001  |
| Product Specification   | PS-3191-001, PS-3191-003, PS-3191-005, RPS-3191-001, RPS-3191-002 |
| Sales Drawing           | SD-3191-003, SD-3191-01R1-*                                       |



**EU RoHS**

**ELV and RoHS Compliant**  
**REACH SVHC Contains SVHC: No**  
**Halogen-Free**  
**Status Not Reviewed**

**China RoHS**



**Need more information on product environmental compliance?**

Email [productcompliance@molex.com](mailto:productcompliance@molex.com)  
 For a multiple part number RoHS Certificate of Compliance, [click here](#)

Please visit the [Contact Us](#) section for any non-product compliance questions.

**Search Parts in this Series**

[3191Series](#)

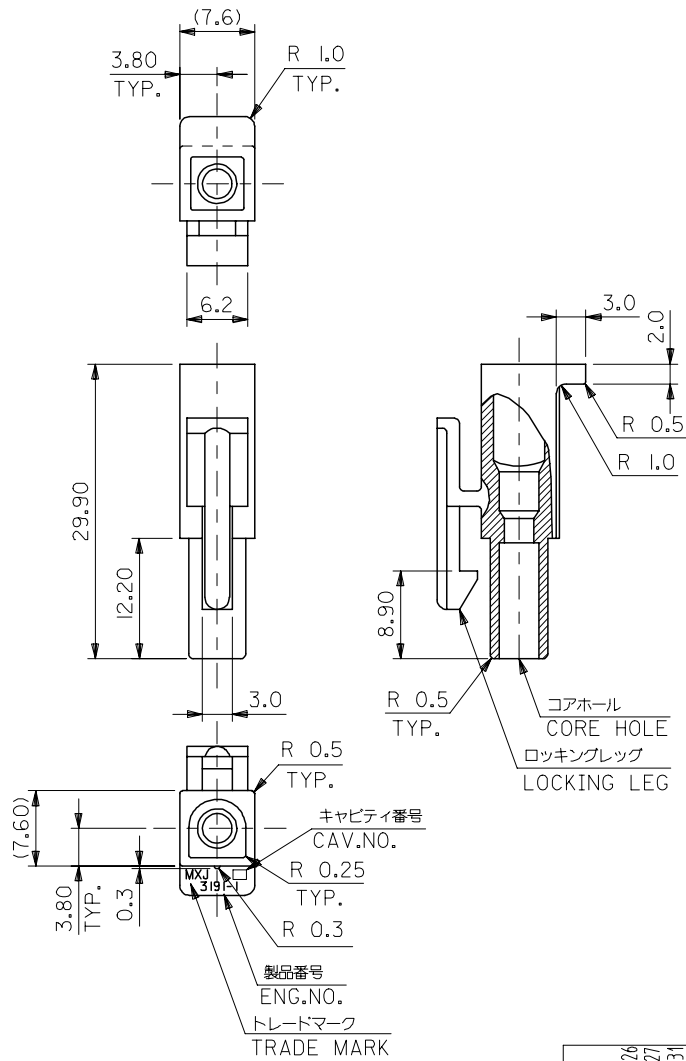
**Mates With**

[3191](#) Pin and Socket Plug, [5219](#) Vertical PCB Header

**Use With**

[1189](#) Crimp Terminals, [1190](#) Crimp Terminals, [1380](#) Male Crimp Terminals, [1381](#) Female Crimp Terminals, [1433](#) Crimp Terminals, [1434](#) Male Crimp Terminals, [2605](#) , [2606](#) , [1973](#) , [2151](#) , [2273](#) , [2870](#) , [2871](#) , [4272](#) , Lin

**PLEASE CHECK [WWW.MOLEX.COM](http://WWW.MOLEX.COM) FOR LATEST PART INFORMATION**



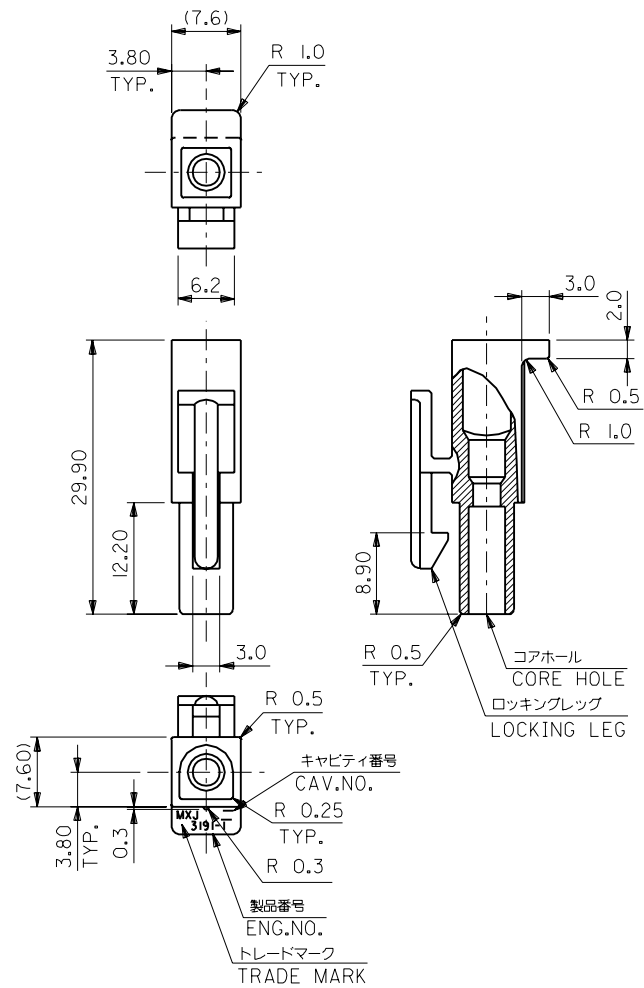
注)  
NOTE.

- ( ) 内寸法は参考  
(DIMENSIONS IN ( ) ARE REFERENCE)
- 材料 : ナイロン66  
MATERIAL : NYLON66

|         |               |            |       |
|---------|---------------|------------|-------|
| YELLOW  | 3191-01R1-YE  | 39-01-9019 | 94V-2 |
| RED     | 3191-01R1-RE  | 39-01-9018 | 94V-2 |
| BLUE    | 3191-01R1-BU  | 39-01-9017 | 94V-2 |
| NATURAL | 3191-01R1-201 | 39-03-6015 | 94V-0 |
| NATURAL | 3191-01R1     | 39-03-6014 | 94V-2 |
| COLOR   | ENG.NO.       | EDP.NO.    |       |

|   |  |  |  |                           |   |                        |                           |  |
|---|--|--|--|---------------------------|---|------------------------|---------------------------|--|
| REVISED<br>EC NO: J2005-3506<br>DRAWN: NABEI 2005/05/26<br>CHKD: KTOYODA 2005/05/27<br>APPR: NUKITA 2005/05/31                        | GENERAL TOLERANCES<br>(UNLESS SPECIFIED) |  | DIMENSION STYLE<br>MM ONLY                 |                           | SCALE<br>2:1                                  | DESIGN UNITS<br>METRIC | THIRD ANGLE<br>PROJECTION |  |
|   | 10 UNDER                                 | ±0.25  | DRAWN BY DATE<br>K. KOHAMA '00/03/28       |                           | TITLE<br>1 CKT REC HSG<br>(.093 DIA TERMINAL) |                        |                           |  |
|   | 10 OVER 30 UNDER                         | ±0.3   | CHECKED BY DATE<br>T. YAMAGUCHI '00/03/31  |                           | MOLEX INCORPORATED                            |                        |                           |  |
|   | 30 OVER                                  | ±0.35  | APPROVED BY DATE<br>M. FUKUSHIMA '00/03/31 |                           | DOCUMENT NO.<br>SD-3191-003                   | SHEET NO.<br>1 OF 1    |                           |  |
| ANGULAR ±3 °  |  | DRAFT WHERE APPLICABLE<br>MUST REMAIN<br>WITHIN DIMENSIONS |  | MATERIAL NO.<br>SEE CHART |   |                        |                           |  |
| SIZE A3 THIS DRAWING CONTAINS INFORMATION THAT IS PROPRIETARY TO MOLEX INCORPORATED AND SHOULD NOT BE USED WITHOUT WRITTEN PERMISSION |  |  |  |                           |   |                        |                           |  |

DWG. NO. SD-3191-0IR1-\*



注) NOTE.  
1. ( ) 内寸法は参考  
(DIMENSIONS IN ( ) ARE REFERENCE)

|               |            |                |       |
|---------------|------------|----------------|-------|
| 3191-0IR1-201 | 39-03-6015 | ナイロン66 NYLON66 | 94V-0 |
| 3191-0IR1     | 39-03-6014 | ナイロン66 NYLON66 | 94V-2 |
| ENG.NO.       | EDP.NO.    | 材料 MATERIAL    | NO.   |

DO NOT SCALE DRAWING

|                                  |                                  |                                  |                                  |  |                                    |
|----------------------------------|----------------------------------|----------------------------------|----------------------------------|--|------------------------------------|
| EG4NO.<br>DRWN:<br>CHK:<br>APPR: | EG3NO.<br>DRWN:<br>CHK:<br>APPR: | EG2NO.<br>DRWN:<br>CHK:<br>APPR: | EG1NO.<br>DRWN:<br>CHK:<br>APPR: | REDRAWN<br>EGONO. JC2000-0626<br>DRWN: K.KOHAMA<br>CHK: T.YAMAGUCHI<br>APPR: M.FUKUSHIMA | MATERIAL<br>材料<br>表参照<br>SEE TABLE |
| FINISH<br>仕上り                    | WIRE RANGE<br>適用線径範囲             | INS. RANGE<br>被覆外径               | REV                              | DESCRIPTION  |                                    |

|  |               |   |  |  |                   |  |
|--|---------------|---|--|--|-------------------|--|
| GENERAL TOLERANCES:<br>(UNLESS SPECIFIED)<br>一般公差  |               | SCALE<br>2:1                                | DESIGN UNITS<br>mm INCH  | DIMENSIONS:<br>mm INCH mm ONLY               |                   | SHT<br>REV                               |
| 10 UNDER<br>未満   | +0.25<br>±0.2 | DRAWN BY & DATE<br>K.KOHAMA '00/ 3/28       | <input checked="" type="checkbox"/> mm <input type="checkbox"/> INCH | TITLE:<br>1 CKT. REC. HS'G (.093 DIA. TERM.) |                   | MATERIAL NO.<br>DRAWING NO.<br>SHEET NO. |
| 10 OVER<br>以上  | +0.3<br>±0.25 | CHECKED BY & DATE<br>T.YAMAGUCHI '00/ 3/31  | <input type="checkbox"/> mm <input checked="" type="checkbox"/> INCH | MATERIAL NO.<br>DRAWING NO.                  |                   |  |
| 30 OVER<br>以上  | +0.35<br>±0.3 | APPROVED BY & DATE<br>M.FUKUSHIMA '00/ 3/31 | <input type="checkbox"/> mm ONLY                                     | MATERIAL NO.<br>DRAWING NO.                  |                   |  |
| ANGLE<br>角度  | +3°           | CAD FILENAME<br>S319101.S10                 | MATERIAL NO.<br>DRAWING NO.  |  | SHEET NO.<br>SIZE |  |
| THIS DRAWING CONTAINS INFORMATION THAT IS PROPRIETARY TO MOLEX INCORPORATED AND SHOULD NOT BE USED WITHOUT WRITTEN PERMISSION. |               |   |  |  |                   |  |