

PLEASE CHECK WWW.MOLEX.COM FOR LATEST PART INFORMATION

Part Number: **0197054003**
Status: **Active**
Description: PCB Tab Quick Disconnect, Male, for Wire, Metal Strip, Tab 6.35mm (.250") x 0.81mm (.032")

Documents:

[Drawing \(PDF\)](#) [RoHS Certificate of Compliance \(PDF\)](#)
[Product Specification PS-19902-010 \(PDF\)](#)

Agency Certification

UL E79133

General

Product Family Quick Disconnects
 Series 19705
 Comments Tab Support
 Crimp Quality Equipment Yes
 Product Name PCB Tab
 Type Quick Disconnect

Physical

Barrel Type Closed
 Gender Male
 Glow-Wire Compliant No
 Insulation None
 Lock to Mating Part None
 Material - Metal Brass
 Material - Plating Mating Tin
 Material - Plating Termination Tin
 Orientation PCB Straight Tab
 Packaging Type Reel
 Plating min: Mating (µin) 150
 Plating min: Mating (µm) 3.81
 Plating min: Termination (µin) 150
 Plating min: Termination (µm) 3.81
 Polarized to Mating Part No
 Tab Thickness 0.81mm (.032")
 Tab Width 6.35mm (.250")
 Termination Interface: Style Through Hole
 Wire Insulation Diameter N/A
 Wire Size AWG N/A

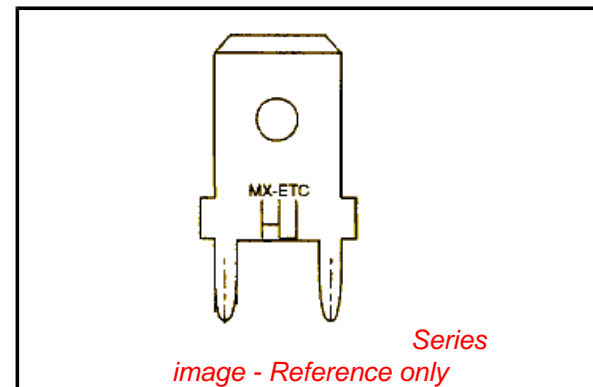
Electrical

Voltage - Maximum N/A

Material Info

Reference - Drawing Numbers

Product Specification PS-19902-010
 Sales Drawing SD-19705-400



EU RoHS

ELV and RoHS Compliant
REACH SVHC Contains SVHC: No
Halogen-Free Status

China RoHS



Need more information on product environmental compliance?

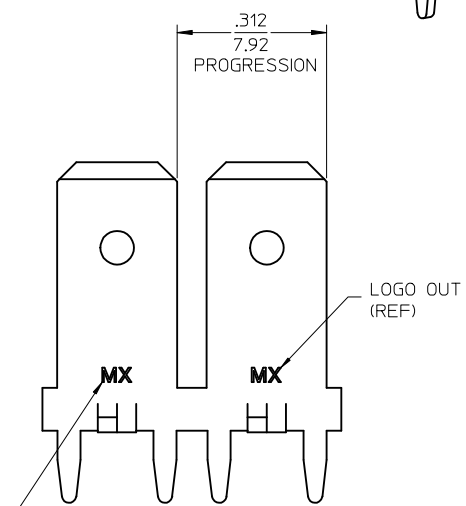
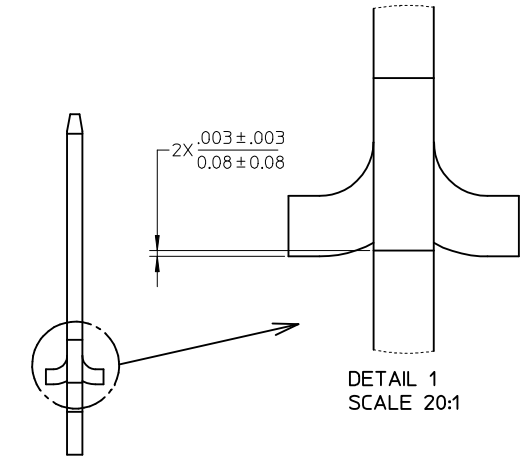
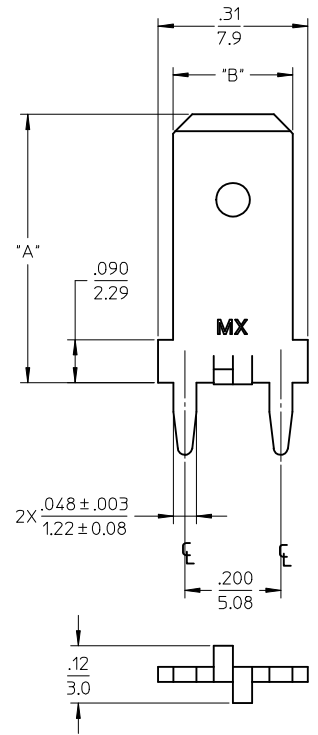
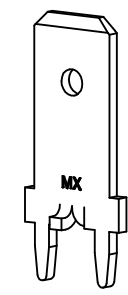
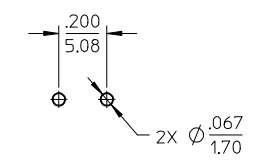
Email productcompliance@molex.com
 For a multiple part number RoHS Certificate of Compliance, [click here](#)

Please visit the [Contact Us](#) section for any non-product compliance questions.

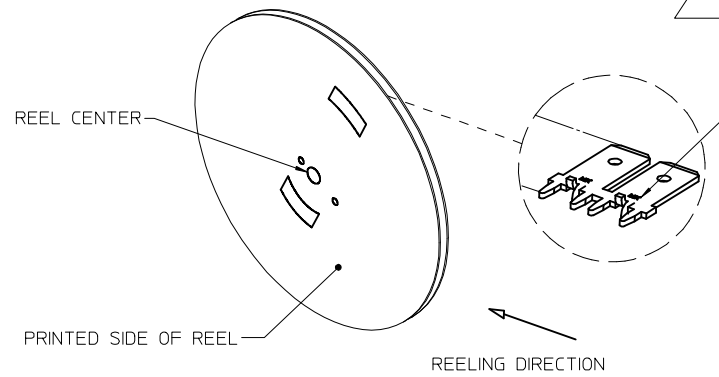
Search Parts in this Series
 19705Series

MATERIAL NUMBER	ENGINEERING NUMBER	CARRIER	LOGO ORIENTATION	DIMENSION "A"	DIMENSION "B"	MIN. PARTS PER REEL
197054003	19705-4003	STRIP	IN	.560/14.22	.250/6.35	5,000
197054103	19705-4103	STRIP	IN	.560/14.22	.187/4.75	
197054105	19705-4105	STRIP	OUT	.560/14.22		
197054203	19705-4203	STRIP	IN	.405/10.29	.250/6.35	10,000
197054204	19705-4204	STRIP	OUT	.405/10.29		
197054001	19705-4001	LOOSE	-	.560/14.22	.250/6.35	-
197054101	19705-4101	LOOSE	-	.560/14.22	.187/4.75	-
197054201	19705-4201	LOOSE	-	.405/10.29	.250/6.35	-

RECOMMENDED PCB HOLE LAYOUT



LOGO OPTIONS: MX, ETC, MX-ETC, OR MXN
MAY ALSO BE UPSIDE-DOWN FOR DIE IDENTIFICATION PURPOSES



- NOTES:
1. BARE EDGES PERMISSIBLE AT CARRIER CUT OFF.
 2. MATERIAL: BRASS C26000 (.032/0.81) THICK.
 3. TAB CONFORMS TO NEMA SPECIFICATIONS.
 4. ALL DIMENSIONS AND NOTES REFERENCE UNLESS OTHERWISE NOTED.
 5. PLATING: MATTE TIN OVER NICKEL 150μ IN/3.81 μ mm MINIMUM THICKNESS OVER NICKEL 50μ IN/1.25μ mm MINIMUM THICKNESS.
 6. 24" DIAMETER REEL WITH A 1.25" DIAMETER CENTER HOLE.
 7. PART IS RoHS COMPLIANT

LOGO CLARIFIED IEC NO: WNA2009-0488 DRW: WTHRODAHL 2009/02/10 CHKD: JMACNEIL 2009/02/12 APPR: JMACNEIL 2009/02/12	QUALITY SYMBOLS	GENERAL TOLERANCES (UNLESS SPECIFIED)	DIMENSION STYLE	SCALE	DESIGN UNITS	THIRD ANGLE PROJECTION																		
	$\nabla=0$ $\nabla=0$	<table border="1"> <tr><th>mm</th><th>INCH</th></tr> <tr><td>4 PLACES ± ---</td><td>± ---</td></tr> <tr><td>3 PLACES ± ---</td><td>± .005</td></tr> <tr><td>2 PLACES ± 0.13</td><td>± .01</td></tr> <tr><td>1 PLACE ± 0.25</td><td>± ---</td></tr> </table>	mm	INCH	4 PLACES ± ---	± ---	3 PLACES ± ---	± .005	2 PLACES ± 0.13	± .01	1 PLACE ± 0.25	± ---	<table border="1"> <tr><th>IN/MM</th><th>DATE</th></tr> <tr><td>DRAWN BY EDB</td><td>11/08/96</td></tr> <tr><td>CHECKED BY JH</td><td>11/08/96</td></tr> <tr><td>APPROVED BY RWD</td><td>11/08/96</td></tr> </table>	IN/MM	DATE	DRAWN BY EDB	11/08/96	CHECKED BY JH	11/08/96	APPROVED BY RWD	11/08/96	5:1	INCH	
	mm	INCH																						
	4 PLACES ± ---	± ---																						
3 PLACES ± ---	± .005																							
2 PLACES ± 0.13	± .01																							
1 PLACE ± 0.25	± ---																							
IN/MM	DATE																							
DRAWN BY EDB	11/08/96																							
CHECKED BY JH	11/08/96																							
APPROVED BY RWD	11/08/96																							
DRAFT WHERE APPLICABLE MUST REMAIN WITHIN DIMENSIONS	MATERIAL NO. SEE CHART	TITLE QUICK DISCONNECT PCB MOUNTABLE .250 & .187 X .032 TAB	MOLEX INCORPORATED	DOCUMENT NO. SD-19705-400	SHEET NO. 1 OF 1																			
REV L1	SIZE C	THIS DRAWING CONTAINS INFORMATION THAT IS PROPRIETARY TO MOLEX INCORPORATED AND SHOULD NOT BE USED WITHOUT WRITTEN PERMISSION																						