

**PLEASE CHECK WWW.MOLEX.COM FOR LATEST PART INFORMATION**

**Part Number:** [0526101072](#)  
**Status:** **Active**  
**Overview:**  
**Description:** 1.00mm (.039") Pitch FFC/FPC Connector, SMT, Vertical, ZIF, Gold (Au) Contact Plating, 10 Circuits, Lead-free, High Barrier Packaging

**Agency Certification**

CSA	LR19980
UL	E29179

**General**

Product Family	FFC/FPC Connectors
Series	52610
Overview	ffc_fpc_smt
Product Name	N/A

**Physical**

Circuits (Loaded)	10
Contact Position	N/A
Durability (mating cycles max)	30
Entry Angle	Vertical
Flammability	94V-0
Mated Height (in)	0.226 In
Mated Height (mm)	5.75 mm
Material - Metal	Phosphor Bronze
Material - Plating Mating	Gold
Material - Plating Termination	Tin
Material - Resin	Nylon
Number of Rows	1
Orientation	Vertical
PCB Locator	No
PCB Retention	None
Packaging Type	Embossed Tape on Reel
Pitch - Mating Interface (in)	0.039 In
Pitch - Mating Interface (mm)	1.00 mm
Polarized to PCB	No
Stackable	No
Temperature Range - Operating	-40°C to +85°C
Termination Interface: Style	Surface Mount
Wire/Cable Type	FFC/FPC

**Electrical**

Current - Maximum per Contact	1A
Voltage - Maximum	125V AC (RMS)/DC

**Material Info**

**Reference - Drawing Numbers**

Packaging Specification	SPK-52610-001, SPK-52610-003
Product Specification	PS-52610-007, RPS-52610-048, RPS-52610-052, RPS-52610-053, RPS-52610-058, RPS-52610-061
Sales Drawing	SD-52610-036, SD-52610-037

**EU RoHS**  
**ELV and RoHS**  
**Compliant**  
**REACH SVHC**  
**Contains SVHC: No**  
**Halogen-Free**  
**Status**  
**Not Reviewed**

**China RoHS**

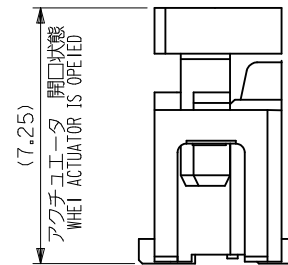
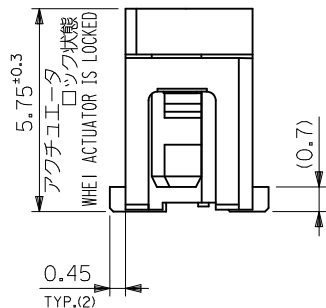
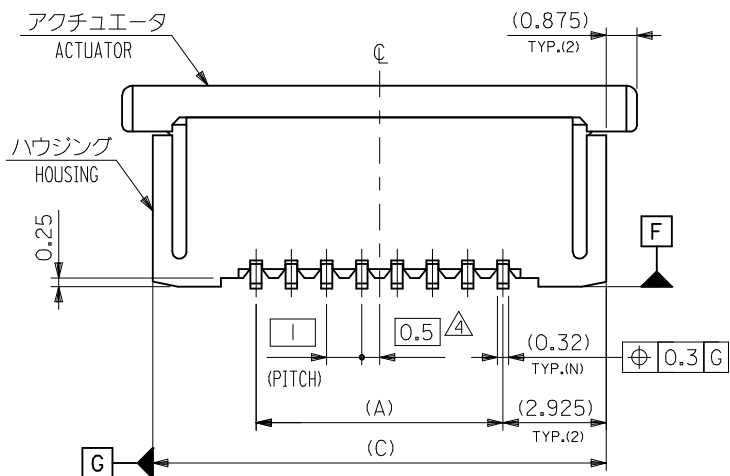
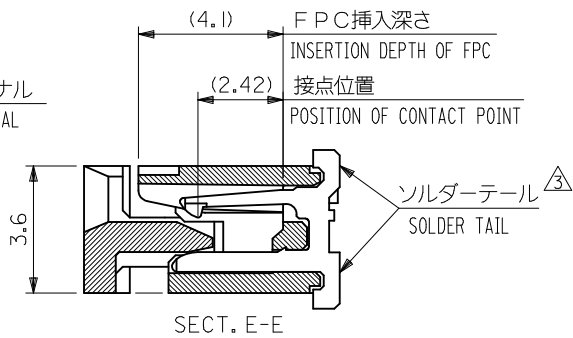
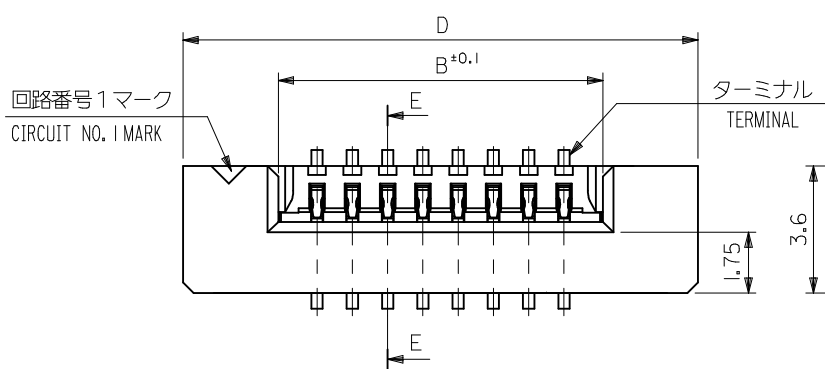


**Need more information on product environmental compliance?**

Email [productcompliance@molex.com](mailto:productcompliance@molex.com)  
 For a multiple part number RoHS Certificate of Compliance, [click here](#)

Please visit the [Contact Us](#) section for any non-product compliance questions.

**Search Parts in this Series**  
[52610Series](#)



REVISED EC NO: J2009-2316 DRWN: CARIZONO 2009/04/20 CHKD: T. HARUYAMA 2009/04/20 APPR: NUKITA 2009/04/21	GENERAL TOLERANCES (UNLESS SPECIFIED)		DIMENSION STYLE MM ONLY		SCALE ---	52610-**-15	MODEL NO.
	10 UNDER	±0.2	DRAWN BY M. NABEI	DATE '05/07/21	TITLE	1.0 FPC CONN ZIF FOR SMT ST -LEAD FREE-	
	10 OVER 30 UNDER	±0.25	CHECKED BY K. TOYODA	DATE '05/07/21		MOLEX INCORPORATED	
	30 OVER	±0.3	APPROVED BY N. UKITA	DATE '05/07/21		DOCUMENT NO. SD-52610-036	SHEET NO. 1 OF 2
	ANGULAR ±3 °	DRAFT WHERE APPLICABLE MUST REMAIN WITHIN DIMENSIONS		MATERIAL NO. SEE TABLE		THIS DRAWING CONTAINS INFORMATION THAT IS PROPRIETARY TO MOLEX INCORPORATED AND SHOULD NOT BE USED WITHOUT WRITTEN PERMISSION	

注記(NOTES) :

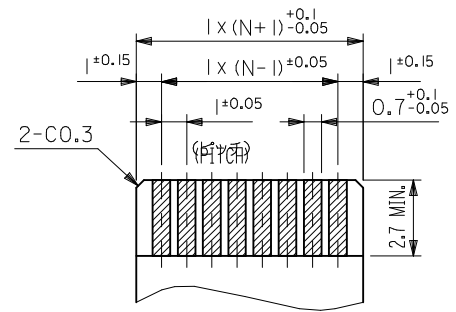
1. 材料(MATERIAL)  
 ハウジング (HOUSING) : 46NYLON , UL94V-0  
 アクチュエータ(ACTUATOR) : PPS , UL94V-0  
 ターミナル(TERMINAL) : リン青銅 (tO. 32)

△ 偶数極に適用。  
 APPLY FOR EVEN CIRCUIT.

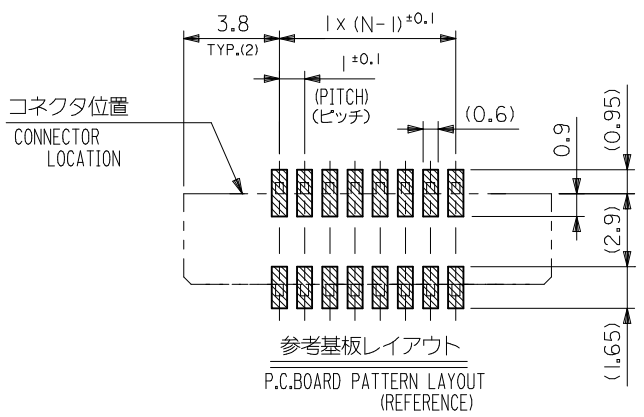
5. 本製品は 52610 シリーズの接点金メッキ品である。  
 THIS PRODUCT IS Au-CONTACT OF 52610 SERIES.

PHOS-BRO  
 接点部 : 金メッキ 0.1μm 以上  
 テール部 : 錫メッキ 1μm 以上  
 下地 : ニッケルメッキ 1μm 以上  
 CONTACT : GOLD 0.1 MICROMETER MINIMUM  
 TAIL : MATTE TIN 1 MICROMETER MINIMUM  
 NICKEL : UNDER 1 MICROMETER MINIMUM

2. エンボステープ梱包時は、アクチュエータがロックした状態とする。  
 IN THE PACKAGE, ACTUATOR OF PART NO. 52610-\*\*59 SHOULD BE LOCKED.
- △ ソルダータール半田付け面のズレ量は、基準面 [F] に対し上方向 0.05 MAX. ,  
 下方向 0.15 MAX. とする。  
 MISALIGNMENT OF SOLDER TAILS FROM [F] UPPER DIRECTION : 0.05 MAX. ,  
 LOWER DIRECTION : 0.15 MAX.



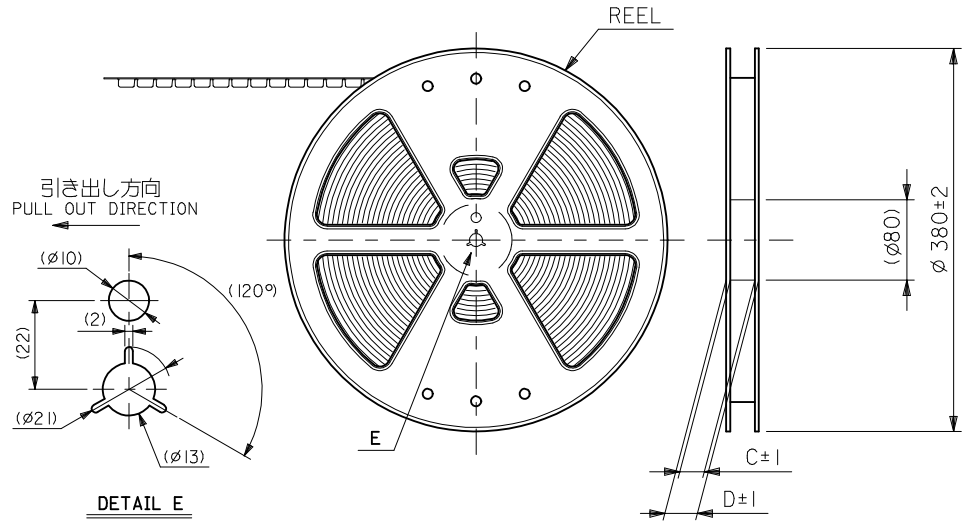
適合FPC推奨寸法  
 APPLICABLE FPC RECOMMENDED DIM.  
 仕上がり厚さ(THICKNESS) : 0.3 ±0.05



36.6	34.85	31.2	29	52610-3077	52610-3072	52610-3015	30
32.6	30.85	27.2	25	52610-2677	52610-2672	52610-2615	26
31.6	29.85	26.2	24	52610-2577	52610-2572	52610-2515	25
30.6	28.85	25.2	23	52610-2477	52610-2472	52610-2415	24
28.6	26.85	23.2	21	52610-2277	52610-2272	52610-2215	22
26.6	24.85	21.2	19	52610-2077	52610-2072	52610-2015	20
24.6	22.85	19.2	17	52610-1877	52610-1872	52610-1815	18
23.6	21.85	18.2	16	52610-1777	52610-1772	52610-1715	17
22.6	20.85	17.2	15	52610-1677	52610-1672	52610-1615	16
21.6	19.85	16.2	14	52610-1577	52610-1572	52610-1515	15
20.6	18.85	15.2	13	52610-1477	52610-1472	52610-1415	14
19.6	17.85	14.2	12	52610-1377	52610-1372	52610-1315	13
18.6	16.85	13.2	11	52610-1277	52610-1272	52610-1215	12
17.6	15.85	12.2	10	52610-1177	52610-1172	52610-1115	11
16.6	14.85	11.2	9	52610-1077	52610-1072	52610-1015	10
15.6	13.85	10.2	8	52610-0977	52610-0972	52610-0915	9
14.6	12.85	9.2	7	52610-0877	52610-0872	52610-0815	8
12.6	10.85	7.2	5	52610-0677	52610-0672	52610-0615	6
11.6	9.85	6.2	4	52610-0577	52610-0572	52610-0515	5

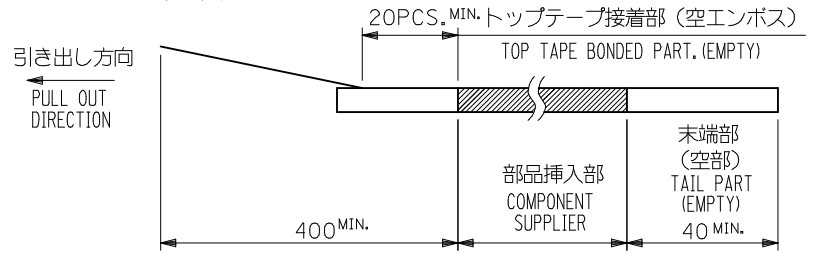
52610-**15	D	(C)	B	(A)	EMBOSSD TAPPE (HIGH BARRIER PKG)	EMBOSSD TAPPE	MATERIAL. NO.	極数 CKT.
MODEL NO.	ORDER No. オーダー番号							

REVISED EC NO: J2009-2316 DRWN: CARIZONO 2009/04/20 CHKD: T. HARUYAMA 2009/04/20 APPR: NUKITA 2009/04/21	GENERAL TOLERANCES (UNLESS SPECIFIED)		DIMENSION STYLE MM ONLY		SCALE ---	DESIGN UNITS METRIC	THIRD ANGLE PROJECTION	
	10 UNDER	±0.2	DRAWN BY M. NABEI	DATE '05/07/21	TITLE 1.0 FPC CONN ZIF FOR SMT ST -LEAD FREE-			
	10 OVER 30 UNDER	±0.25	CHECKED BY K. TOYODA	DATE '05/07/21	APPROVED BY N. UKITA			
	30 OVER	±0.3	DATE '05/07/21		MATERIAL NO. SEE TABLE			
ANGULAR ±3 °		DRAFT WHERE APPLICABLE MUST REMAIN WITHIN DIMENSIONS		MATERIAL NO. SEE TABLE		DOCUMENT NO. SD-52610-036		SHEET NO. 2 OF 2
THIS DRAWING CONTAINS INFORMATION THAT IS PROPRIETARY TO MOLEX INCORPORATED AND SHOULD NOT BE USED WITHOUT WRITTEN PERMISSION								

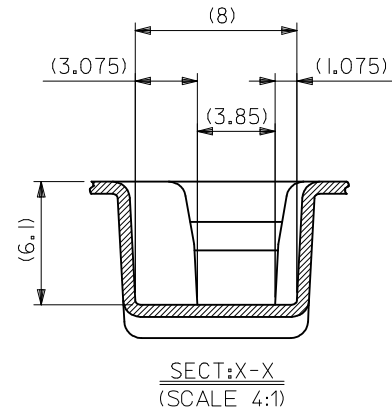
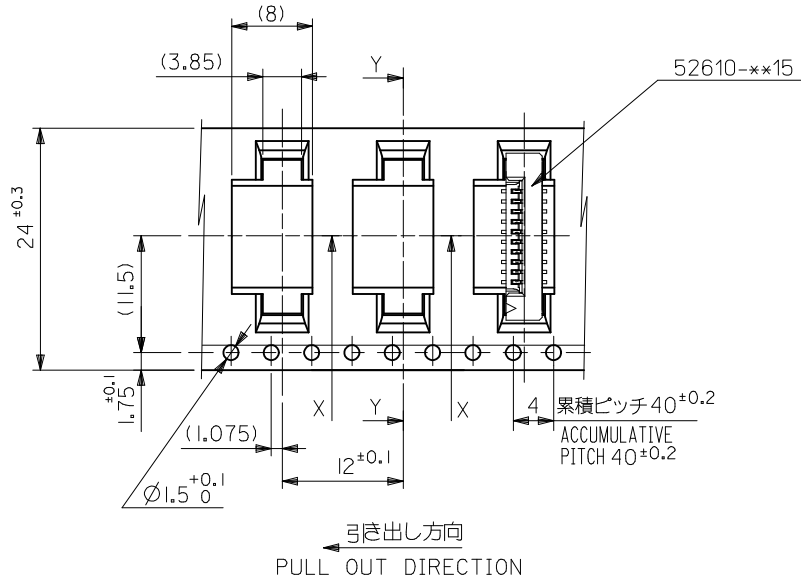
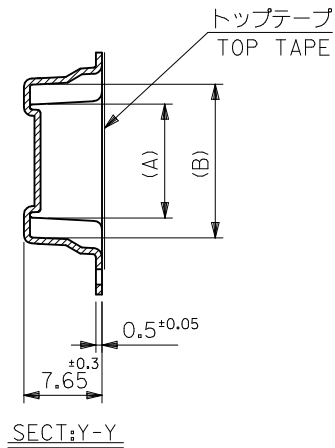


NOTES

- 梱包数量：1000個/リール  
NUMBER OF CONNECTORS : 1000PCS/REEL
- リードテープ長さ LEAD TAPE LENGTH  
20PCS. MIN. トップテープ接着部 (空エンボス)  
TOP TAPE BONDED PART. (EMPTY)  
部品挿入部 COMPONENT SUPPLIER  
末端部 (空部) TAIL PART (EMPTY)  
400 MIN. 40 MIN.
- 52610-\*\*\*15 のアクチュエータはハウジング内に押し下げた状態とする。  
詳細寸法については図面 SD-52610-036 を参照下さい。  
ACTUATOR OF PART NO. 52610-\*\*\*15 SHULD BE LOCKED.  
RE DETAILED DIMENSIONS , SEE SD-52610-036.
- 材料 (MATERIAL)  
キャリアテープ (CARRIER TAPE) : ポリプロピレン (POLYPROPYLENE)  
トップテープ (TOPTAPE) : PET , PE , PEF  
リール (REEL) : ポリスチレン (P S) <リサイクル材を含む>  
POLYSTYRENE (PS) <RECYCLE MATERIAL CONTAINED>
- 本製品は 52610 シリーズの接点金メッキ品である。  
THIS PRODUCT IS Au-CONTACT OF 52610 SERIES.
- 本製品は乾燥剤入り、ハイバリア梱包仕様である。  
THIS PRODUCT IS HIGH BARRIER PACKAGE WITH DESICCANT.



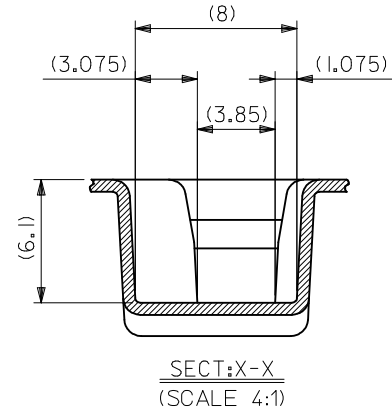
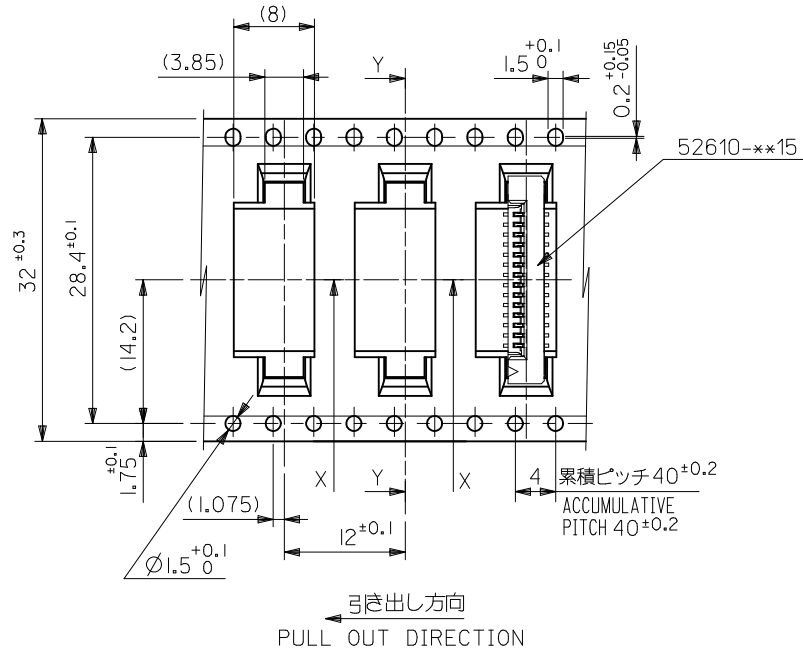
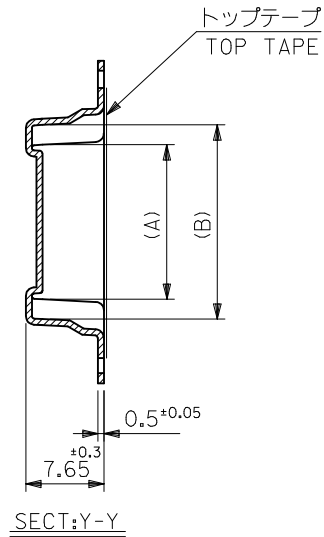
REVISED EC NO: J2009-2061 DRWN:TKGN 2009/05/20 CHKD:HATSUMOTO 2009/05/21 APPR:NUKITA 2009/05/21	DESCRIPTION	GENERAL TOLERANCES (UNLESS SPECIFIED)		DIMENSION STYLE MM ONLY		SCALE ---	52610-***72	MODEL NO.	
		10 UNDER	±0.2	DRAWN BY M. NABEI	DATE '05/07/21	TITLE 1.0 FPC CONN SMT ZIF EMBSTP PKG -LEAD FREE-	DESIGN UNITS METRIC	THIRD ANGLE PROJECTION	
		10 OVER 30 UNDER	±0.25	CHECKED BY K. TOYODA	DATE '05/07/21	APPROVED BY N. UKITA	DATE '05/07/21	MOLEX INCORPORATED	SHEET NO. 1 OF 5
		30 OVER	±0.3	MATERIAL NO. SEE TABLE		DOCUMENT NO. SD-52610-037			
ANGULAR	±3 °	DRAFT WHERE APPLICABLE MUST REMAIN WITHIN DIMENSIONS		THIS DRAWING CONTAINS INFORMATION THAT IS PROPRIETARY TO MOLEX INCORPORATED AND SHOULD NOT BE USED WITHOUT WRITTEN PERMISSION					



52610-**72	キャリアテープ幅 CARRIER TAPE WIDTH	D	C	(B)	(A)	MATERIAL. NO.	極数 CKT.
------------	--------------------------------	---	---	-----	-----	---------------	------------

24	29.4	25.4	15.25	11.32	52610-1072	10
			14.25	10.32	52610-0972	9
			13.25	9.32	52610-0872	8
			11.25	7.32	52610-0672	6
			10.25	6.32	52610-0572	5

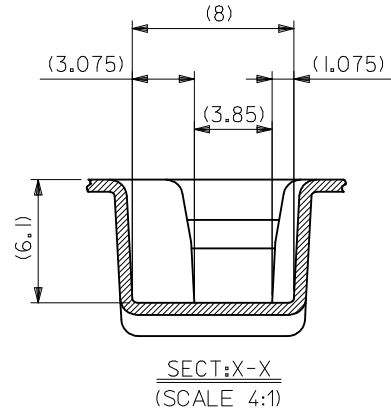
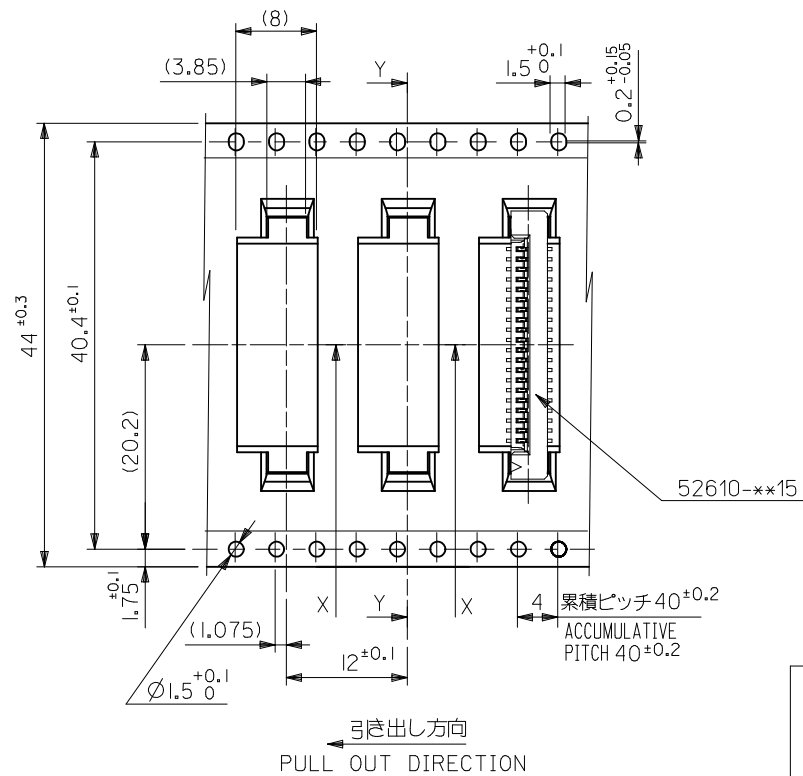
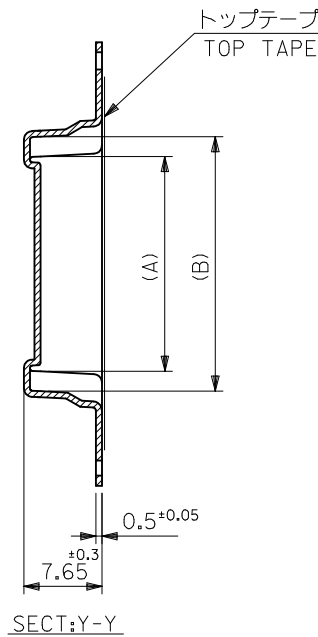
REVISED EC NO.: J2009-2061 DRWN:TKON 2009/05/20 CHKD:HMATSUMOTO 2009/05/21 APPR:NUKITA 2009/05/21	GENERAL TOLERANCES (UNLESS SPECIFIED)		DIMENSION STYLE MM ONLY		SCALE ---		DESIGN UNITS METRIC		THIRD ANGLE PROJECTION	
	10 UNDER	±0.2	DRAWN BY M. NABEI	DATE '05/07/21	TITLE 1.0 FPC CONN SMT ZIF EMBSTP PKG -LEAD FREE-					
	10 OVER 30 UNDER	±0.25	CHECKED BY K. TOYODA	DATE '05/07/21	MOLEX INCORPORATED					
	30 OVER	±0.3	APPROVED BY N. UKITA	DATE '05/07/21	MATERIAL NO. SEE TABLE		DOCUMENT NO. SD-52610-037		SHEET NO. 2 OF 5	
	ANGULAR ±3 °		THIS DRAWING CONTAINS INFORMATION THAT IS PROPRIETARY TO MOLEX INCORPORATED AND SHOULD NOT BE USED WITHOUT WRITTEN PERMISSION							
	DRAFT WHERE APPLICABLE MUST REMAIN WITHIN DIMENSIONS									



52610-\*\*72  
MODEL NO.

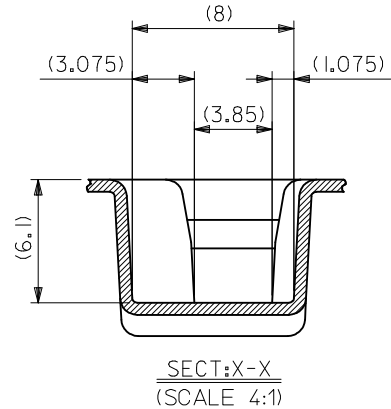
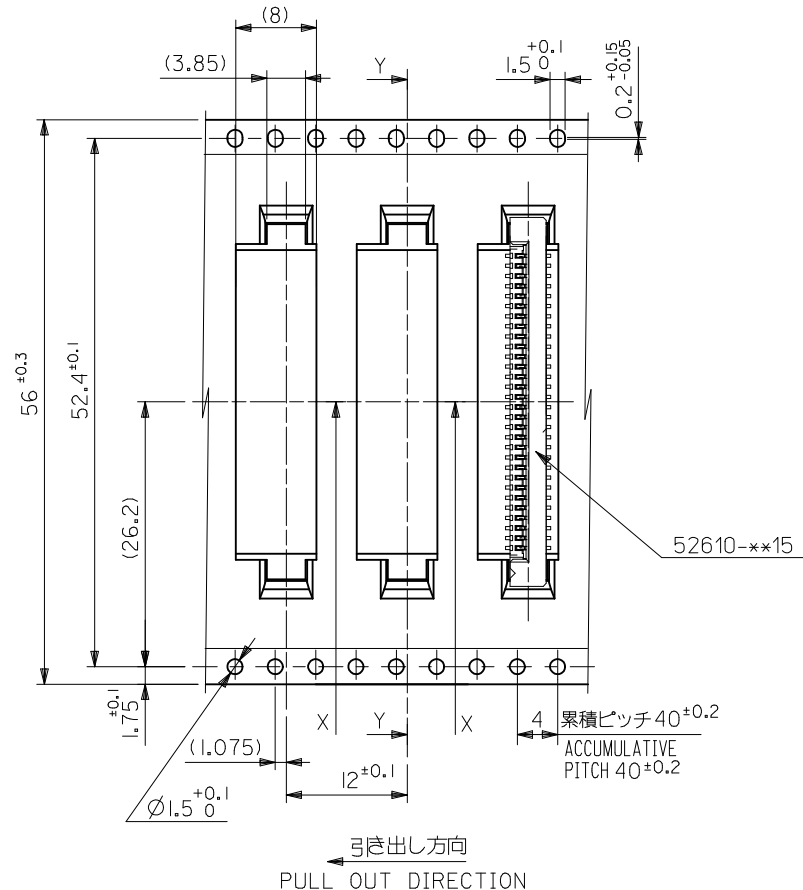
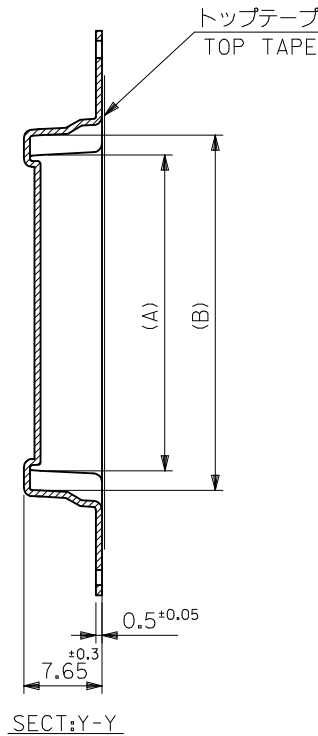
32	37.4	33.4	20.25	16.32	52610-1572	15	
			19.25	15.32	52610-1472	14	
			18.25	14.32	52610-1372	13	
			17.25	13.32	52610-1272	12	
			16.25	12.32	52610-1172	11	
キャリアテープ幅 CARRIER TAPE WIDTH		D	C	(B)	(A)	MATERIAL NO.	極数 CKT.

REVISED EC NO: J2009-2061 DRWN:TKON 2009/05/20 CHKD:HMATSUMOTO 2009/05/21 APPR:NUKITA 2009/05/21	DESCRIPTION	GENERAL TOLERANCES (UNLESS SPECIFIED)		DIMENSION STYLE MM ONLY		SCALE ---	DESIGN UNITS METRIC	THIRD ANGLE PROJECTION	
		10 UNDER	±0.2	DRAWN BY M. NABEI	DATE '05/07/21	TITLE 1.0 FPC CONN SMT ZIF EMBSTP PKG -LEAD FREE-			
		10 OVER 30 UNDER	±0.25	CHECKED BY K. TOYODA	DATE '05/07/21	MOLEX INCORPORATED			
		30 OVER	±0.3	APPROVED BY N. UKITA	DATE '05/07/21				
		ANGULAR ±3 °		DRAFT WHERE APPLICABLE MUST REMAIN WITHIN DIMENSIONS		MATERIAL NO. SEE TABLE	DOCUMENT NO. SD-52610-037	SHEET NO. 3 OF 5	
REV	REV	THIS DRAWING CONTAINS INFORMATION THAT IS PROPRIETARY TO MOLEX INCORPORATED AND SHOULD NOT BE USED WITHOUT WRITTEN PERMISSION							



44	49.4	45.4	31.25	27.32	52610-2672	26		
			30.25	26.32	52610-2572	25		
			29.25	25.32	52610-2472	24		
			27.25	23.32	52610-2272	22		
			25.25	21.32	52610-2072	20		
			23.25	19.32	52610-1872	18		
			22.25	18.32	52610-1772	17		
			21.25	17.32	52610-1672	16		
52610-***72		キャリアテープ幅 CARRIER TAPE WIDTH	D	C	(B)	(A)	MATERIAL. NO.	種数 CKT.

REVISED EC NO: J2009-2061 DRWN:TKON 2009/05/20 CHKD:HMATSUMOTO 2009/05/21 APPR:NUKITA 2009/05/21	DESCRIPTION REV	GENERAL TOLERANCES (UNLESS SPECIFIED)		DIMENSION STYLE MM ONLY		SCALE ---	DESIGN UNITS METRIC	THIRD ANGLE PROJECTION		
		10 UNDER	±0.2	DRAWN BY M. NABEI	DATE '05/07/21	TITLE 1.0 FPC CONN SMT ZIF EMBOSTP PKG -LEAD FREE-				
		10 OVER 30 UNDER	±0.25	CHECKED BY K. TOYODA	DATE '05/07/21	MOLEX INCORPORATED				
		30 OVER	±0.3	APPROVED BY N. UKITA	DATE '05/07/21	MATERIAL NO. SEE TABLE		DOCUMENT NO. SD-52610-037		SHEET NO. 4 OF 5
		ANGULAR ±3 °		THIS DRAWING CONTAINS INFORMATION THAT IS PROPRIETARY TO MOLEX INCORPORATED AND SHOULD NOT BE USED WITHOUT WRITTEN PERMISSION						
DRAFT WHERE APPLICABLE MUST REMAIN WITHIN DIMENSIONS										



52610-**-72	56	61.4	57.4	35.25	31.32	52610-3072	30
MODEL NO.	キャリアテープ幅 CARRIER TAPE WIDTH	D	C	(B)	(A)	MATERIAL. NO.	極数 CKT.

REVISED EC NO: J2009-2061 DRWN:TKON 2009/05/20 CHKD:HMATSUMOTO 2009/05/21 APPR:NUKITA 2009/05/21	GENERAL TOLERANCES (UNLESS SPECIFIED)		DIMENSION STYLE MM ONLY		SCALE ---	DESIGN UNITS METRIC	THIRD ANGLE PROJECTION
	10 UNDER	±0.2	DRAWN BY M. NABEI	DATE '05/07/21	TITLE 1.0 FPC CONN SMT ZIF EMBSTP PKG -LEAD FREE-		
	10 OVER 30 UNDER	±0.25	CHECKED BY K. TOYODA	DATE '05/07/21	MOLEX INCORPORATED		
	30 OVER	±0.3	APPROVED BY N. UKITA	DATE '05/07/21	MATERIAL NO. SEE TABLE	DOCUMENT NO. SD-52610-037	SHEET NO. 5 OF 5
REV	DESCRIPTION	ANGULAR ±3 °	THIS DRAWING CONTAINS INFORMATION THAT IS PROPRIETARY TO MOLEX INCORPORATED AND SHOULD NOT BE USED WITHOUT WRITTEN PERMISSION				
		DRAFT WHERE APPLICABLE MUST REMAIN WITHIN DIMENSIONS					