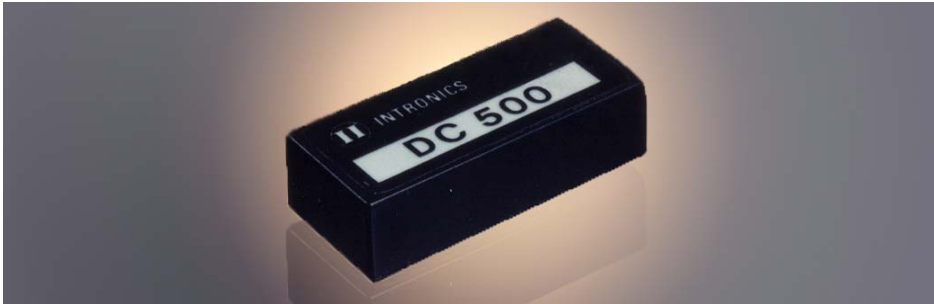


DC 500 SERIES

1.5 WATT
SINGLE & DUAL OUTPUT
DC-DC CONVERTERS



FEATURES

- DIP and SMD Package Options
- Fully Regulated
- Low Output Ripple and Noise
- High Reliability
- Input/Output Isolation

INPUT SPECIFICATIONS

Input Voltage: 5, 12, 24, 48V

Input Filter: Capacitor

Continuous short circuit protection

OUTPUT SPECIFICATIONS

Output Voltage: 5, 12, 15V

Voltage Accuracy: $\pm 4\%$

Line Regulation: $\pm 0.3\%$

Load Regulation (Max): $\pm 0.5\%$

Temperature Coefficient: $+ .02\%/^{\circ}\text{C}$

Ripple and Noise: $<1\%$ mVp-p

(20 MHz Bandwidth) See Note (1)

Short Circuit Protection: Continuous

GENERAL SPECIFICATIONS

Efficiency: 50%

Isolation Voltage: 500 VDC

Operating Temperature: -25°C to 71°C

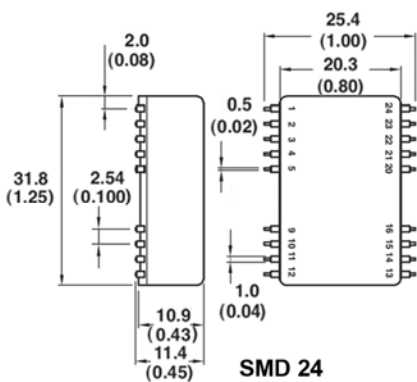
Storage Temperature: -40°C to 100°C

Case Type: Non Conductive Plastic

DIP or SMD

Note (1): With a 10uf tantalum capacitor across Output.

MODEL NUMBER		INPUT VOLTAGE	OUTPUT VOLTAGE	OUTPUT CURRENT
DC-501	SINGLE	5V	5V	300mA
DC-502		5V	12V	125mA
DC-503		5V	15V	100mA
DC-511		12V	5V	300mA
DC-512		12V	12V	125mA
DC-513		12V	15V	100mA
DC-521		24V	5V	300mA
DC-522		24V	12V	125mA
DC-523		24V	15V	100mA
DC-531		48V	5V	300mA
DC-532		48V	12V	125mA
DC-533		48V	15V	100mA
DC-507		DUAL	See DC-607	
DC-508	5V		$\pm 12\text{V}$	$\pm 125\text{mA}$
DC-509	5V		$\pm 15\text{V}$	$\pm 100\text{mA}$
DC-518	12V		$\pm 12\text{V}$	$\pm 125\text{mA}$
DC-519	12V		$\pm 15\text{V}$	$\pm 100\text{mA}$
DC-528	24V		$\pm 12\text{V}$	$\pm 125\text{mA}$
DC-529	24V		$\pm 15\text{V}$	$\pm 100\text{mA}$
DC-538	48V		$\pm 12\text{V}$	$\pm 125\text{mA}$
DC-539	48V		$\pm 15\text{V}$	$\pm 100\text{mA}$

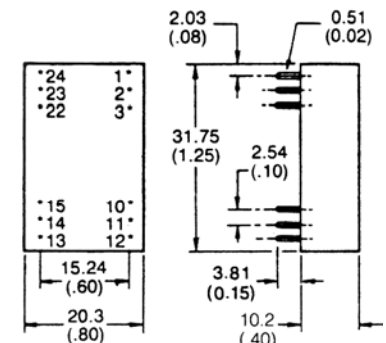


SMD 24

PIN CONNECTIONS:

PIN	SINGLE		DUAL	
	DIP	SMD	DIP	SMD
1 & 24	+ INPUT		+INPUT	
2 & 23	NC		- OUTPUT	
3 & 22	NC		COMMON	
10 & 15	- OUTPUT		COMMON	
11 & 14	+ OUTPUT		+ OUTPUT	
12 & 13	-INPUT		- INPUT	
4	NO PIN	NC	NO PIN	NC
5	NO PIN	NC	NO PIN	NC
9	NO PIN	NC	NO PIN	NC
16	NO PIN	NC	NO PIN	NC
20 & 21	NO PIN	NC	NO PIN	NC

NC: No Connection



DIP 24