

EPE6315G

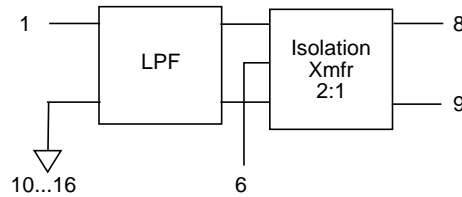
- Robust construction allows for IR/VP processes •
- Available in SMD, DIP and DIL Packages •

Electrical Parameters @ 25° C

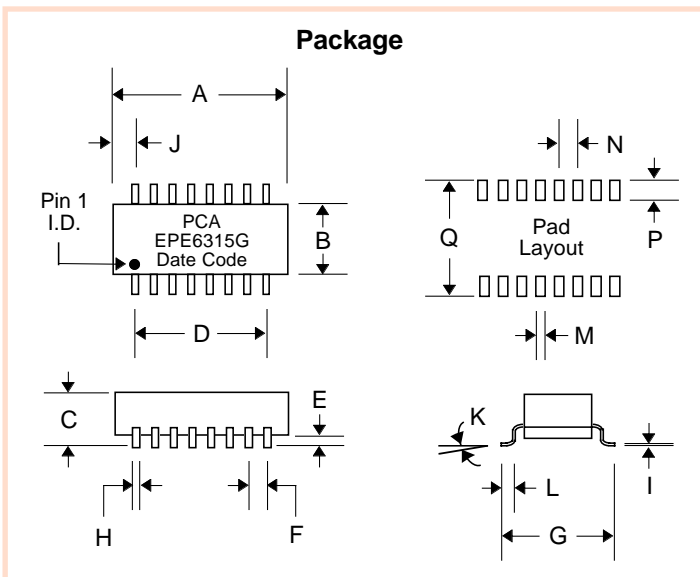
Cut-off Frequency (MHz)	Insertion Loss (dB Max.)	Return Loss (dB Min.)		Attenuation (dB Min.)		Group Delay (nS Max.)
		1 - 30 MHz	42 MHz	65 MHz	90 MHz	
(±2 MHz)	1 - 42 MHz	1 - 30 MHz	42 MHz	65 MHz	90 MHz	1 - 42 MHz
48	-1.5	-16	-8	-30	-40	35

- Characteristic Filter Impedance : 75 Ω •

Schematic



Package



Dimensions

Dim.	(Inches)			(Millimeters)		
	Min.	Max.	Nom.	Min.	Max.	Nom.
A	.970	.990	.980	24.64	25.15	24.89
B	.380	.400	.390	9.65	10.16	9.91
C	.223	.243	.233	5.66	6.17	5.92
D	---	---	.700	---	---	17.78
E	.010	.020	.015	.254	.508	.381
F	---	---	.100	---	---	2.54
G	.500	.520	.510	12.7	13.20	12.95
H	.016	.022	.018	.406	.559	.457
I	.008	.012	.010	.203	.304	.254
J	---	---	.140	---	---	3.56
K	0°	8°	---	0°	8°	---
L	.025	.045	.035	.635	1.14	.889
M	---	---	.030	---	---	.762
N	---	---	.100	---	---	2.54
P	---	---	.092	---	---	2.34
Q	---	---	.560	---	---	14.22