

**PLEASE CHECK WWW.MOLEX.COM FOR LATEST PART INFORMATION**

**Part Number:** [0475969941](#)  
**Status:** **Active**  
**Description:** LGA 1156 ILM Assembly with Straight Lever, Lead-free

**Documents:**

[Drawing \(PDF\)](#) [RoHS Certificate of Compliance \(PDF\)](#)  
[Product Specification PS-47596-001 \(PDF\)](#)

**General**

Product Family	Processor Sockets
Series	47596
Component Type	ILM Assembly
Product Name	LGA1156

**Physical**

Circuits (Loaded)	N/A
Durability (mating cycles max)	20
Material - Metal	Stainless Steel, Steel
Material - Plating Mating	Nickel
Packaging Type	Tray
Pitch - Mating Interface (in)	0.000 In
Pitch - Mating Interface (mm)	0.00 mm
Temperature Range - Operating	-25°C to +100°C
Termination Interface: Style	Screw or Lug

**Electrical**

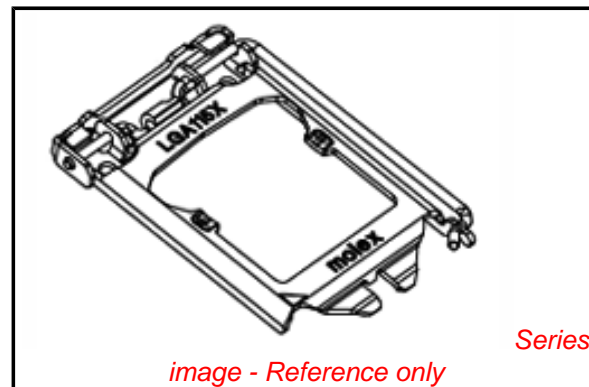
Current - Maximum per Contact	N/A
Voltage - Maximum	N/A

**Material Info**

**Reference - Drawing Numbers**

Packaging Specification	PK-47596-005
Product Specification	PS-47596-001
Sales Drawing	SD-47596-102

Intel and Nehalem and relevant names are either trademarks or registered trademarks of Intel Corporation



**EU RoHS**

**ELV and RoHS  
Compliant**  
**REACH SVHC  
Not Reviewed**  
**Halogen-Free  
Status  
Not Reviewed**

**China RoHS**



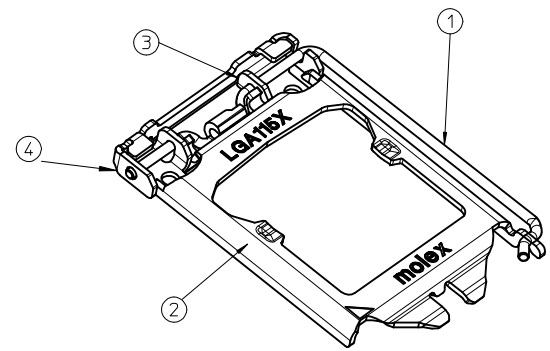
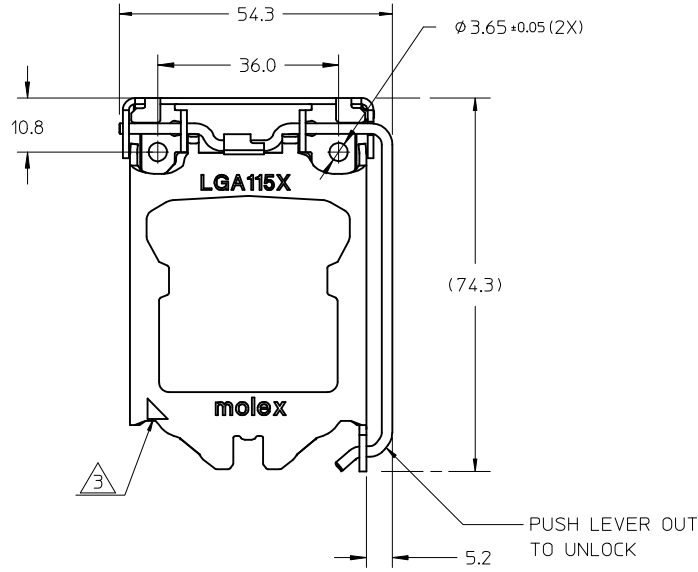
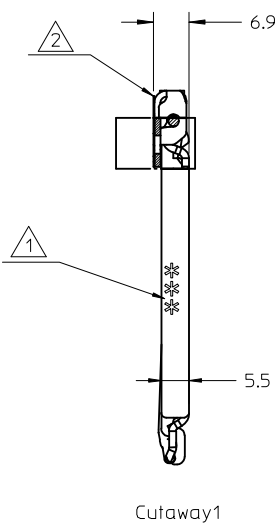
**Need more information on product  
environmental compliance?**

Email [productcompliance@molex.com](mailto:productcompliance@molex.com)  
 For a multiple part number RoHS Certificate of Compliance, [click here](#)

Please visit the [Contact Us](#) section for any non-product compliance questions.

**Search Parts in this Series**  
[47596Series](#)

**Mates With**  
 Intel\* Nehalem Processor



NOTES:

1. INK PRINTED DATE CODE: \* \* \*

- WORKING DAY
- WORKING MONTH
- WORKING YEAR

2. INSULATOR OVERHANG ILM FRAME.  
 3. AREA FILLED WITH BLACK INK  
 4. PART IS COMPLIANT TO RoHS DIRECTIVE 2002/95/EC AND ELV 2000/53/EC.

BILL OF MATERIAL			
ITEM No	QTY	DESCRIPTION	MATERIAL
	1	ILM TOP ASSY WITH SCREW	
1	1	ILM LEVER(STRAIGHT)	STAINLESS STEEL
2	1	ILM LOAD PLATE	STAINLESS STEEL
3	1	ILM FRAME	STEEL WITH NICKEL PLATING
4	1	ILM FRAME INSULATOR	POLYPROPYLENE SHEET

47596-8841	WITH HALOGEN FREE
47596-9941	WITHOUT HALOGEN FREE
PART NO.	DESCRIPTION

ENTER DESCRIPTION  
 EC NO: SH2010-0085  
 DRWN: ZHANG11 2009/09/25  
 CHKD: 2009/09/25  
 APPR: WEDENG 2009/10/12

QUALITY SYMBOLS	GENERAL TOLERANCES (UNLESS SPECIFIED)	
	mm	INCH
$F_{\Delta}=0$	4 PLACES $\pm$ ---	$\pm$ ---
$F_{\Delta}=0$	3 PLACES $\pm$ ---	$\pm$ ---
$F_{\Delta}=0$	2 PLACES $\pm$ 0.20	$\pm$ ---
	1 PLACE $\pm$ 0.25	$\pm$ ---
	ANGULAR $\pm$ 1°	
	DRAFT WHERE APPLICABLE MUST REMAIN WITHIN DIMENSIONS	

DIMENSION STYLE <b>MM ONLY</b>		SCALE <b>1:1</b>	DESIGN UNITS <b>METRIC</b>	THIRD ANGLE PROJECTION
DRAWN BY	DATE	TITLE <b>SOCKET 115X TOP ASSY</b>		
CHECKED BY	DATE	<b>MOLEX INCORPORATED</b>		
APPROVED BY	DATE			
MATERIAL NO.	DOCUMENT NO.	SHEET NO.		
<b>SEE TABLE</b>		<b>SD-47596-102</b>		<b>1 OF 1</b>
THIS DRAWING CONTAINS INFORMATION THAT IS PROPRIETARY TO MOLEX INCORPORATED AND SHOULD NOT BE USED WITHOUT WRITTEN PERMISSION				