

PLEASE CHECK WWW.MOLEX.COM FOR LATEST PART INFORMATION

Part Number: **0587230010**
Status: **Active**
Description: HMC™ Rectangular Industrial Hood, Multi-Module Type, Vertical, External Thread, 48-72 Circuits

Documents:

3D Model
Drawing (PDF)
Product Specification PS-58719-005 (PDF)

Product Specification PS-58719-006 (PDF)
RoHS Certificate of Compliance (PDF)

Agency Certification

TUV R72081037

General

Product Family I/O Connectors
Series 58723
Application Panel-Mount
Component Type Hood
Product Name HMC™
Type N/A

Physical

Circuits (Loaded) 48
Circuits (maximum) 48
Durability (mating cycles max) 50
Lock to Mating Part Yes
Material - Plating Mating n/a
Orientation Vertical
Packaging Type Bag
Panel Mount N/A
Pitch - Mating Interface (in) 0.000 In
Pitch - Mating Interface (mm) 0.00 mm
Pitch - Term. Interface (in) 0.000 In
Pitch - Term. Interface (mm) 0.00 mm
Polarized to Mating Part Yes
Temperature Range - Operating -55°C to +125°C
Termination Interface: Style N/A
Waterproof / Dustproof Yes
Waterproof / Dustproof Type IP65

Electrical

Current - Maximum per Contact 13A, 20A
Voltage - Maximum 250V AC

Material Info

Reference - Drawing Numbers

Product Specification PS-58719-005, PS-58719-006, RPS-58719-003, RPS-58719-004, RPS-58719-006, RPS-58719-007, RPS-58719-008
Sales Drawing SD-58723-002

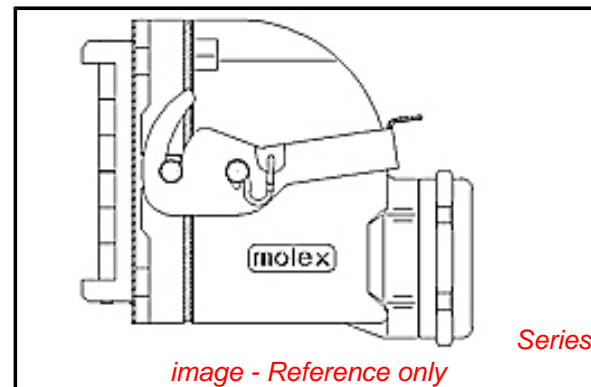


image - Reference only

EU RoHS

RoHS Compliant by Exemption
REACH SVHC
Not Reviewed
Halogen-Free
Status
Not Reviewed

China RoHS



Need more information on product environmental compliance?

Email productcompliance@molex.com
For a multiple part number RoHS Certificate of Compliance, [click here](#)

Please visit the [Contact Us](#) section for any non-product compliance questions.

Search Parts in this Series

58723Series

Mates With

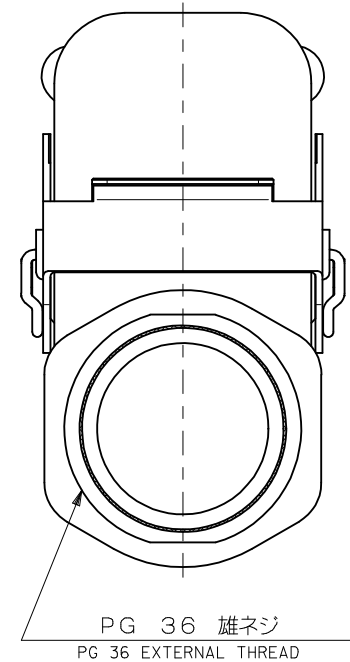
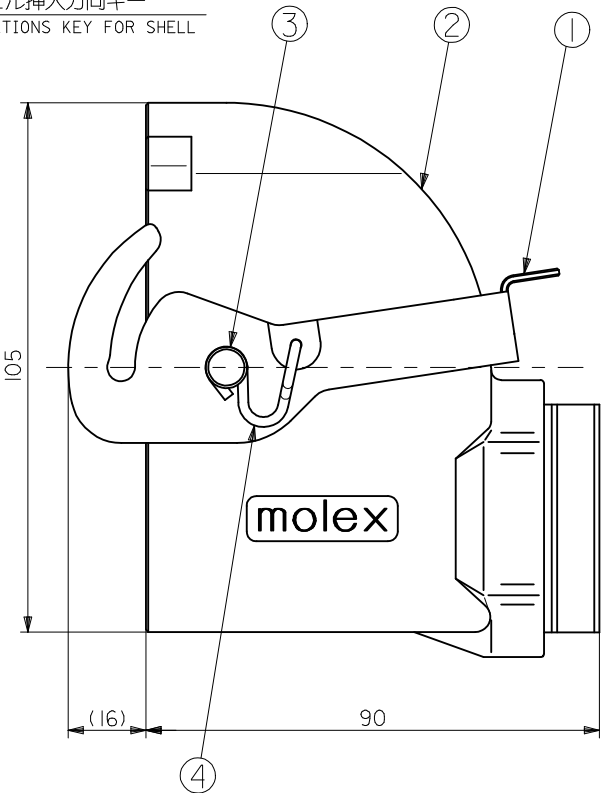
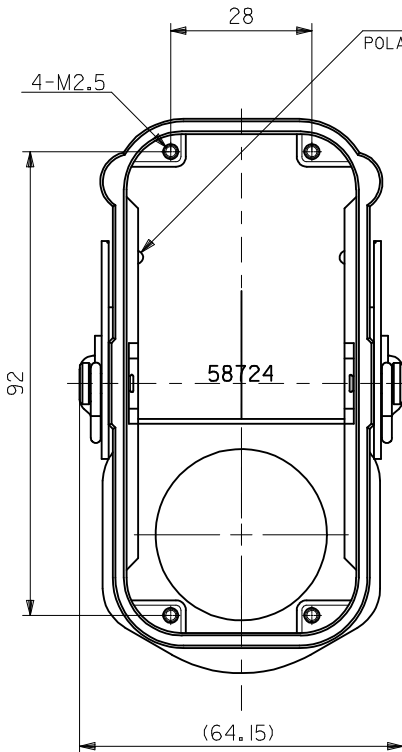
58719-0010 Panel-Mount Bracket Type A Polarization, 58719-0020 Panel-Mount Bracket Type B Polarization

Use With

58866 end bell cap assembly, 58721 hood bracket

10 9 8 7 6 5 4 3 2 1

部番 No.	部品名 PART NAME	数量 QTY.	材質 MATERIAL	記事 ARTICLE
①	レバー LEVER	1	鋼 STEEL	塗装処理 PAINTING
②	プラグカバー PLUG COVER	1	アルミニウム合金 ALUMINIUM ALLOY	—#—
③	ロックピン LOCKING PIN	2	ステンレス STAINLESS STEEL	—#—
④	レバースプリング LEVER SPRING	2	ステンレス STAINLESS STEEL	—#—



注記:
NOTES:
1. 適用プラグシエルアセンブリ
APPLICABLE PLUG SEHLL ASS'Y
1) TYPE A : 58721-0010
2) TYPE B : 58721-0020
2. 適用エンドベルキャップセット
APPLICABLE END BELL CAP SET
58866-****

58723-0010	58723-0010
MATERIAL NO.	MODEL NO.

REVISED EC NO: J2009-0816 DRWN: YMAEDA 2008/11/05 CHKD: NUKITA 2008/12/19 APPR: NUKITA 2008/12/19	GENERAL TOLERANCES (UNLESS SPECIFIED)		DIMENSION STYLE MM ONLY		SCALE 1:1	DESIGN UNITS METRIC	THIRD ANGLE PROJECTION
	10 UNDER	±0.2	DRAWN BY SAKIYAMA	DATE 1998/09/14	POWER CONN 48P PLUG COVER ASS'Y		
	10 OVER 30 UNDER	±0.25	CHECKED BY YITO	DATE 1998/09/21			
	30 OVER	±0.3	APPROVED BY HIKESUGI	DATE 1998/09/21	MOLEX INCORPORATED		
	ANGULAR	±3 °	MATERIAL NO.	DOCUMENT NO.			
DRAFT WHERE APPLICABLE MUST REMAIN WITHIN DIMENSIONS		SEE CHART		THIS DRAWING CONTAINS INFORMATION THAT IS PROPRIETARY TO MOLEX INCORPORATED AND SHOULD NOT BE USED WITHOUT WRITTEN PERMISSION			