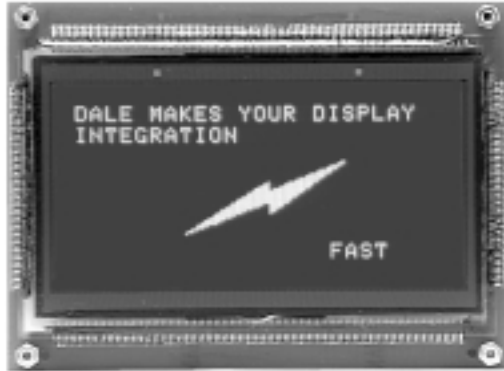


Plasma Panel Display Modules

192 x 96 Graphics Display with Drive Electronics Controller and Serial Interface



FEATURES

- 192 x 96 full field dot matrix
- Text or graphics modes
(8 rows of 32 characters in text mode)
- Only + 5 VDC required
- Very compact size
- Wide Viewing angle (150°)
- Flicker free refresh
- Editing functions
- High brightness

The APD-192G096 consists of a graphics DC plasma display panel, controller and DC/DC converter.

The controller maintains all the refresh memory, character generation and control logic to enable the module to serve as a direct readout device for many applications including POS terminals, industrial controls and microprocessor instruments. Single byte, two and three byte commands allow simplified code generation, yet accomplish complex display tasking such as scrolling or inserting lines and characters. An EPROM based character generator is easily configured for any character set, but comes standard with three variations of international fonts (Standard International, International plus Kata-kana and International plus Russian) and 128 block graphics characters. Alternate character sets can be factory or user programmed. The pixel pattern in text mode is 5 x 7 pixels in an 6 x 12 block. Two means of using graphics are supported. The first is character graphics, in which the user sends the proper ASCII code to select the desired graphics character. The character graphics mode allows easy mixing of text and graphics images. The second is the bit plot mode (using set and reset commands) which allows any graphic pattern to be drawn a bit at a time. Character entry in bit mode allows for 5 x 7 ASCII characters to be placed at any given pixel location within the pixel map. A FIFO buffer is used to capture incoming data in the event the display's microprocessor is busy with a length command. Handshaking is suggested when operating in the graphics mode. The data format is 1 start bit, 8 data bits and 1 stop bit.

OPTICAL SPECIFICATIONS

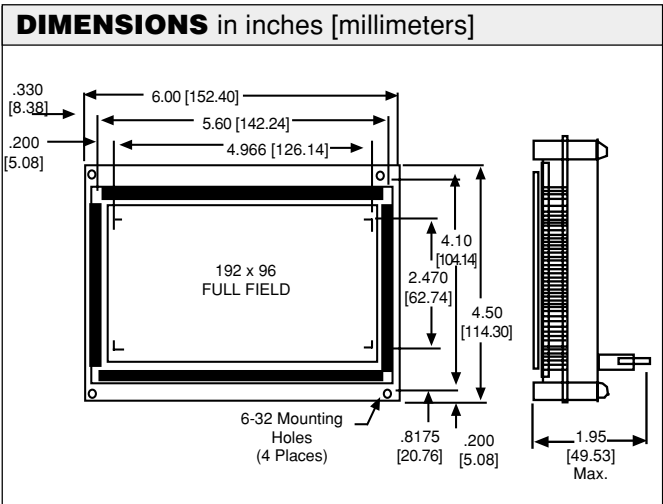
Viewing Area: 4.966" [126.14mm] W x 2.470" [62.74mm] H.

Pixel Size: 0.017" [0.43mm] square.

Pixel Pitch: 0.026" [0.66mm].

Luminance: 70 foot lamberts.

STANDARD ELECTRICAL SPECIFICATIONS				
	MIN.	TYP.	MAX.	UNITS
Supply Voltage	4.75	5.0	5.25	V
Supply Current	—	1.0	2.5	A



ORDERING INFORMATION

DESCRIPTION	PART NUMBER
Display, Drive Electronics and Controller	APD-192G096
Mating Connector	280105-02
Non-Glare Filter (amber circular polarized) - other filters available, contact factory	280109-16



Disclaimer

All product specifications and data are subject to change without notice.

Vishay Intertechnology, Inc., its affiliates, agents, and employees, and all persons acting on its or their behalf (collectively, "Vishay"), disclaim any and all liability for any errors, inaccuracies or incompleteness contained herein or in any other disclosure relating to any product.

Vishay disclaims any and all liability arising out of the use or application of any product described herein or of any information provided herein to the maximum extent permitted by law. The product specifications do not expand or otherwise modify Vishay's terms and conditions of purchase, including but not limited to the warranty expressed therein, which apply to these products.

No license, express or implied, by estoppel or otherwise, to any intellectual property rights is granted by this document or by any conduct of Vishay.

The products shown herein are not designed for use in medical, life-saving, or life-sustaining applications unless otherwise expressly indicated. Customers using or selling Vishay products not expressly indicated for use in such applications do so entirely at their own risk and agree to fully indemnify Vishay for any damages arising or resulting from such use or sale. Please contact authorized Vishay personnel to obtain written terms and conditions regarding products designed for such applications.

Product names and markings noted herein may be trademarks of their respective owners.