

**Data Sheet**
 telephone  
 949 252 0522


BACK

Product Category: Ceramic Resonator

Series Number	Package	Description	Last Modified
672 ~ 673	ZTACS / ZTTCS Ceramic	SMD Resonator	Jan. 01 2007

**FEATURES**

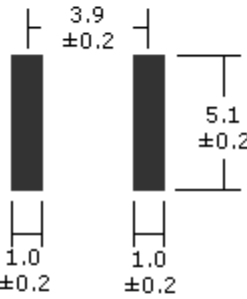
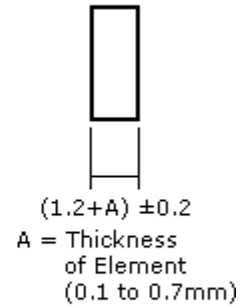
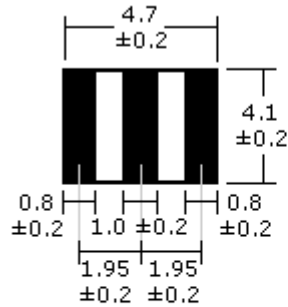
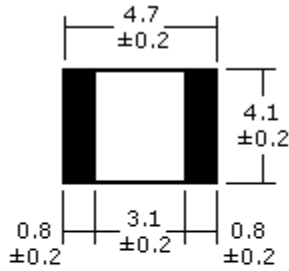
- Extended temperature range
- High stability Ceramic Resonator
- RoHs Compliant

**OPERATING CONDITIONS / ELECTRICAL CHARACTERISTICS**

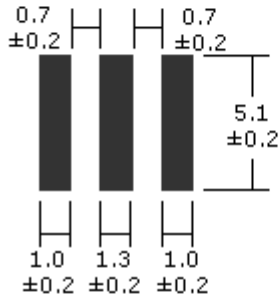
Series No.	Type	Fig	Frequency Range*	Frequency Accuracy	Stability in Temperature	Aging for Ten Years
			(MHz)	@ 25° (MHz)	-20° ~ +80°C	-
672	ZTACS	1	6.0 ~ 13.0	±0.5%	±0.4%	±0.3%
			13.01 ~ 60.0		±0.3%	
673	ZTTCS	2	6.0 ~ 13.0		±0.4%	
			13.01 ~ 60.0		±0.3%	

\*Higher Freq. Avail. Contact Oscilent for assistance.

**PACKAGE DIMENSIONS (mm)**



Recommended Land Pattern



Recommended Land Pattern

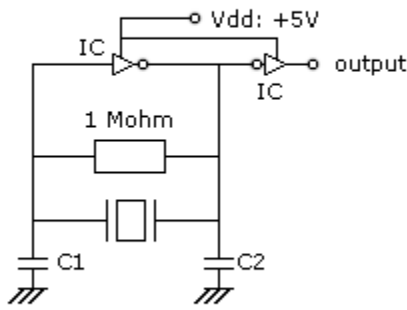


Figure 1) ZTACS

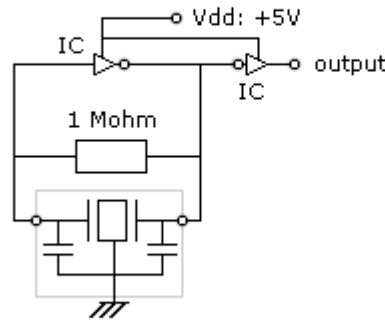


Figure 2) ZTCS

Test Circuit IC

Freq. 6.0 ~ 13.0 MHz: IC: 1/6TC4069UBPx2  
 13.01 ~ 60.0 MHz: IC: 1/6TC74HCU04x2

**VALUES OF C1 & C2**

Frequency Range (MHz)	C1 (pF)	C2 (pF)
6.00 ~ 20.00	30	30
20.01 ~ 25.99	15	15
26.00 ~ 60.00	5	5

**PART NUMBER GUIDE**

Part Number	Frequency	Load Capacitance	Frequency Accuracy (%)	Operating Temp (°C)	Packaging**
<b>672</b>	<b>- 12.0M</b>	<b>- 33</b>	<b>- 03</b>	<b>W</b>	Blank* = Bulk -TR = Tape/ Reel
672 = ZTACS 673 = ZTCS	e.g. -12.0M = 12.000 MHz Std. Range = 6.0 ~ 60.0 MHz Higher Freq. Avail. Contact Oscilent for assistance.	Blank* = Standard as shown in above Table or Fill in the blank e.g. 33 = 33pF	Blank* = ±0.5% -03 = ±0.3%	Blank* = -20 ~ +80 -N = -40 ~ +85 -W = -40 ~ +125	

**NOTE:** Deviations on all parameters available. Please consult Oscilent for details.

**DEFINITIONS:** Click on the characteristic names above, for definitions of the particular characteristic.

**\*STANDARDS:** "Blank" part number selections, indicate standard variables for the particular characteristic.

**\*\*PACKAGING:** Click on the packaging name above for Tape/Reel specifications

**Oscilent Corporation** - CALL **949.252.0522**  
18195 East McDermott Street . Building D . Irvine . CA 92614 . USA  
Fax: 949.252.0599 . E-Mail: Sales@Oscilent.com

**Series No.:** [672 to 673](#)

---

[Crystal Oscillators](#) | [Quartz Crystal](#) | [TCXO](#) | [VCXO](#) | [IF SAW Filter](#) | [RF SAW Filter](#) | [Ceramic Resonator](#)  
[Crystal Filter](#) | [Ceramic Filter](#) | [SAW Filter / SAW Devices](#) | [Site Map](#)