

Ovel Type LED lamp
BL-L557xx-D3
Features:

- 5mm Ovel Type (5.0*4.1*7.1mm) LED Lamps
- Ultra brightness.
- Choice of various viewing angles.
- Diffused, Transparent and Water clear lens
- IC compatible /Low current capability.
- Full color Display application
- RoHs Compliance


Electrical-optical characteristics: (Ta=25°C) (Test Condition: IF=20mA)

Part Number	Chip			Lens Type	Forward Voltage(VF) Unit:V		Luminous Intensity (Iv) Unit:mcd		Viewing Angle 2θ1/2 (deg)
	Emitted Color	Material	λ _p (nm)		Typ	Max	Min.	Typ.	
					Color Diff.				
BL-L557UED-D3	Ultra Red	AlGaInP	630	Color Diff.	2.10	2.50	300	450	X-X 75 Y-Y 40
BL-L557PGD-D3	Ultra Pure Green	InGaN	525		3.80	4.50	1500	2200	
BL-L557UBD-D3	Ultra Blue	InGaN	470		3.10	4.20	600	800	

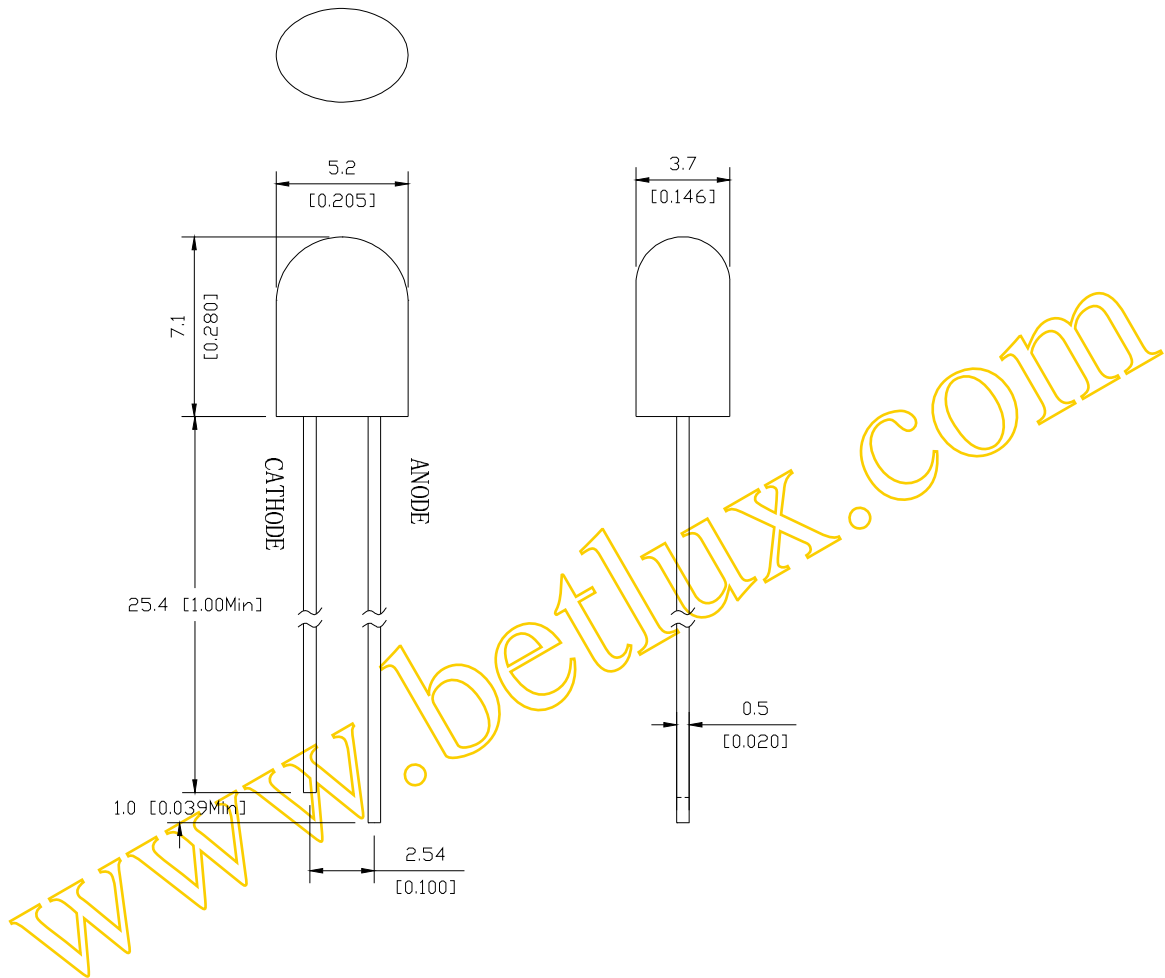
Absolute maximum ratings (Ta=25°C)

Parameter	UE	PG	UB	Unit
Forward Current I _F	30	30	30	mA
Power Dissipation P _d	65	110	120	mW
Reverse Voltage V _R	5	5	5	V
Peak Forward Current I _{PF} (Duty 1/10 @1KHZ)	150	150	100	mA
Operation Temperature T _{OPR}	-40 to +80			°C
Storage Temperature T _{STG}	-40 to +85			°C
Lead Soldering Temperature T _{SOL}	Max.260±5°C for 3 sec Max. (1.6mm from the base of the epoxy bulb)			°C

Ovel Type LED lamp

BL-L557xx-D3

■ Package configuration & Internal circuit diagram



Notes:

1. All dimensions are in millimeters (inches)
2. Tolerance is $\pm 0.25(0.01)$ unless otherwise noted.
3. Specifications are subject to change without notice.

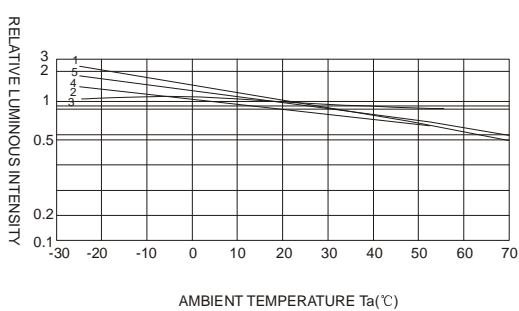
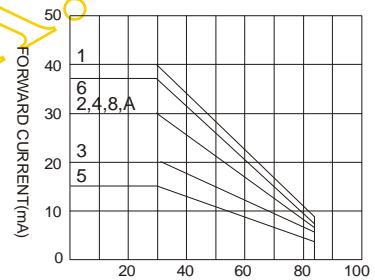
Ovel Type LED lamp

BL-L557xx-D3

Typical electrical-optical characteristics curves:



- | | |
|-------------------------------------------|--------------------------------------|
| (1) - GaAsP/GaAs 655nm/Red | (9) - GaAlAs 880nm |
| (2) - GaP 570nm/Yellow Green | (10) - GaAs/GaAs & GaAlAs/GaAs 940nm |
| (3) - GaAsP/GaP 585nm/Yellow | (A) - GaN/SiC 430nm/Blue |
| (4) - GaAsP/GaP 635nm/Orange & Hi-Eff Red | (B) - InGaN/SiC 470nm/Blue |
| (5) - GaP 700nm/Bright Red | (C) - InGaN/SiC 505nm/Ultra Green |
| (6) - GaAlAs/GaAs 660nm/Super Red | (D) - InGaN/SiC 525nm/Ultra Green |
| (8) - GaAsP/GaP 610nm/Super Red | |



NOTE:25°C free air temperature unless otherwise specified