

PLEASE CHECK WWW.MOLEX.COM FOR LATEST PART INFORMATION

Part Number: [0907092601](#)
Status: **Active**
Overview: [cgrid_sl_products](#)
Description: 2.54mm (.100") Pitch, C-Grid® Header, Dual Row, Low Profile, Right Angle, Shrouded, 26 Circuits, 0.38µm (15µ") Gold (Au) Selective Plating

Documents:

[3D Model](#) [RoHS Certificate of Compliance \(PDF\)](#)
[Drawing \(PDF\)](#)

General

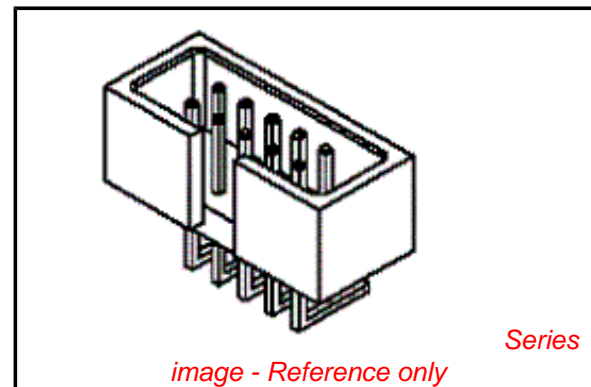
Product Family	PCB Headers
Series	90709
Application	Wire-to-Board
Overview	cgrid_sl_products
Product Name	C-Grid®

Physical

Breakaway	No
Circuits (Loaded)	26
Circuits (maximum)	26
Color - Resin	Black
Durability (mating cycles max)	50
First Mate / Last Break	No
Glow-Wire Compliant	No
Guide to Mating Part	No
Keying to Mating Part	None
Lock to Mating Part	Yes
Material - Metal	Brass
Material - Plating Mating	Gold
Material - Plating Termination	Tin-Lead
Material - Resin	Polyester
Number of Rows	2
Orientation	Right Angle
PC Tail Length (in)	0.120 In
PC Tail Length (mm)	3.05 mm
PCB Locator	No
PCB Retention	None
PCB Thickness Recommended (in)	0.062 In
PCB Thickness Recommended (mm)	1.60 mm
Packaging Type	Tray
Pitch - Mating Interface (in)	0.100 In
Pitch - Mating Interface (mm)	2.54 mm
Plating min: Mating (µin)	15.2
Plating min: Mating (µm)	0.38
Plating min: Termination (µin)	75.2
Plating min: Termination (µm)	1.88
Polarized to Mating Part	Center Slot
Polarized to PCB	No
Shrouded	Fully
Stackable	No
Temperature Range - Operating	-55°C to +120°C
Termination Interface: Style	Through Hole

Electrical

Current - Maximum per Contact	2.5A
-------------------------------	------



EU RoHS

ELV and RoHS Compliant
REACH SVHC
Contains SVHC: No
Halogen-Free
Status

China RoHS



Need more information on product environmental compliance?

Email productcompliance@molex.com
 For a multiple part number RoHS Certificate of Compliance, [click here](#)

Please visit the [Contact Us](#) section for any non-product compliance questions.

Search Parts in this Series

[90709Series](#)

Mates With

[70058 SL™ Female Crimp Terminal](#)

Voltage - Maximum

250V

Material Info

Reference - Drawing Numbers

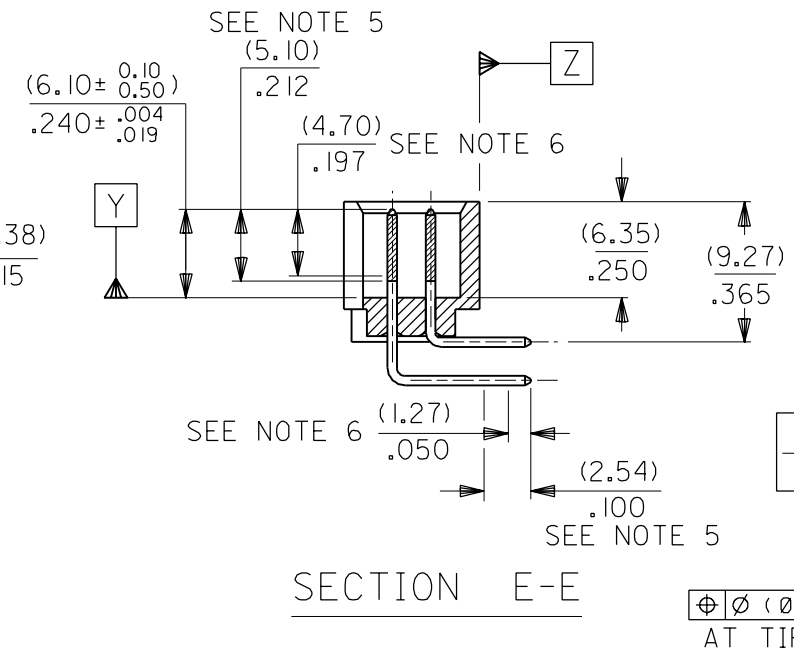
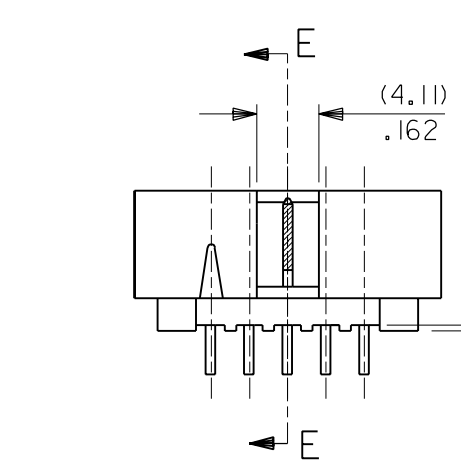
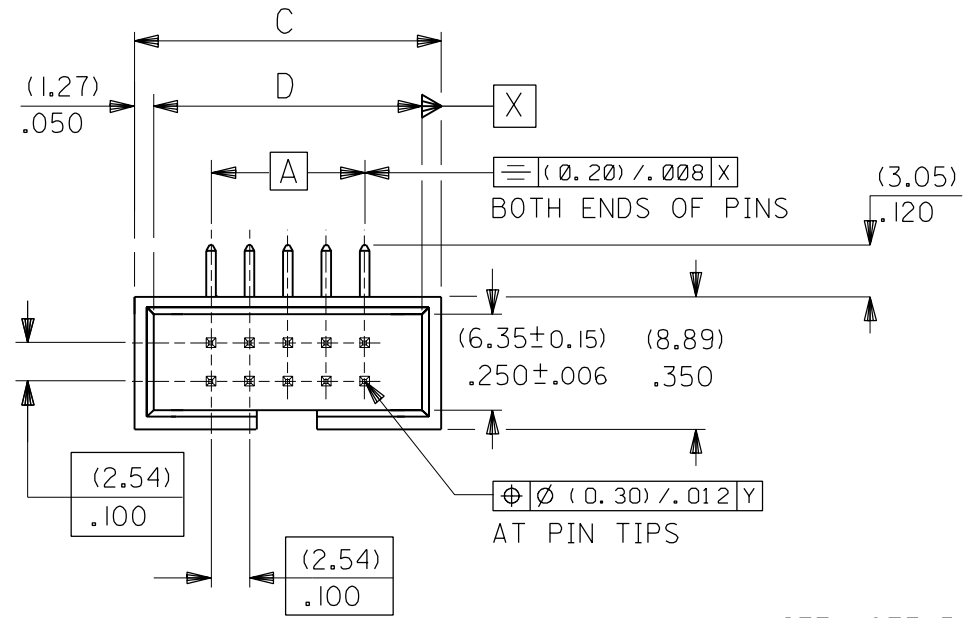
Sales Drawing

SDA-90709

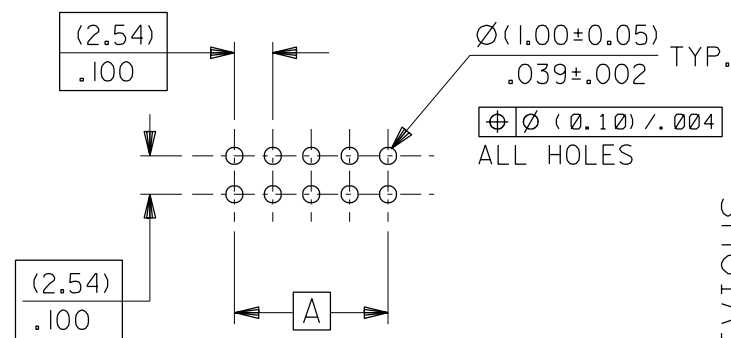
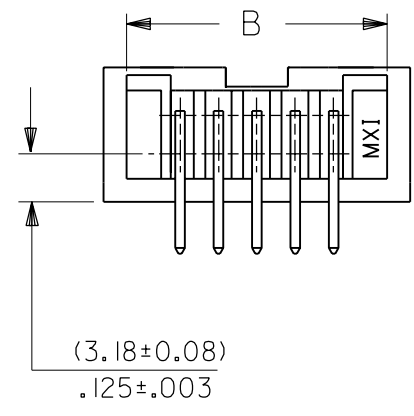
This document was generated on 05/26/2010

PLEASE CHECK WWW.MOLEX.COM FOR LATEST PART INFORMATION

PART NO. SEE CHART
 DWG. NO. SDA-90709



RECOMMENDED P.C. BOARD HOLE LAYOUT



FOR PREVIOUS DRAWING ISSUES SEE MRI.

LEAD FREE CONVERSION
 EC No. E2004-0792
 DRWN: PSHEAHAN 04/02/17
 CHK'G: / / / /
 APPR: / / / /

THIRD ANGLE PROJECTION		DRWG BY POB
DIMENSIONS SHOWN (METRIC) INCH UNLESS OTHERWISE SPECIFIED TOLERANCES: ANGULAR ±2° INCH (METRIC)		CHK'D BY
3 PLACE ± .010		APP'D BY
2 PLACE ± .	± 0.25	SCALE 2 : 1
1 PLACE ±		
DRAFT WHERE APPLICABLE MUST REMAIN WITHIN DIMENSIONS		
DESIGN DIMENSION (PRIMARY)	<input checked="" type="checkbox"/> (MM) <input type="checkbox"/> IN.	
EQUIVALENT DIMENSION (SECONDARY)	<input type="checkbox"/> (MM) <input checked="" type="checkbox"/> IN.	

- NOTES:**
- MATERIALS: WAFER; 15% GLASS FILLED PBT, 94V-0, PINS; (0.635)/.025 SQ BRASS WIRE.
 - PIN SOLDERABILITY PER MOLEX SPEC. ES-152
 - PIN PUSHOUT FORCE (.9072KG)/2LBS MIN.
 - WAFER TO BE FLAT WITHIN (0.03MM/CM)/.003IN/IN
 - THESE DIMENSIONS DEFINE THE MINIMUM COVERAGE FOR PLATING.
 - THESE DIMENSIONS DEFINE THE MEASURING POINT FOR PLATING THICKNESS.
 - FINISH (PER ES-88):
 - 90709-***1: GOLD PLATE (0.38um)/15uin MIN. IN SELECTED AREA. (TYPE 587) TIN PLATE (1.9um)/75uin MIN. IN SELECTED AREA. OVER (1.3um)/50uin MIN. NICKEL OVERALL.
 - 90709-***2: GOLD PLATE (0.76um)/30uin MIN. IN SELECTED AREA. (TYPE 599) TIN PLATE (1.9um)/75uin MIN. IN SELECTED AREA. OVER (1.3um)/50uin MIN. NICKEL OVERALL.
 - 90709-***3: GOLD PLATE (0.10um)/5uin MIN. IN SELECTED AREA. (TYPE 608) TIN PLATE (1.9um)/75uin MIN. IN SELECTED AREA. OVER (1.3um)/50uin MIN. NICKEL OVERALL.

PRE-RELEASE REFERENCE USE ONLY

REVISE ONLY ON CAD SYSTEM		SH. REV.
CAD/CAM FILENAME SA90709X1 DGN	THIS DRAWING CONTAINS INFORMATION THAT IS PROPRIETARY TO MOLEX INC. & SHOULD NOT BE USED WITHOUT WRITTEN PERMISSION	
TITLE (2.54)/.100 R/A DUAL ROW LOW PROFILE SHROUDED HEADER ASSEMBLY		
MOLEX MOLEX EUROPE		SHEET NO. DATE 10F1 9/10/01
PART NO. SEE CHART	DWG NO. SDA-90709	SIZE B

PART NUMBER	CIRCUIT SIZE	DIM A	DIM B	DIM C	DIM D
90709-100*	10	(10.16) 0.400	(17.27) 0.680	(20.32) 0.800	(17.78) 0.700
90709-140*	14	(15.24) 0.600	(22.35) 0.880	(25.40) 1.000	(22.86) 0.900
90709-160*	16	(17.78) 0.700	(24.89) 0.980	(27.94) 1.100	(25.40) 1.000
90709-200*	20	(22.86) 0.900	(29.97) 1.180	(33.02) 1.300	(30.48) 1.200
90709-260*	26	(30.48) 1.200	(37.59) 1.480	(40.64) 1.600	(38.10) 1.500
90709-300*	30	(35.56) 1.400	(42.67) 1.680	(45.72) 1.800	(43.18) 1.700
90709-340*	34	(40.64) 1.600	(47.75) 1.880	(50.80) 2.000	(48.26) 1.900
90709-400*	40	(48.26) 1.900	(55.37) 2.180	(58.42) 2.300	(55.88) 2.200
90709-500*	50	(60.96) 2.400	(68.07) 2.680	(71.12) 2.800	(68.58) 2.700
90709-600*	60	(73.66) 2.900	(80.77) 3.180	(83.82) 3.300	(81.28) 3.200
90709-640*	64	(78.74) 3.100	(85.85) 3.380	(88.90) 3.500	(86.36) 3.400