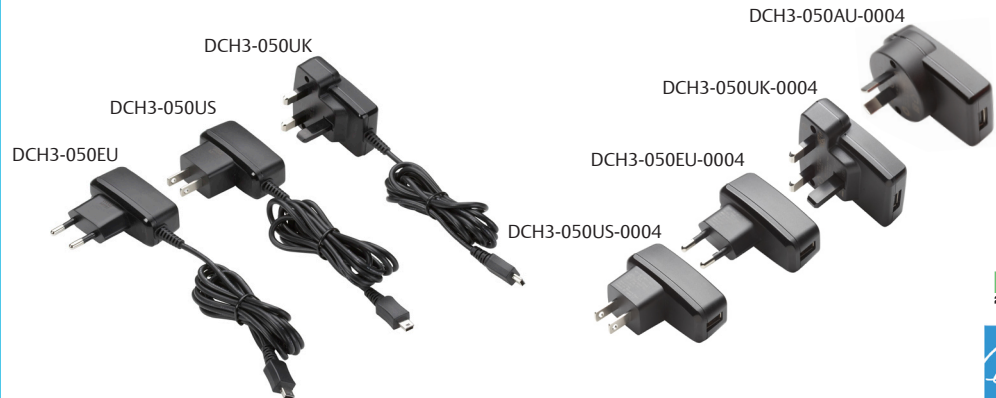


DCH3 Series

3 Watts

Total Power: 3 Watts
Input Voltage: 100-254 Vac
of Outputs: Single



Special Features

- USB Switching wallmount power supply
- Universal AC input
- Available in multiple AC plug configurations
- CE Mark EMC & LVD
- Regulated output
- Overload and short circuit protection
- Constant voltage, constant current
- Energy Star Efficiency Level IV
- Built in EMI filter (CISPR 22 Class B)
- Available in various output connectors
- Mini USB 2.0 dc output plug - 0001
- Micro USB 2.0 dc output plug - 0002
- Cable less version - USB-A receptacle-0004

Safety

- **cUL** 60950 / 6500
- **CSA** 60950
- **TUV** 60950
- **NEMKO** 60950
- **CB** Certificate and report
- **CE** EMC & LVD

Electrical Specifications

Input

Input range:	100-254 Vac (wide range)
Frequency:	47-63 Hz
EMI/RFI:	FCC Part 15, Subpart B Class B & EN55022 (CISPR 22) Class B & EMC89/336/EEC
Safety ground leakage current:	10 μ A @ 50/60 Hz, 230 Vac input

Output

Voltage (Vo):	5 V (4.75 - 5.25 V)
Maximum Power (Po):	3 W
Hold-up time:	25 ms. typical at full load @ 115 Vac
Overvoltage protection:	Single fault 10.5 V max. Latching type
Overload protection:	Output short circuit protection auto recover Overload protected > 800mA
Output:	DC cable with Mini USB 2.0 -0001 suffix and Micro USB 2.0 -0002, Cableless USB-A-0004 suffix
Connector Pinout:	Pin 1: +V Pin 5: ground

Environmental Specifications

Operating temperature:	0° to 45 °C ambient
Storage temperature:	-20°C to +70 °C
Electromagnetic susceptibility:	Designed to meet EN55082-1
Humidity:	Operating; non-condensing 20% to 90% RH
Vibration:	Per IEC 60068-2-6

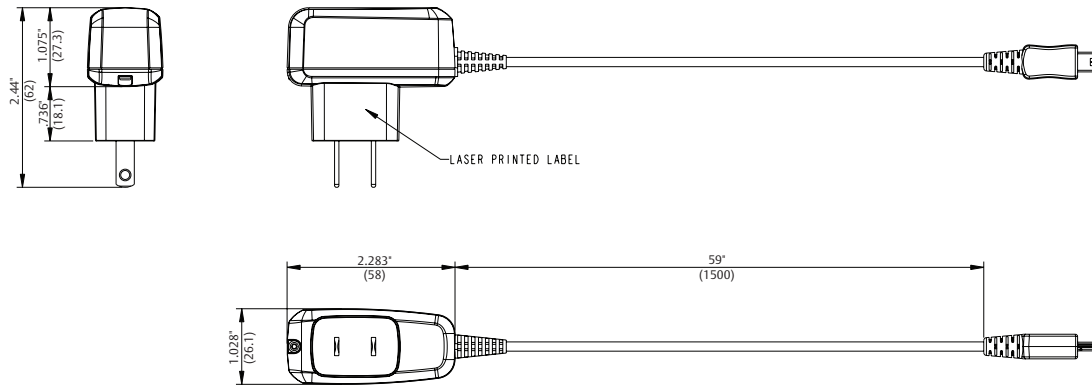
Ordering Information

Model Number	Maximum Power	Output Voltage	Minimum Load	Maximum Load	Ripple P/P (PAR) ¹	Connector
DCH3-050US-0001	3 W	5 V	0	0.55 A	200 mV	Mini USB 2.0
DCH3-050EU-0001	3 W	5 V	0	0.55 A	200 mV	Mini USB 2.0
DCH3-050UK-0001	3 W	5 V	0	0.55 A	200 mV	Mini USB 2.0
DCH3-050US-0002	3 W	5 V	0	0.55 A	200 mV	Micro USB 2.0
DCH3-050EU-0002	3 W	5 V	0	0.55 A	200 mV	Micro USB 2.0
DCH3-050UK-0002	3 W	5 V	0	0.55 A	200 mV	Micro USB 2.0
DCH3-050US-0004	3 W	5 V	0	0.55 A	200 mV	USB-A
DCH3-050EU-0004	3 W	5 V	0	0.55 A	200 mV	USB-A
DCH3-050UK-0004	3 W	5 V	0	0.55 A	200 mV	USB-A
DCH3-050AU-0004	3 W	5 V	0	0.55 A	200 mV	USB-A

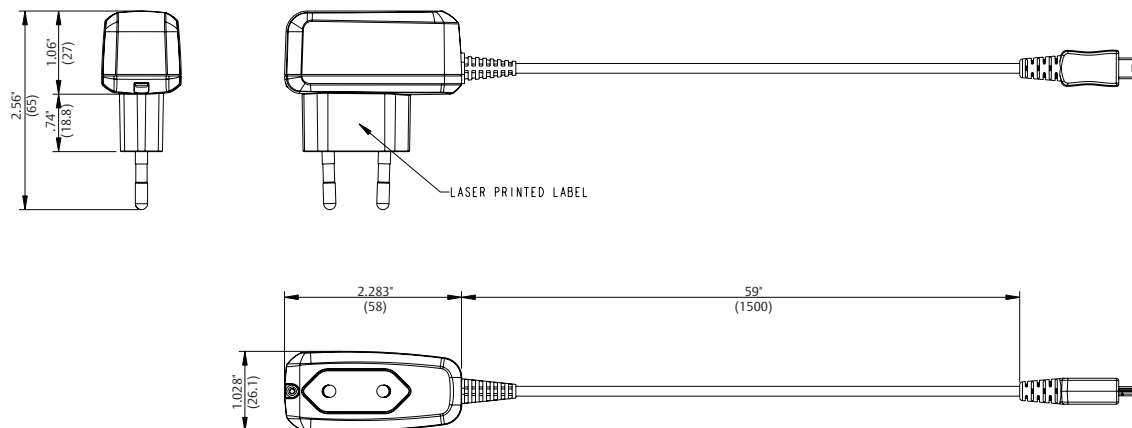
1. Peak-to-peak with 20 MHz bandwidth and 10 μ F (tantalum capacitor) in parallel with a 0.1 μ F capacitor at rated line voltage and load ranges.
2. Output should not be grounded for EMI purpose.

Mechanical Drawing

DCH3-050US - 0001 & 0002



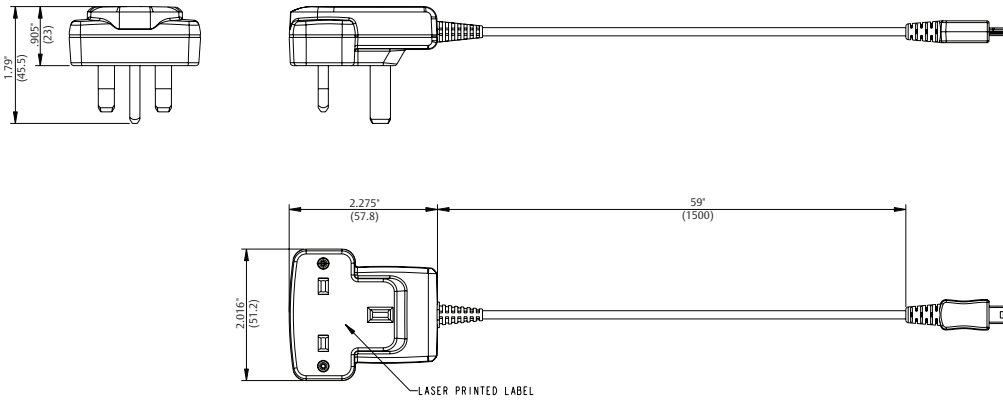
DCH3-050EU - 0001 & -0002



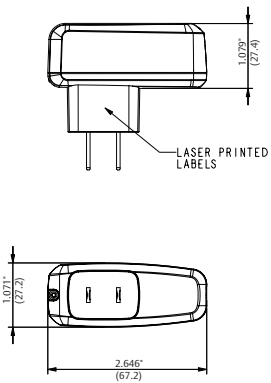
Mechanical Drawing

Rev. 12.09.08_110
DCH3 Series
3 of 4

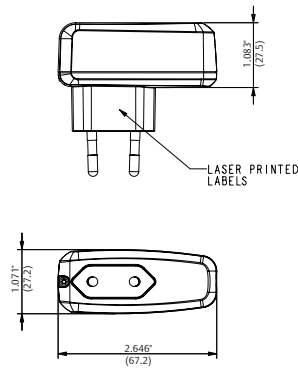
DCH3-050UK - 0001 & - 0002



DCH3-050US - 0004

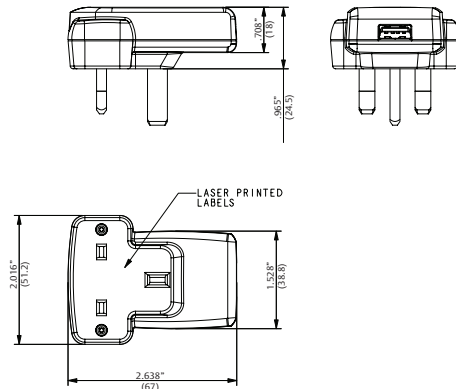


DCH3-050EU - 0004

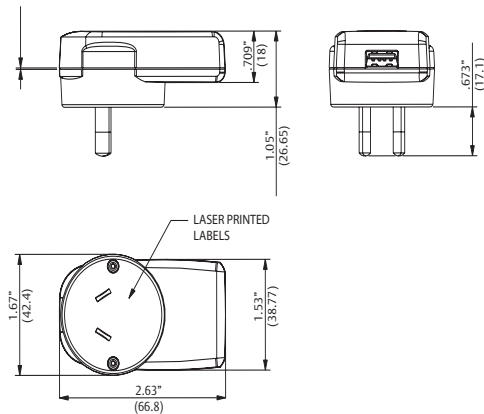


Mechanical Drawing

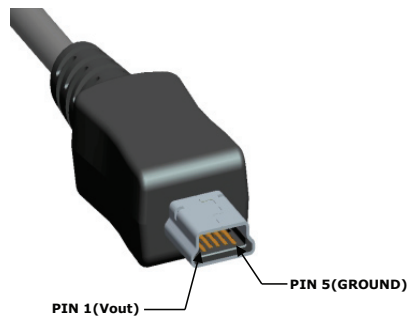
DCH3-050UK - 0004



DCH3-050AU - 0004



Pin Assignments



Notes:

1. Specifications subject to change without notice.
2. All dimensions in inches (mm), tolerance is $\pm .02$ ".
3. Warranty: 2 years
4. Weight: 0.144 lb. / 0.066kg.

Americas

5810 Van Allen Way
Carlsbad, CA 92008
USA
Telephone: +1 760 930 4600
Facsimile: +1 760 930 0698

Europe (UK)

Waterfront Business Park
Merry Hill, Dudley
West Midlands, DY5 1LX
United Kingdom
Telephone: +44 (0) 1384 842 211
Facsimile: +44 (0) 1384 843 355

Asia (HK)

14/F, Lu Plaza
2 Wing Yip Street
Kwun Tong, Kowloon
Hong Kong
Telephone: +852 2176 3333
Facsimile: +852 2176 3888

For global contact, visit:

www.powerconversion.com
techsupport.embeddedpower@emerson.com

While every precaution has been taken to ensure accuracy and completeness in this literature, Emerson Network Power assumes no responsibility, and disclaims all liability for damages resulting from use of this information or for any errors or omissions.

Emerson Network Power.

The global leader in enabling
business-critical continuity.

- AC Power
- Connectivity
- DC Power
- Embedded Computing
- **Embedded Power**
- Monitoring
- Outside Plant
- Power Switching & Controls
- Precision Cooling
- Racks & Integrated Cabinets
- Services
- Surge Protection

EmersonNetworkPower.com

Emerson Network Power and the Emerson Network Power logo are trademarks and service marks of Emerson Electric Co.
©2008 Emerson Electric Co.