

PLEASE CHECK WWW.MOLEX.COM FOR LATEST PART INFORMATION

Part Number: [0250010801](#)
Status: **Active**
Overview: ribbon_cable_jumpers
Description: 2.54mm (.100") Pitch Board-to-Board Ribbon Cable Jumper - 26 AWG, Stranded Topcoat, 8 Circuits, Strip and Retain, 0.025m (1.00") Length

Documents:

[Drawing \(PDF\)](#) [RoHS Certificate of Compliance \(PDF\)](#)

General

| | |
|-------------------------|--------------------------------------|
| Product Family | Cable |
| Series | 25001 |
| Crimp Quality Equipment | Yes |
| Geographic Area | Asia |
| Overview | ribbon_cable_jumpers |
| Product Name | Ribbon |

Physical

| | |
|-------------------------------|--------------------------|
| Cable Length | 0.025m (1.00") |
| Circuits (Loaded) | 8 |
| Circuits (maximum) | 8 |
| Insulation | PVC |
| Packaging Type | Bag |
| Pitch - Term. Interface (in) | 0.100 In |
| Pitch - Term. Interface (mm) | 2.54 mm |
| Temperature Range - Operating | -20°C to +105°C |
| Wire Size AWG | 26 |
| Wire/Cable Type | (7x34) Stranded, Topcoat |

Electrical

| | |
|-------------------------------|------|
| Current - Maximum per Contact | N/A |
| Voltage - Maximum | 300V |

Material Info

Reference - Drawing Numbers

| | |
|---------------|--------------|
| Sales Drawing | SD-25001-001 |
|---------------|--------------|



image - Reference only

EU RoHS

**ELV and RoHS
Compliant**
**REACH SVHC
Not Reviewed**
**Halogen-Free
Status**

China RoHS



**Need more information on product
environmental compliance?**

Email productcompliance@molex.com
 For a multiple part number RoHS Certificate of Compliance, [click here](#)

Please visit the [Contact Us](#) section for any non-product compliance questions.

Search Parts in this Series
[25001Series](#)

PLEASE CHECK WWW.MOLEX.COM FOR LATEST PART INFORMATION

CABLE SPECIFICATIONS:

1.- STANDARD JUMPER SERIES # 25001 (8996 CABLE .125" S/R BOTH ENDS)

2.- PHYSICAL

CONDUCTOR SPACING ----- .100" (2.54mm) ϕ TO ϕ
 WIRE GAUGE ----- 26 AWG (7/34), STRANDED, TOPCOAT
 INSULATION ----- GRAY PVC
 EDGE MARK COLOR ----- RED

3.- AGENCY

U.L. STYLE ----- 2651
 TEMPERATURE RATING ----- -20 °C TO 105 °C
 VOLTAGE RATING ----- 300V. MAX.
 FLAMMABILITY RATING ----- VW-1

4.- SPECIAL REQUIREMENT

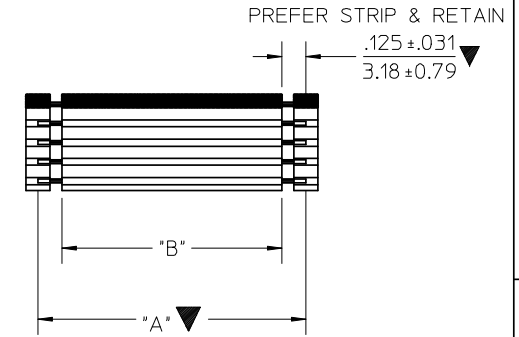
RoHS AND LEAD FREE COMPLIANT
 NO TEXT MARKING ON PCB

5.- GENERAL

NON-OPERATING TEMPERATURE ----- -20°C TO 105°C $\triangle B_1$

6.- SOLDERING CONDITION

SOLDER TEMPERATURE ----- 260°C. MAX.
 SOLDERING TIME ----- 3 SECOND. MAX.
 INSULATION SHRINK ----- 2MM. NOM

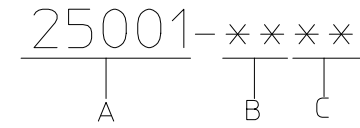


PCB HOLE LAYOUT
 RECOMENDED HOLE DIA. .032 In.



OVERALL LENGTH ("A")
 TOLERANCE FOR OAL +/- .100"
 INSULATION LENGTH ("B" REF.)
 DIMS "A" & "B" REFERS TO
 SHOWN IN MATRIX.

| MATRIX FOR STANDARD JUMPERS SERIES # 25001 (8996 CABLE .125" S/R BOTH ENDS) | | | | | | | | |
|---|------------|------------|------------|------------|------------|------------|------------|------------|
| LENGTH "A" (±.100") | 1.250" | 2.250" | 3.250" | 4.250" | 5.250" | 6.250" | 7.250" | 8.250" |
| LENGTH "B" CIRCUITS (REF) | 1.000" | 2.000" | 3.000" | 4.000" | 5.000" | 6.000" | 7.000" | 8.000" |
| 3 | 25001-0301 | 25001-0302 | 25001-0303 | 25001-0304 | 25001-0305 | 25001-0306 | 25001-0307 | 25001-0308 |
| 4 | 25001-0401 | 25001-0402 | 25001-0403 | 25001-0404 | 25001-0405 | 25001-0406 | 25001-0407 | 25001-0408 |
| 5 | 25001-0501 | 25001-0502 | 25001-0503 | 25001-0504 | 25001-0505 | 25001-0506 | 25001-0507 | 25001-0508 |
| 6 | 25001-0601 | 25001-0602 | 25001-0603 | 25001-0604 | 25001-0605 | 25001-0606 | 25001-0607 | 25001-0608 |
| 7 | 25001-0701 | 25001-0702 | 25001-0703 | 25001-0704 | 25001-0705 | 25001-0706 | 25001-0707 | 25001-0708 |
| 8 | 25001-0801 | 25001-0802 | 25001-0803 | 25001-0804 | 25001-0805 | 25001-0806 | 25001-0807 | 25001-0808 |
| 9 | 25001-0901 | 25001-0902 | 25001-0903 | 25001-0904 | 25001-0905 | 25001-0906 | 25001-0907 | 25001-0908 |
| 10 | 25001-1001 | 25001-1002 | 25001-1003 | 25001-1004 | 25001-1005 | 25001-1006 | 25001-1007 | 25001-1008 |
| 11 | 25001-1101 | 25001-1102 | --- | --- | --- | --- | --- | --- |



A = STD. JUMPER I.D. No
 B = CIRCUIT SIZE
 3 THRU 11
 C = DENOTES LENGTH
 1.000" TO 8.000"

| | | | | | | | | |
|--|-------------------------------|---|----------------------------|--------------------------|---|------------------------------|----------------------|---------------------------|
| SEE CHANGE DETAIL EC NO: THL2008-0019 DRWN: CPANSAKHOH 2007/12/07 CHKD: NCHALERM 2007/12/11 APPR: SVIRATJAPOL 2007/12/20 | QUALITY SYMBOLS ▽=3 ▽=0 | GENERAL TOLERANCES (UNLESS SPECIFIED) | | DIMENSION STYLE IN/MM | | SCALE NTS | DESIGN UNITS INCH | THIRD ANGLE PROJECTION |
| | | 4 PLACES ± --- ± --- 3 PLACES ± --- ± --- 2 PLACES ± --- ± --- 1 PLACE ± --- ± --- ANGULAR ± ---° | DRAWN BY PREECHAI | DATE 2006/05/17 | TITLE STANDARD JUMPER .100" CTR PVC INSULATED 26 AWG STR. TOPCATED | | | |
| | | DRAFT WHERE APPLICABLE MUST REMAIN WITHIN DIMENSIONS | APPROVED BY SVIRATJAPOL | DATE 2006/05/17 | MOLEX INCORPORATED | | | |
| REV. HISTORY B | REV | SEE CHART | | MATERIAL NO. | | DOCUMENT NO. SD-25001-001 | | SHEET NO. 1 OF 1 |