

**PLEASE CHECK WWW.MOLEX.COM FOR LATEST PART INFORMATION**

**Part Number:** [0353630250](#)  
**Status:** **Active**  
**Overview:** sherlock  
**Description:** 2.00mm (.079") Pitch Sherlock™ Wire-to-Board Header, Right Angle, with Positive Lock, 2 Circuits, Lead-free, White, Glass-field

**Documents:**

[3D Model](#) [Product Specification PS-35507-004 \(PDF\)](#)  
[Drawing \(PDF\)](#) [RoHS Certificate of Compliance \(PDF\)](#)

**General**

Product Family	PCB Headers
Series	<a href="#">35363</a>
Application	Wire-to-Board
Overview	<a href="#">sherlock</a>
Product Name	Sherlock™

**Physical**

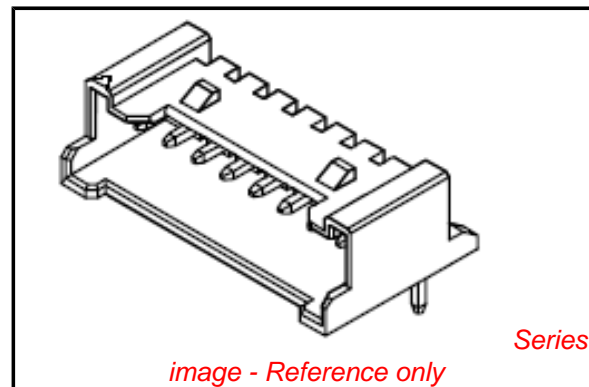
Breakaway	No
Circuits (Loaded)	2
Circuits (maximum)	2
Color - Resin	Natural
Durability (mating cycles max)	30
First Mate / Last Break	No
Glow-Wire Compliant	No
Guide to Mating Part	No
Keying to Mating Part	None
Lock to Mating Part	Yes
Material - Plating Mating	Tin
Material - Plating Termination	Tin
Material - Resin	Nylon
Number of Rows	1
Orientation	Right Angle
PC Tail Length (in)	0.126 In
PC Tail Length (mm)	3.20 mm
PCB Locator	No
PCB Retention	Yes
PCB Thickness Recommended (in)	0.062 In
PCB Thickness Recommended (mm)	1.60 mm
Packaging Type	Bag
Pitch - Mating Interface (in)	0.079 In
Pitch - Mating Interface (mm)	2.00 mm
Polarized to Mating Part	Yes
Polarized to PCB	No
Shrouded	Partial
Stackable	No
Surface Mount Compatible (SMC)	No
Temperature Range - Operating	-40°C to +105°C
Termination Interface: Style	Through Hole

**Electrical**

Current - Maximum per Contact	2A
Voltage - Maximum	125V

**Material Info**

**Reference - Drawing Numbers**



**EU RoHS**

**ELV and RoHS Compliant**

**REACH SVHC**

Not Reviewed

**Halogen-Free**

**Status**

**Not Halogen-Free**

**China RoHS**



**Need more information on product environmental compliance?**

Email [productcompliance@molex.com](mailto:productcompliance@molex.com)  
 For a multiple part number RoHS Certificate of Compliance, [click here](#)

Please visit the [Contact Us](#) section for any non-product compliance questions.

**Search Parts in this Series**

[35363Series](#)

**Mates With**

[35507 Sherlock™ Wire-to-Board Housing](#)

This document was generated on 05/24/2010

**PLEASE CHECK [WWW.MOLEX.COM](http://WWW.MOLEX.COM) FOR LATEST PART INFORMATION**

DWG. NO. SD-35363-003

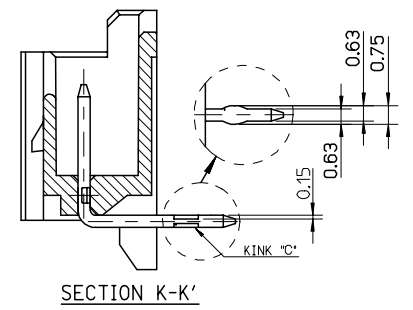
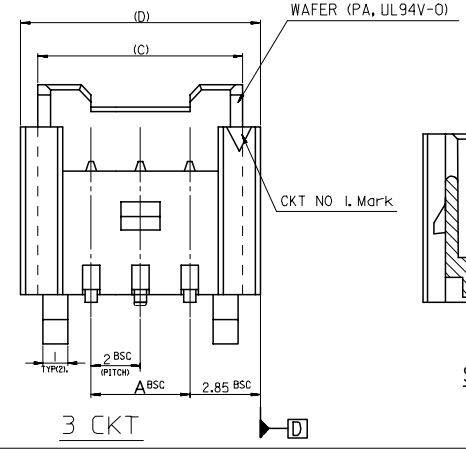
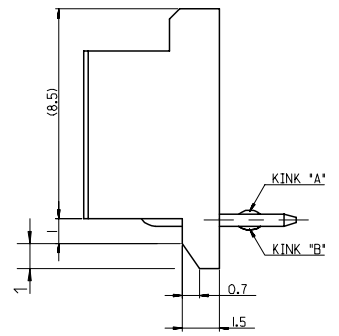
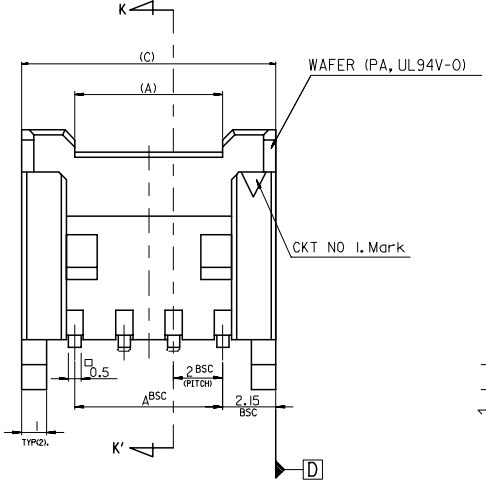
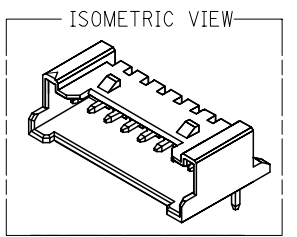
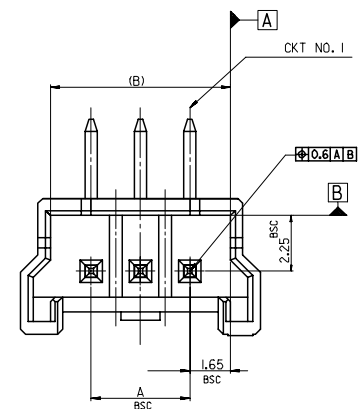
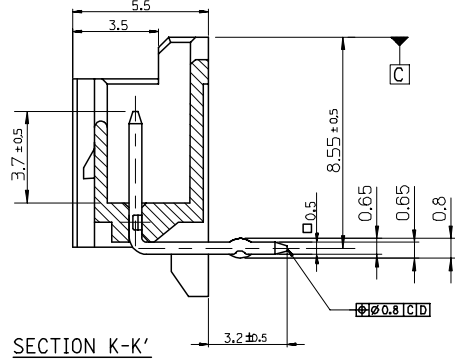
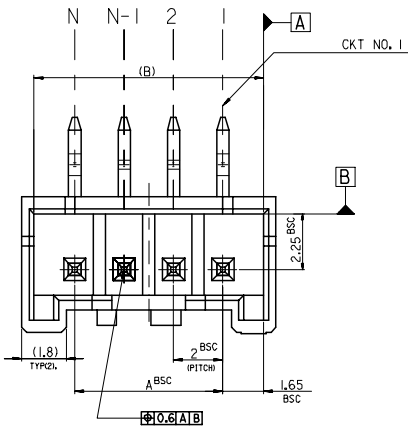
SIMILAR ITEM

PROJECT NO.

C

B

DO NOT SCALE DRAWING  
DIMENSION IN METRIC



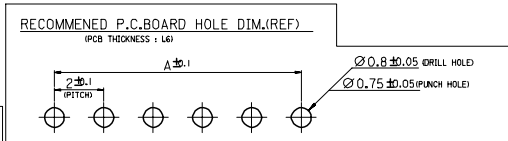
- NOTES**
- MATERIAL : WAFER : POLYAMIDE(PA), 20% GLASS FILLED, UL94V-0  
PIN : BRASS
  - FINISHES :  
TERMINAL: Sn 2to3 MICROMETER OVERALL
  - PRODUCT SPECIFICATION : PS-35507-003
  - MATING HOUSING : 35507-\*\*\*0\*  
MATING TERMINAL : 50212-8000
  - KINK

**LEGEND**

SD-35363-\*\*\*5\*

CKT NO. \_\_\_\_\_

0	NATURAL
1	BLACK
2	RED
3	YELLOW
4	BLUE
5	GREEN



—	16.3	15.3	12	353630750	35363-0750	7
—	14.3	13.3	10	353630650	35363-0650	6
—	10.3	9.3	6	353630450	35363-0450	4
9.7	8.3	7.3	4	353630350	35363-0350	3
7.7	6.3	5.3	2	353630250	35363-0250	2
(D)	(C)	(B)	A	MATERIAL NO.	ENG. NO.	CKT

CKT NO	1	2	3	4	5	N-2	N-1	N
CKT	—	A	B	—	—	B	A	—
6 CKT OVER	—	A	B	—	—	B	A	—
4 CKT	A	B	B	A				
3 CKT	A	B	A					
2 CKT	C	C						

30 over	±0.3
10 over 30 under	±0.25
10 under	±0.2
ANGLE	±3°
GENERAL TOLERANCE	

REVISED	EC NO. KGF2006-0110 DRWN: Y.R.KIM 06/03/08 CHK: Y.SOO.KIM APPR: SH-CHOI	DESCRIPTION	QUALITY SYMBOLS MAJOR = CRITICAL =	GENERAL TOLERANCES: (UNLESS SPECIFIED)
B				mm INCH 4 PLACES ±0. ±. 3 PLACES ±0. ±. 2 PLACES ±0. ±. 1 PLACE ±0. ±. ANGULAR: ±
DRAFT WHERE APPLICABLE MUST REMAIN WITHIN DIMENSIONS				SCALE 1:1 DESIGN UNITS <input checked="" type="checkbox"/> mm <input type="checkbox"/> INCH DRAWN BY & DATE Y.R.KIM 05/04/04 CHECKED BY & DATE Y.SOO.KIM APPROVED BY & DATE C.W.LEE CAD FILENAME SD-35363-003.mi

THIRD ANGLE PROJECTION		DIMENSIONS: <input type="checkbox"/> mm INCH <input type="checkbox"/> INCH <input type="checkbox"/> mm MMT <input checked="" type="checkbox"/> mm ONLY		SHT	REV
DRAWN BY & DATE Y.R.KIM 05/04/04		TITLE: NEW 2.0 W/B CONN WAFER ASSY (R/A)		REVISE ON CAD ONLY	
CHECKED BY & DATE Y.SOO.KIM		APPROVED BY & DATE C.W.LEE		MATERIAL NO. SEE NOTE	
DRAWING NO. SD-35363-003		SHEET NO. 1 OF 1		SIZE B	

THIS DRAWING CONTAINS INFORMATION THAT IS PROPRIETARY TO MOLEX INCORPORATED AND SHOULD NOT BE USED WITHOUT WRITTEN PERMISSION.

MX-A3