

PLEASE CHECK WWW.MOLEX.COM FOR LATEST PART INFORMATION

Part Number: [0387006305](#)
Status: **Active**
Description: 8.26mm (.325") Pitch Beau™ PCB Terminal Strip, without Mounting Ends, 5 Circuits

Documents:

[3D Model](#) [RoHS Certificate of Compliance \(PDF\)](#)
[Drawing \(PDF\)](#)

General

| | |
|----------------|-----------------------|
| Product Family | Terminal Blocks |
| Series | 38700 |
| Application | Wire-to-Board |
| Component Type | One Piece |
| Product Name | Fixed Mount Barrier |
| Type | Barrier Strip |

Physical

| | |
|--------------------------------|--------------------|
| Circuits (Loaded) | 5 |
| Circuits (maximum) | 5 |
| Entry Angle | Horizontal |
| Lock to Mating Part | None |
| Material - Metal | Brass |
| Material - Plating Mating | Tin |
| Material - Plating Termination | Tin |
| Number of Rows | 1 |
| Orientation | Horizontal |
| PC Tail Length (in) | 0.140 In |
| PC Tail Length (mm) | 3.56 mm |
| PCB Retention | None |
| Panel Mount | No |
| Pitch - Mating Interface (in) | 0.325 In |
| Pitch - Mating Interface (mm) | 8.26 mm |
| Pitch - Term. Interface (in) | 0.325 In |
| Pitch - Term. Interface (mm) | 8.25 mm |
| Plating min: Mating (µin) | 150 |
| Plating min: Mating (µm) | 3.75 |
| Plating min: Termination (µin) | 150 |
| Plating min: Termination (µm) | 3.75 |
| Polarized to Mating Part | No |
| Shrouded | Dual-Barrier |
| Stackable | Yes |
| Surface Mount Compatible (SMC) | No |
| Temperature Range - Operating | -40°C to +130°C |
| Termination Interface: Style | Through Hole |
| Wire Size AWG | 14, 16, 18, 20, 22 |
| Wire Size mm² | 0.50 - 1.50 |

Electrical

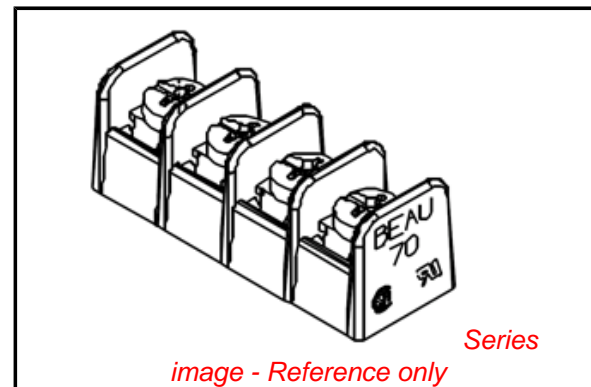
| | |
|-------------------------------|------|
| Current - Maximum per Contact | 15A |
| Voltage - Maximum | 300V |

Solder Process Data

| | |
|------------------------------|------------------------|
| Lead-free Process Capability | Wave Capable (TH only) |
|------------------------------|------------------------|

Material Info

| | |
|-----------------|---------|
| Old Part Number | 70505-C |
|-----------------|---------|



EU RoHS

**ELV and RoHS
Compliant**
REACH SVHC
 Not Reviewed
**Halogen-Free
Status**
Not Reviewed

China RoHS



**Need more information on product
environmental compliance?**

Email productcompliance@molex.com
 For a multiple part number RoHS Certificate of
 Compliance, [click here](#)

Please visit the [Contact Us](#) section for any
 non-product compliance questions.

Search Parts in this Series

[38700Series](#)

Mates With

N/A

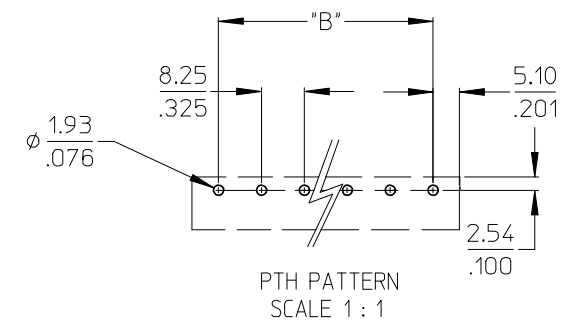
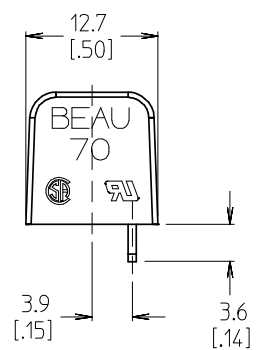
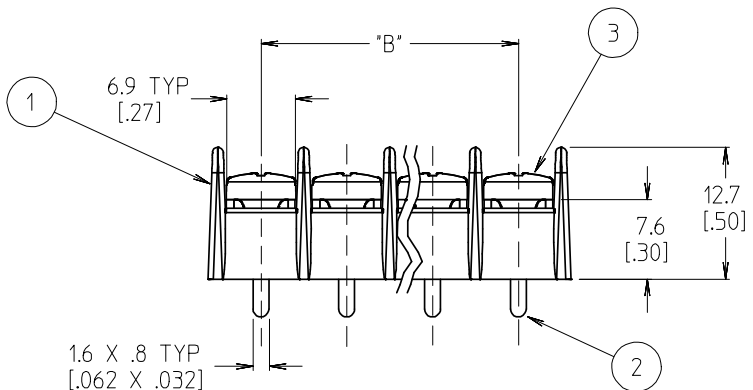
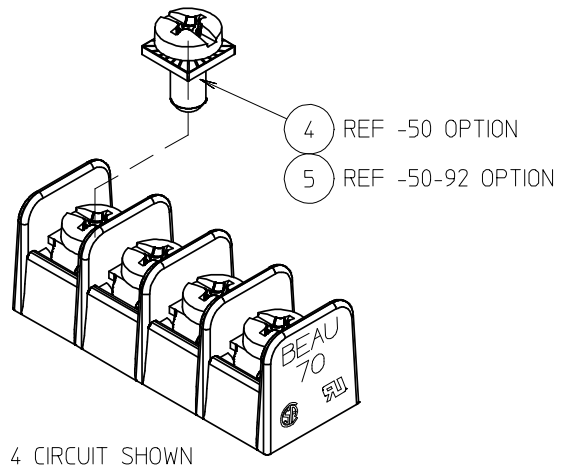
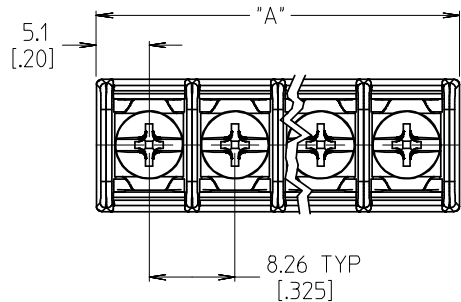
Reference - Drawing Numbers

Sales Drawing

SD-38700-001

This document was generated on 04/22/2010

PLEASE CHECK WWW.MOLEX.COM FOR LATEST PART INFORMATION



- NOTES:
1. MATERIAL: SEE TABLE.
 2. FINISHES: SEE TABLE.
 3. PRODUCT SPECIFICATION: NOT REQUIRED.
 4. INCH DIMENSIONS ARE SHOWN IN BRACKETS [XXX].
 5. "XX" REFERS TO THE QUANTITY OF CIRCUITS POSITIONS.
 6. MATERIAL NUMBER 387090319 IS THE SAME AS MATERIAL NUMBER 387007516, EXCEPT BY THE SPECIAL PACKING.
 7. ROHS COMPLIANT

| ITEM | QTY | DESCRIPTION | MATERIAL | FINISH |
|------|------|---|---------------|--------------------|
| 5 | "XX" | SCREW, #6-32, PAN HD, PH-SL, W/SQ WSHR (-50-92) | STEEL | ZN, NOKROM COATING |
| 4 | "XX" | SCREW, #6-32, PAN HD, PH-SL, W/SQ WSHR (-50) | STEEL | ZN, CLEAR CHROMATE |
| 3 | "XX" | SCREW, #6-32, PAN HD, PH-SL (STANDARD) | STEEL | ZN, CLEAR CHROMATE |
| 2 | "XX" | TERMINAL | BRASS | TIN |
| 1 | 1 | BARRIER | THERMOPLASTIC | BLACK |

ADD 1 CIRC. OPTION
 EC NO: WNA2008-0019
 DRAWN: JENCINAS 2008/01/23
 CHKD: CYORK 2008/01/24
 APPR: JMACNEIL 2008/01/24

QUALITY SYMBOLS

| GENERAL TOLERANCES (UNLESS SPECIFIED) | |
|--|--------------|
| | mm INCH |
| 4 PLACES | ± --- ± --- |
| 3 PLACES | ± --- ± .005 |
| 2 PLACES | ± 0.13 ± .01 |
| 1 PLACE | ± 0.3 ± --- |
| ANGULAR ± 2 ° | |
| DRAFT WHERE APPLICABLE MUST REMAIN WITHIN DIMENSIONS | |

| DIMENSION STYLE | |
|-----------------|------------|
| MM/IN | |
| DRAWN BY | DATE |
| R. KEMP | 2003/07/16 |
| CHECKED BY | DATE |
| R. STONE | 2003/07/16 |
| APPROVED BY | DATE |
| P. WALTZ | 2003/07/17 |
| MATERIAL NO. | |
| SEE CHART | |
| SIZE | B |

| SCALE | DESIGN UNITS | THIRD ANGLE PROJECTION |
|---|--------------|------------------------|
| 2:1 | INCH | |
| TITLE | | |
| 8.26/.325 SR BTS ASSY, PC, NO MTG ENDS | | |
| MOLEX INCORPORATED | | |
| DOCUMENT NO. | SHEET NO. | |
| SD-38700-001 | 1 OF 2 | |
| THIS DRAWING CONTAINS INFORMATION THAT IS PROPRIETARY TO MOLEX INCORPORATED AND SHOULD NOT BE USED WITHOUT WRITTEN PERMISSION | | |

| NUMBER OF CIRCUITS "XX" | DIM "A" | DIM "B" | STANDARD MATERIAL NO. | -50 OPTION MATERIAL NO. | -50-92 OPTION MATERIAL NO. | BARRIER MATERIAL NO. |
|-------------------------|--------------|----------------|-----------------------|-------------------------|----------------------------|----------------------|
| 01 | 10.2 [.40] | - | 387006301 | 387007501 | - | 387080034 |
| 02 | 18.5 [.73] | 8.26 [.325] | 387006302 | 387007502 | 387090370 | 387080035 |
| 03 | 26.9 [1.06] | 16.51 [.650] | 387006303 | 387007503 | - | 387080036 |
| 04 | 35.1 [1.38] | 24.77 [.975] | 387006304 | 387007504 | - | 387080037 |
| 05 | 43.2 [1.70] | 33.02 [1.300] | 387006305 | 387007505 | - | 387080038 |
| 06 | 51.2 [2.03] | 41.28 [1.625] | 387006306 | 387007506 | - | 387080039 |
| 07 | 59.7 [2.35] | 49.53 [1.950] | 387006307 | 387007507 | - | 387080040 |
| 08 | 68.1 [2.68] | 57.79 [2.275] | 387006308 | 387007508 | 387090371 | 387080041 |
| 09 | 76.2 [3.00] | 66.04 [2.600] | 387006309 | 387007509 | - | 387080042 |
| 10 | 84.6 [3.33] | 74.30 [2.925] | 387006310 | 387007510 | - | 387080043 |
| 11 | 92.7 [3.65] | 82.55 [3.250] | 387006311 | 387007511 | - | 387080044 |
| 12 | 101.0 [3.98] | 90.81 [3.575] | 387006312 | 387007512 | - | 387080045 |
| 13 | 109.2 [4.30] | 99.06 [3.900] | 387006313 | 387007513 | - | 387080046 |
| 14 | 117.5 [4.63] | 107.32 [4.225] | 387006314 | 387007514 | - | 387080047 |
| 15 | 125.7 [4.95] | 115.57 [4.550] | 387006315 | 387007515 | - | 387080048 |
| 16 | 134.0 [5.28] | 123.83 [4.875] | 387006316 | 387007516 | 387090368 | 387080049 |
| 17 | 142.2 [5.60] | 132.80 [5.200] | 387006317 | 387007517 | - | 387080050 |
| 18 | 150.5 [5.93] | 140.34 [5.525] | 387006318 | 387007518 | - | 387080051 |
| 19 | 158.8 [6.25] | 148.59 [5.850] | 387006319 | 387007519 | - | 387080052 |
| 20 | 167.0 [6.58] | 156.85 [6.175] | 387006320 | 387007520 | - | 387080053 |
| 21 | 175.3 [6.90] | 165.10 [6.500] | 387006321 | 387007521 | - | 387080054 |
| 22 | 183.5 [7.23] | 173.36 [6.825] | 387006322 | 387007522 | - | 387080055 |
| 23 | 191.8 [7.55] | 181.61 [7.150] | 387006323 | 387007523 | - | 387080056 |
| 24 | 200.0 [7.88] | 189.87 [7.475] | 387006324 | 387007524 | 387090372 | 387080057 |
| 25 | 208.3 [8.20] | 198.12 [7.800] | 387006325 | 387007525 | - | 387080058 |
| 26 | 216.5 [8.53] | 206.38 [8.125] | 387006326 | 387007526 | - | 387080059 |
| 27 | 224.8 [8.85] | 214.63 [8.450] | 387006327 | 387007527 | - | 387080060 |
| 28 | 233.0 [9.18] | 222.89 [8.775] | 387006328 | 387007528 | - | 387080061 |
| 29 | 241.3 [9.50] | 231.14 [9.100] | 387006329 | 387007529 | - | 387080062 |
| 30 | 249.6 [9.83] | 239.40 [9.425] | 387006330 | 387007530 | 387090373 | 387080063 |

MAT. #387090319 IS THE SAME AS 387007516 (SEE NOTE 6, SHEET #1)

| | | | | | | | |
|--|-----------------|---------------------------------------|--|---|--|--------------|------------------------|
| SEE SHEET 1 EC NO: WNA2008-0019 DRWN: ENCINAS 2008/01/23 CHKD: CYORK 2008/01/24 APPR: JMACNEIL 2008/01/24 REV DESCRIPTION | QUALITY SYMBOLS | GENERAL TOLERANCES (UNLESS SPECIFIED) | | DIMENSION STYLE | SCALE | DESIGN UNITS | THIRD ANGLE PROJECTION |
| | ▽=0 | | | MM/IN | 2:1 | INCH | |
| | ∇=0 | 4 PLACES | mm INCH | DRAWN BY DATE | TITLE | | |
| | | 3 PLACES | ± --- ± --- | R. KEMP 2003/07/16 | 8.26/.325 SR BTS ASSY, PC, NO MTG ENDS | | |
| | 2 PLACES | ± 0.13 ± .01 | CHECKED BY DATE | | | | |
| | 1 PLACE | ± 0.3 ± --- | R. STONE 2003/07/16 | | | | |
| | | ANGULAR ± 2 ° | APPROVED BY DATE | | | | |
| | | | P. WALTZ 2003/07/17 | MOLEX INCORPORATED | | | |
| | | | MATERIAL NO. | DOCUMENT NO. | | SHEET NO. | |
| | | | SEE CHART | SD-38700-001 | | 2 OF 2 | |
| | | | DRAFT WHERE APPLICABLE MUST REMAIN WITHIN DIMENSIONS | THIS DRAWING CONTAINS INFORMATION THAT IS PROPRIETARY TO MOLEX INCORPORATED AND SHOULD NOT BE USED WITHOUT WRITTEN PERMISSION | | | |