

**PLEASE CHECK WWW.MOLEX.COM FOR LATEST PART INFORMATION**

**Part Number:** [0783940002](#)  
**Status:** **Active**  
**Description:** 0.80mm(.031"), 1.27mm(.050") Micro SAS Plug, Right Angle, Straddle Mount, 0.76µm (30µ") Gold (Au) Plating, 25 Circuits, Halogen free, Lead free

**Documents:**

[Drawing \(PDF\)](#) [RoHS Certificate of Compliance \(PDF\)](#)  
[Product Specification PS-78394-001 \(PDF\)](#)

**Agency Certification**

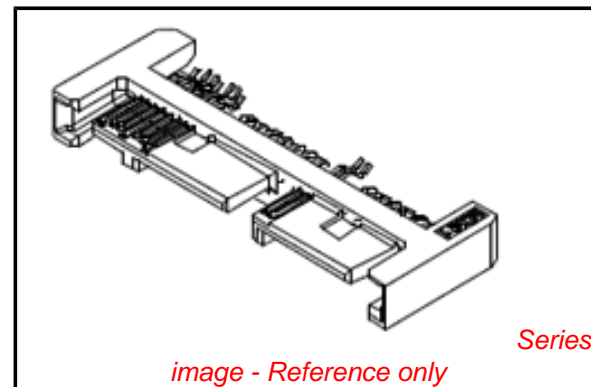
CSA LR19980  
 UL E29179

**General**

Product Family I/O Connectors  
 Series [78394](#)  
 Application Board-to-Board  
 Comments Housing plane is flush and without step  
 Component Type Plug  
 Product Name Micro SAS  
 Type N/A

**Physical**

Boot Color N/A  
 Circuits (Loaded) 25  
 Circuits (maximum) 25  
 Circuits Detail Signal 14, Power 9, Sideband 2  
 Color - Resin Black  
 Durability (mating cycles max) 500  
 Flammability 94V-0  
 Gender Male  
 Keying to Mating Part Yes  
 Lock to Mating Part None  
 Material - Metal Copper Alloy  
 Material - Plating Mating Gold  
 Material - Plating Termination Tin  
 Material - Resin High Temperature Thermoplastic  
 Number of Rows 2  
 Orientation Horizontal  
 PCB Locator No  
 PCB Retention Yes  
 PCB Thickness Recommended (in) 0.039 In  
 PCB Thickness Recommended (mm) 1.00 mm  
 Packaging Type Tray  
 Panel Mount Yes  
 Pitch - Mating Interface (in) 0.031 In, 0.050 In  
 Pitch - Mating Interface (mm) 0.80 mm, 1.27 mm  
 Plating min: Mating (µin) 30  
 Plating min: Mating (µm) 0.76  
 Plating min: Termination (µin) 100  
 Plating min: Termination (µm) 2.54  
 Polarized to Mating Part Yes  
 Polarized to PCB Yes  
 Ports 2  
 Temperature Range - Operating 0°C to +55°C  
 Termination Interface: Style Straddle Mount



*image - Reference only*

**EU RoHS**

**ELV and RoHS  
 Compliant**  
**REACH SVHC  
 Not Reviewed**  
**Halogen-Free  
 Status  
 Not Reviewed**

**China RoHS**



**Need more information on product  
 environmental compliance?**

Email [productcompliance@molex.com](mailto:productcompliance@molex.com)  
 For a multiple part number RoHS Certificate of Compliance, [click here](#)

Please visit the [Contact Us](#) section for any non-product compliance questions.

**Search Parts in this Series**

[78394Series](#)

**Mates With**

[78395](#) , [78396](#) , [78495](#) Micro SAS Receptacles

Waterproof / Dustproof	No
Wire Size AWG	N/A

**Electrical**

Current - Maximum per Contact	1.5A
Voltage - Maximum	30V

**Material Info**

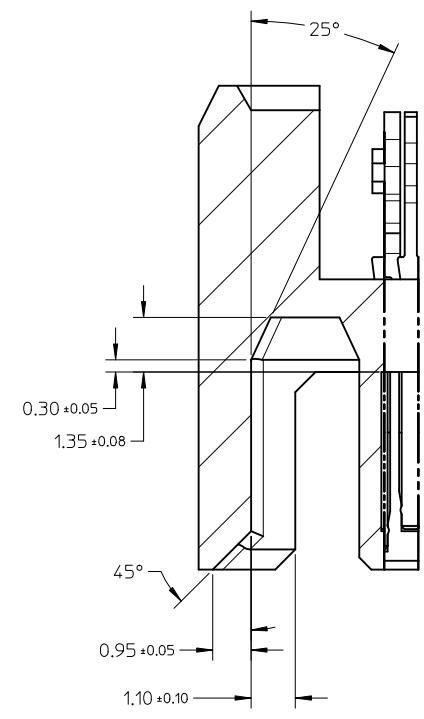
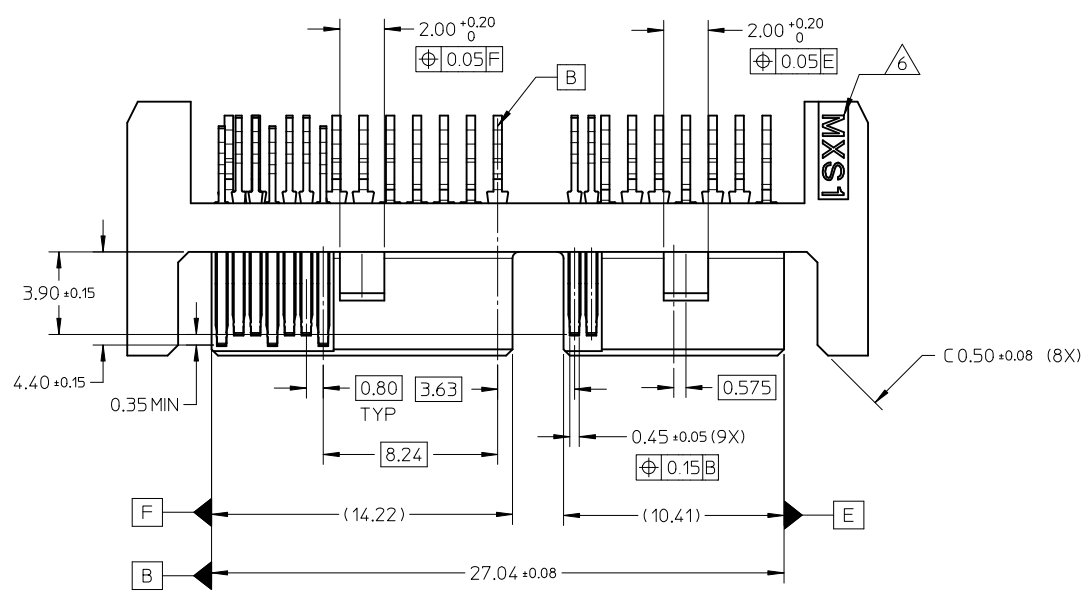
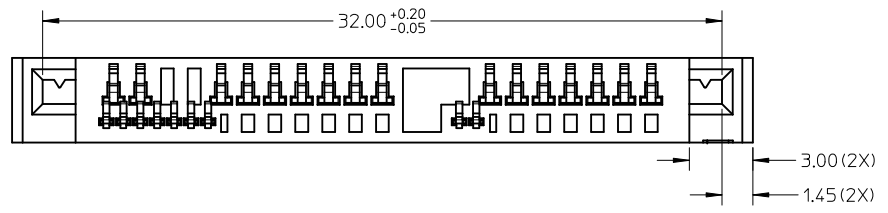
**Reference - Drawing Numbers**

Product Specification	PS-78394-001
Sales Drawing	SD-78394-002

This document was generated on 05/17/2010

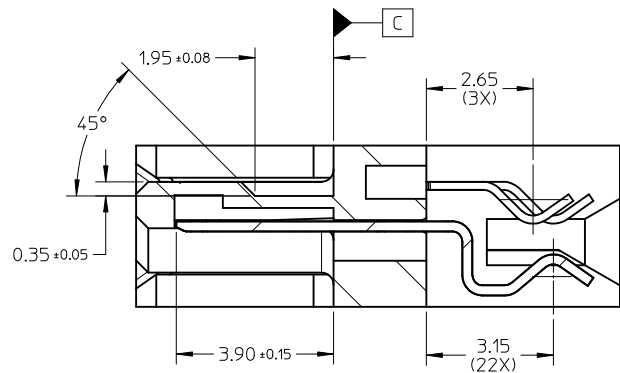
**PLEASE CHECK [WWW.MOLEX.COM](http://WWW.MOLEX.COM) FOR LATEST PART INFORMATION**



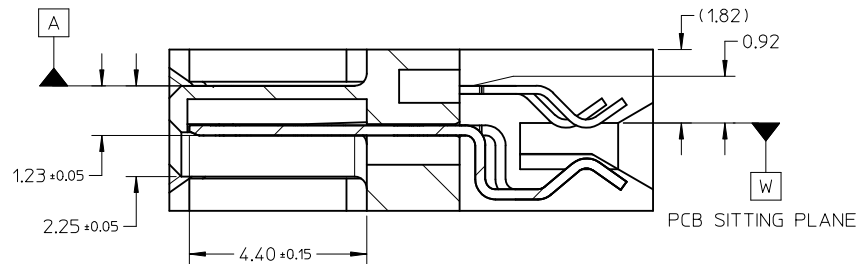


PARTIAL1  
OF SECTION Z-Z

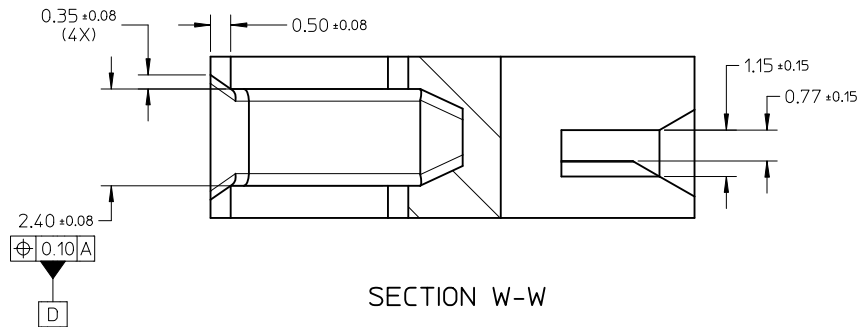
MXS SLOT CHANGED EC NO: S2010-0533 DRWN: JYAP 2010/01/04 CHKD: GMENARLY 2010/01/05 APPR: BOKOK 2010/01/06	QUALITY SYMBOLS	GENERAL TOLERANCES (UNLESS SPECIFIED)	DIMENSION STYLE	SCALE	DESIGN UNITS	THIRD ANGLE PROJECTION	
	$\nabla_A = 0$ $\nabla_C = 0$ $\nabla_F = 0$	mm    INCH 4 PLACES ± --- ± --- 3 PLACES ± --- ± --- 2 PLACES ± 0.20 ± --- 1 PLACE ± --- ± --- ANGULAR ± 3 °	MM ONLY	NTS	METRIC		
		DRAFT WHERE APPLICABLE MUST REMAIN WITHIN DIMENSIONS	DRAWN BY: GMENARLY CHECKED BY: CGOH APPROVED BY: BOKOK	DATE: 2009/07/24 DATE: 2009/08/06 DATE: 2009/08/06	TITLE: MICRO SAS PLUG RIGHT ANGLE STRADDLE MOUNT	MOLEX INCORPORATED	
	A1		MATERIAL NO. 78394-0002	DOCUMENT NO. SD-78394-002	SHEET NO. 2 OF 4		



SECTION Y-Y

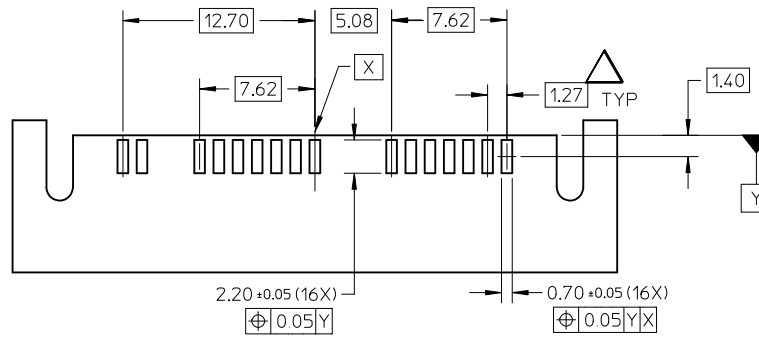
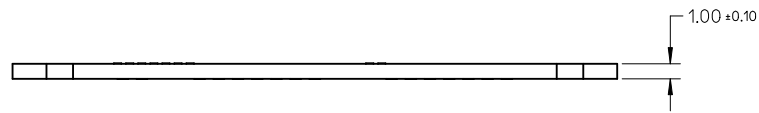
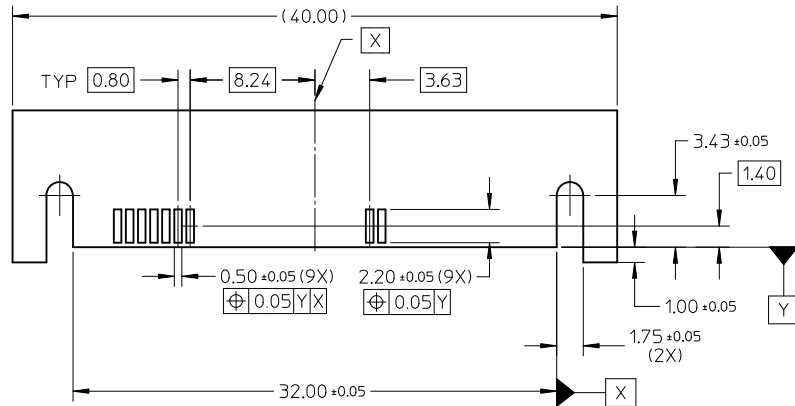


SECTION X-X



SECTION W-W

MXS SLOT CHANGED EC NO: S2010-0533 DRWN:WJAP 2010/01/04 CHKD:GMENARLY 2010/01/05 APPR:BOKOK 2010/01/06	QUALITY SYMBOLS	GENERAL TOLERANCES (UNLESS SPECIFIED)	DIMENSION STYLE	SCALE	DESIGN UNITS	THIRD ANGLE PROJECTION
	$F_A=0$ $F_C=0$ $F_P=0$	mm INCH 4 PLACES ± --- ± --- 3 PLACES ± --- ± --- 2 PLACES ± 0.20 ± --- 1 PLACE ± --- ± --- ANGULAR ± 3 °	MM ONLY	NTS	METRIC	
	DESCRIPTION	DRAFT WHERE APPLICABLE MUST REMAIN WITHIN DIMENSIONS	DRAWN BY	DATE	TITLE	
	REV		GMENARLY	2009/07/24	MICRO SAS PLUG RIGHT ANGLE STRADDLE MOUNT	
A1			CHECKED BY	DATE	MOLEX INCORPORATED DOCUMENT NO. SD-78394-002 SHEET NO. 3 OF 4	
			CGOH	2009/08/06		
			APPROVED BY	DATE	THIS DRAWING CONTAINS INFORMATION THAT IS PROPRIETARY TO MOLEX INCORPORATED AND SHOULD NOT BE USED WITHOUT WRITTEN PERMISSION	
			BOKOK	2009/08/06		
			MATERIAL NO.	78394-0002		



RECOMMENDED PCB LAYOUT

<b>MXS SLOT CHANGED</b> EC NO: S2010-0533 DRWN: JYAP 2010/01/04 CHKD: GMENARLY 2010/01/05 APPR: BOKOK 2010/01/06	QUALITY SYMBOLS $F_A=0$ $F_C=0$ $F_P=0$	GENERAL TOLERANCES (UNLESS SPECIFIED) mm INCH 4 PLACES ± --- ± --- 3 PLACES ± --- ± --- 2 PLACES ± 0.20 ± --- 1 PLACE ± --- ± --- ANGULAR ± 3 °	DIMENSION STYLE <b>MM ONLY</b> DRAWN BY DATE GMENARLY 2009/07/24 CHECKED BY DATE CGOH 2009/08/06 APPROVED BY DATE BOKOK 2009/08/06	SCALE NTS DESIGN UNITS METRIC THIRD ANGLE PROJECTION	TITLE MICRO SAS PLUG RIGHT ANGLE STRADDLE MOUNT MOLEX INCORPORATED
	DRAFT WHERE APPLICABLE MUST REMAIN WITHIN DIMENSIONS	MATERIAL NO. 78394-0002	DOCUMENT NO. SD-78394-002	SHEET NO. 4 OF 4	
	SIZE A3	THIS DRAWING CONTAINS INFORMATION THAT IS PROPRIETARY TO MOLEX INCORPORATED AND SHOULD NOT BE USED WITHOUT WRITTEN PERMISSION			
	REV A1				