

**PLEASE CHECK WWW.MOLEX.COM FOR LATEST PART INFORMATION**

**Part Number:** [1300060741](#)  
**Status:** **Active**  
**Overview:** [minichange\\_products](#)  
**Description:** Mini-Change® A-Size Single-Ended Cordset, Straight Female to Pigtail, 4 Poles, 4.57m (15.0' ) Length, Zinc Coupling Nut

**Documents:**

[Drawing \(PDF\)](#) [RoHS Certificate of Compliance \(PDF\)](#)

**Agency Certification**

CSA LR6837  
 UL E152210

**General**

Product Family Industrial Cordsets  
 Series [130006](#)  
 Comments A-Size (7/8" - 16 UN-2B)  
 Connector End A Mini-Change®  
 Connector End B Pigtail  
 IP Rating IP67  
 NEMA Rating NEMA 6  
 Overview [minichange\\_products](#)  
 Product Name Mini-Change®  
 Type Single Ended

**Physical**

Cable Diameter 10.67mm (.420")  
 Cable Length 4.57m (15.0' )  
 Color - Cable Jacket Yellow  
 Coupling Style Threaded  
 Gender Female-Pigtail  
 Keyway Single  
 LED Indicator No  
 Material - Cable Jacket PVC  
 Material - Connector Body PVC  
 Material - Contact Copper  
 Material - Coupling Nut Black Epoxy Coated Zinc  
 Material - Plating Mating Gold  
 Orientation Straight  
 Poles 4  
 Temperature Range - Operating -20°C to +105°C  
 Wire Size AWG 16  
 Wire/Cable Type ST00W

**Electrical**

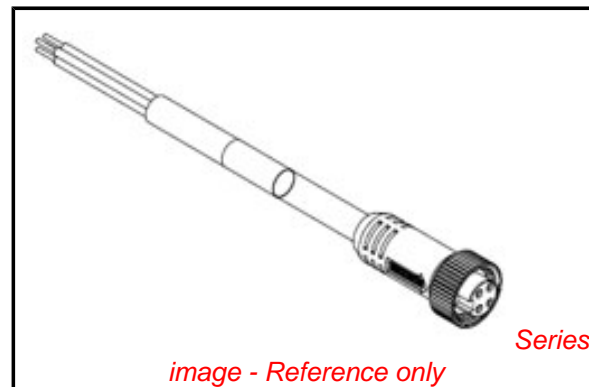
Current - Maximum per Contact 10A  
 Voltage - Maximum 600V

**Material Info**

Old Part Number 104000A01F150

**Reference - Drawing Numbers**

Sales Drawing SD-130006-010



**EU RoHS**

**RoHS Compliant by Exemption**  
**REACH SVHC Not Reviewed**  
**Halogen-Free Status Not Reviewed**

**China RoHS**



**Need more information on product environmental compliance?**

Email [productcompliance@molex.com](mailto:productcompliance@molex.com)  
 For a multiple part number RoHS Certificate of Compliance, [click here](#)

Please visit the [Contact Us](#) section for any non-product compliance questions.

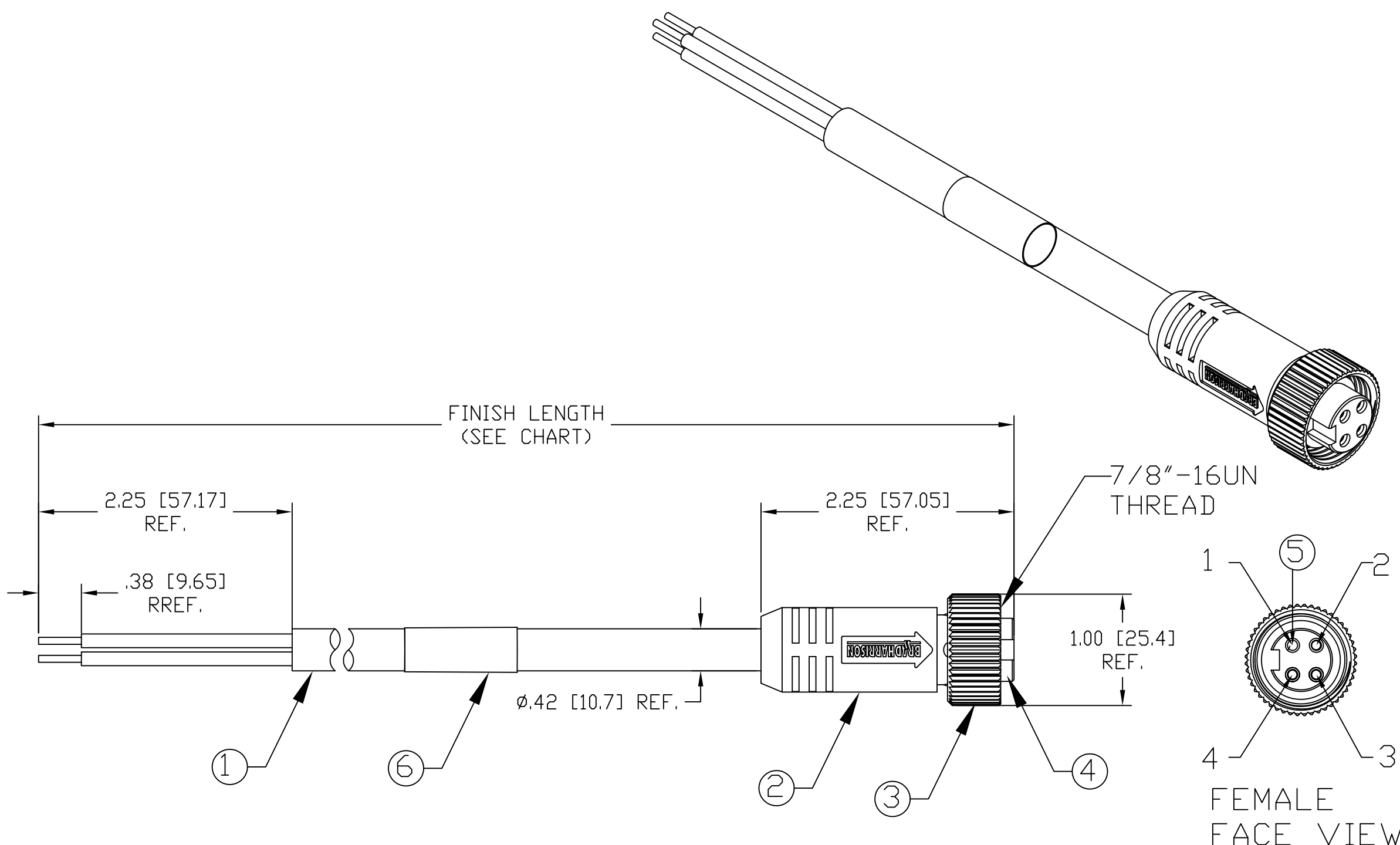
**Search Parts in this Series**  
[130006Series](#)

**PLEASE CHECK [WWW.MOLEX.COM](http://WWW.MOLEX.COM) FOR LATEST PART INFORMATION**

13	12	11	10	9	8	7	6	5	4	3	2	1
PART NUMBER	ENGINEERING NUMBER	FINISH LENGTH										
1300060725	104000A01F030	3.00' +1.75" -0 [.9M +44.5 -0]										
1300060728	104000A01F060	6.00' +2.19" -0 [1.8M +55.6 -0]										
1300060737	104000A01F120	12.00' +3.50" -0 [3.7M +88.9 -0]										
1300060741	104000A01F150	15.00' +6.50" -0 [4.6M +165.1 -0]										
1300060744	104000A01F200	20.00' +6.50" -0 [6.1M +165.1 -0]										
1300060748	104000A01F250	25.00' +12.50" -0 [7.6M +317.5 -0]										
1300060751	104000A01F300	30.00' +12.50" -0 [9.11M +317.5 -0]										

NOTE

- 1) MATERIAL: SEE TABLE
- 2) FINISHES: SEE TABLE
- 3) WRAP LABEL IS MARKED WITH P/N, DATE CODE, VOLTAGE & AMPERAGE
- 4) MATES WITH: MINI CHANGE, 4 POLE RECEPTACLE
- 5) ELECTRICAL DATA:  
 INLINE CORDSET  
 FEMALE A-SIZE WITH FLYING LEADS  
 16AWG UNSHIELDED  
 POLES: 4  
 MAX. VOLTAGE: 600V  
 MAX. CURRENT 10A  
 PROTECTION IP67  
 TEMPERATURE RANGE: -20°C TO 105°C
- 6) PACKAGING:  
 CABLE ASSEMBLIES ARE BAGGED SEPERATELY  
 IN POLY BAGS WITH BAR CODE LABEL ATTACHED  
 TO OUTSIDE OF BAG.
- 7) ASSEMBLY IS RoHS COMPLIANT.
- 8) CERTIFICATION  
 UL RECOGNIZED, FILE NO. E152210  
 CSA CERTIFIED, FILE NO. LR6837



P1

1	BLACK
2	WHITE
3	RED
4	GREEN/YELLOW-GND

WIRING DIAGRAM

ITEM	QTY.	DESCRIPTION	MATERIAL	FINISH
6	1	LABEL	PLASTIC FILM	BLACK/YELLOW
5	4	CONTACT SOCKET	COPPER ALLOY	GOLD PLATED
4	1	INSERT	PVC	YELLOW
3	1	COUPLING NUT	ZINC DIE CAST	BLACK E-COATED
2	1	OVERMOLD	PVC	YELLOW
1	1	CABLE, 16AWG-4 TYPE ST00W	PVC	YELLOW

RELEASE EC NO: WNA2010-0397 DRWN: BWOODMAN 12/22/09 CH'KD: --- APPR: JFMURPHY 2010/01/05	DESCRIPTION REV	<b>QUALITY SYMBOL</b> ▽=0 ◻=0	<b>GENERAL TOLERANCES (UNLESS SPECIFIED)</b> <table border="1"> <tr> <th></th> <th>mm</th> <th>INCH</th> </tr> <tr> <td>4 PLACES</td> <td>±---</td> <td>±---</td> </tr> <tr> <td>3 PLACES</td> <td>±.005</td> <td>±.005</td> </tr> <tr> <td>2 PLACES</td> <td>±.013</td> <td>±.010</td> </tr> <tr> <td>1 PLACE</td> <td>±.025</td> <td>±.020</td> </tr> </table>		mm	INCH	4 PLACES	±---	±---	3 PLACES	±.005	±.005	2 PLACES	±.013	±.010	1 PLACE	±.025	±.020	<b>DIMENSION STYLE</b> IN/MM DRAWN BY: TWOLDEGE DATE: 2009/07/10 CHECKED BY: BWOODMAN DATE: 2009/07/10 APPROVED BY: JFMURPHY DATE: 2010/01/05	SCALE: 1:1 DESIGN UNITS: INCH THIRD ANGLE PROJECTION
			mm	INCH																
		4 PLACES	±---	±---																
		3 PLACES	±.005	±.005																
2 PLACES	±.013	±.010																		
1 PLACE	±.025	±.020																		
DRAFT WHERE APPLICABLE MUST REMAIN WITHIN DIMENSIONS			MATERIAL NO.: SEE CHART SIZE: C	TITLE: MINI CHANGE ASSEMBLY 4-POLE FEMALE ST 16/4AWG PVC MOLEX INCORPORATED																
			DOCUMENT NO.: SD-130006-010 SHEET NO.: 1 OF 1																	
THIS DRAWING CONTAINS INFORMATION THAT IS PROPRIETARY TO MOLEX INCORPORATED AND SHOULD NOT BE USED WITHOUT WRITTEN PERMISSION																				