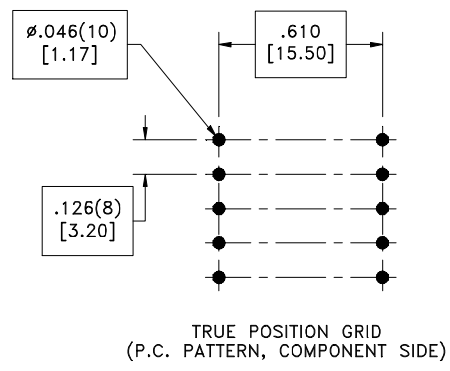
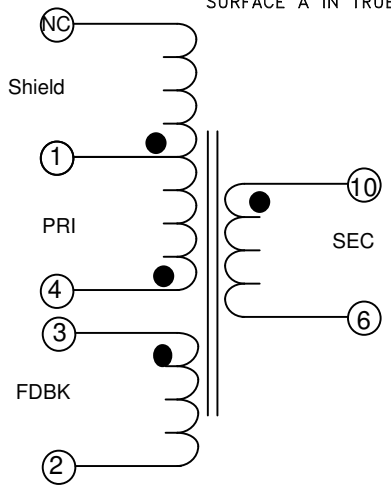
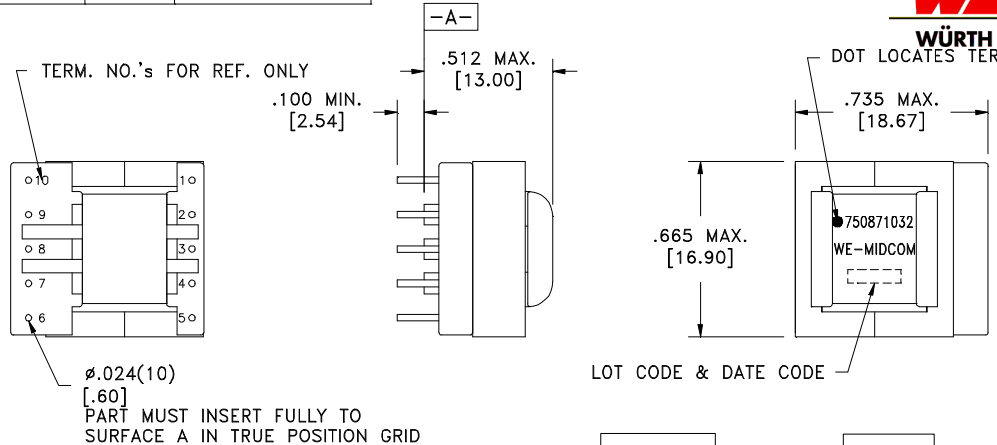
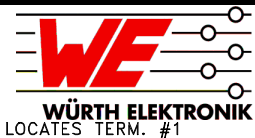


CUSTOMER TERMINAL	RoHS	LEAD(Pb)-FREE
Sn96%, Ag4%	Yes	Yes



ELECTRICAL SPECIFICATIONS @ 25°C unless otherwise noted:

D.C. RESISTANCE (@20°C):	1-4 , 2.15 Ohms max. 2-3 , 0.050 Ohms max. 6-10 , 0.14 Ohms max.
DIELECTRIC RATING:	3000VAC, 1 minute tested by applying 3750VAC for 1 second between pins 4-10(1+3).
INDUCTANCE:	1.55 mH \pm 10%, 66kHz, 100mVAC, 0mADC, 1-4, Ls.
LEAKAGE INDUCTANCE:	50.0 μ H max., 100kHz, 100mVAC, 1-4(2+3,6+10), Ls. 25.0 μ H typ., 100kHz, 100mVAC, 1-4(2+3,6+10), Ls.
TURNS RATIO:	(4-1):(10-6) , (7.142):(1.00) , \pm 1%. (4-1):(3-2) , (7.692):(1.00) , \pm 1%.
RESONANT FREQUENCY:	500kHz min.

WE-Midcom, Inc.
Watertown, SD USA
Toll Free: 800-643-2661
Fax: 605-886-4486

Unless otherwise specified, tolerances are as follows:
Angles: \pm 1° Fractions: \pm 1/64
Decimals: \pm .005(.127mm)

Drawing Title
Transformer

Revisions: See Sheet 1

WE-Midcom, Inc.

Drawing Number	Rev.
750871032	00
Scale ----	Sheet 2 of 5