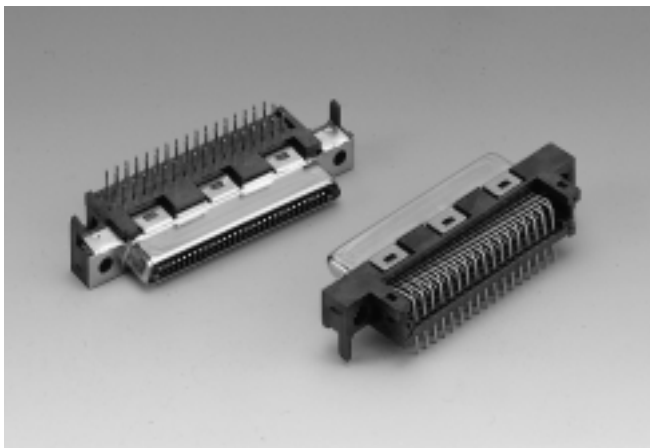


0.8mm PITCH SCSI IV CONNECTOR (BOARD SIDE)

(FEMALE R/A DIP TYPE)

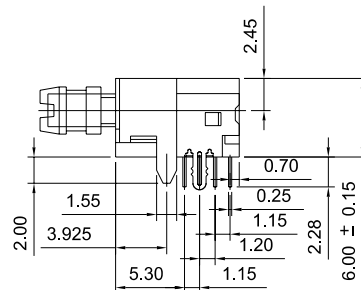
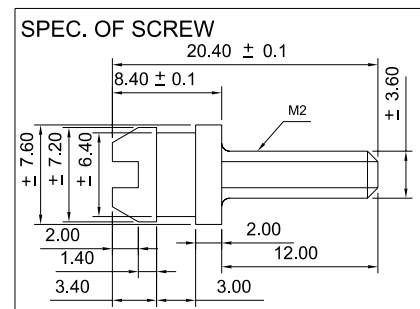
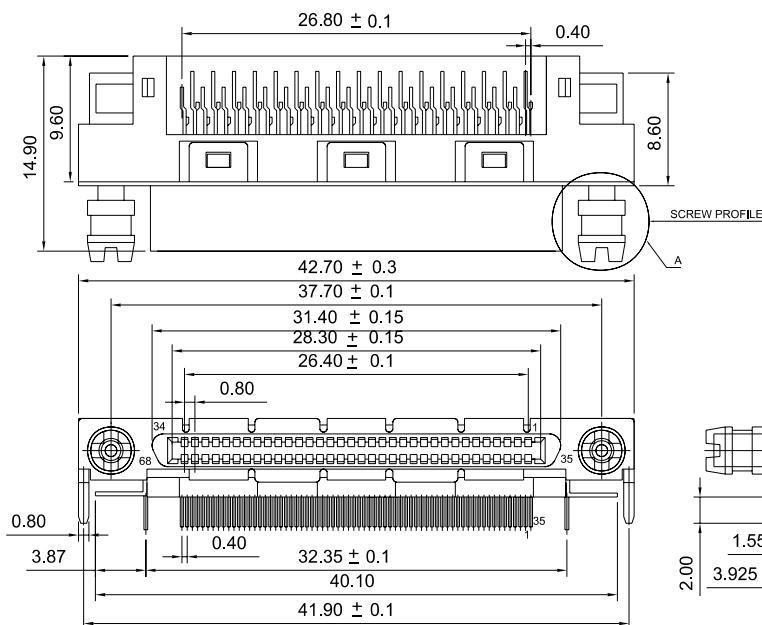


800216FR Series

Mates with *SUYIN 800217MC Series*

Specifications:

- **Insulator Material** : High Temp. Plastic
- **Operating Temp. Range** : -40°C to +105°C
- **Terminal Material** : Phosphor Bronze
- **Plating** : Gold Plating
- **Max. Current Rating** : 0.5A
- **Voltage Rating** : 100V AC
- **Dielectric Strength** : 500V (Min. 60 Seconds)



Order Information

800216FR068S500ZU
 1 2 3 4 5

1. 'R' : Right Angle Dip Type
 2. No. of Pins
 3. Plating
 'S5' : 30u" selstive gold in contact area
 /min. 100u"tin solder area
 4. Color 'Z' : Black
 5. Package
 'U' : Tube Package Without CAP
- Reference Page 11

Recommended P.C.B Layout

